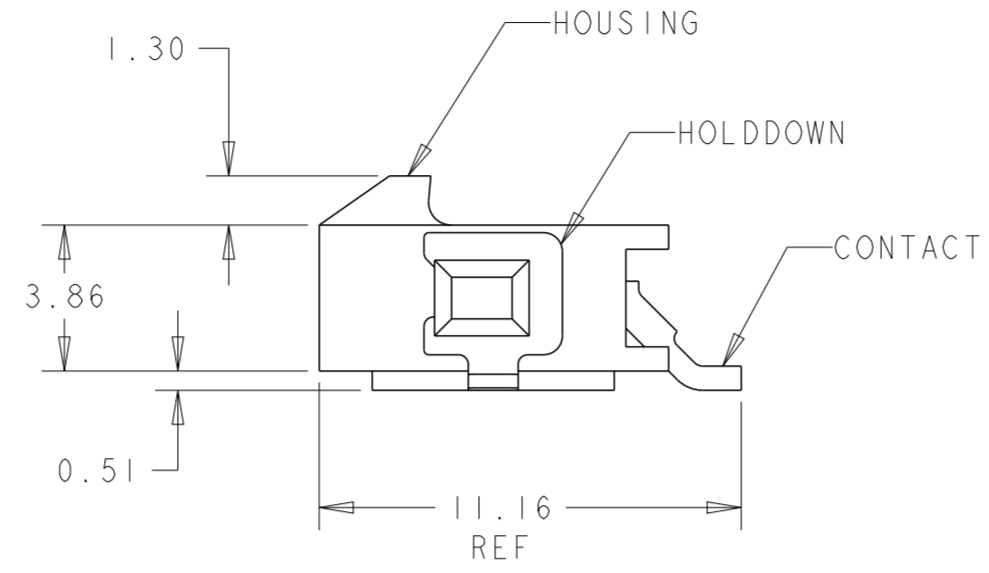
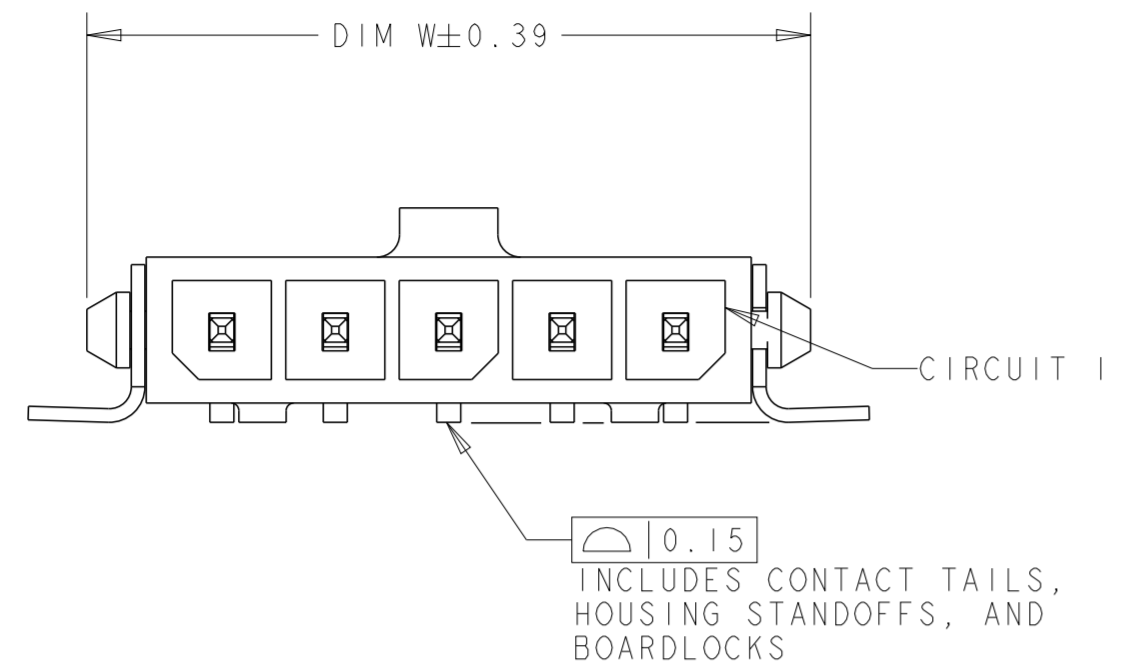
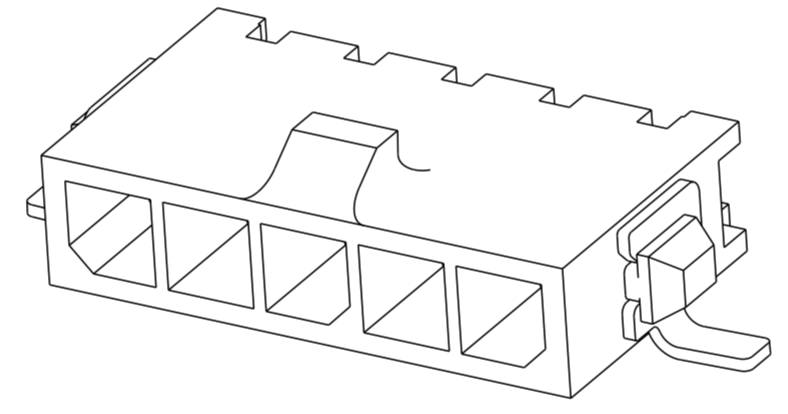
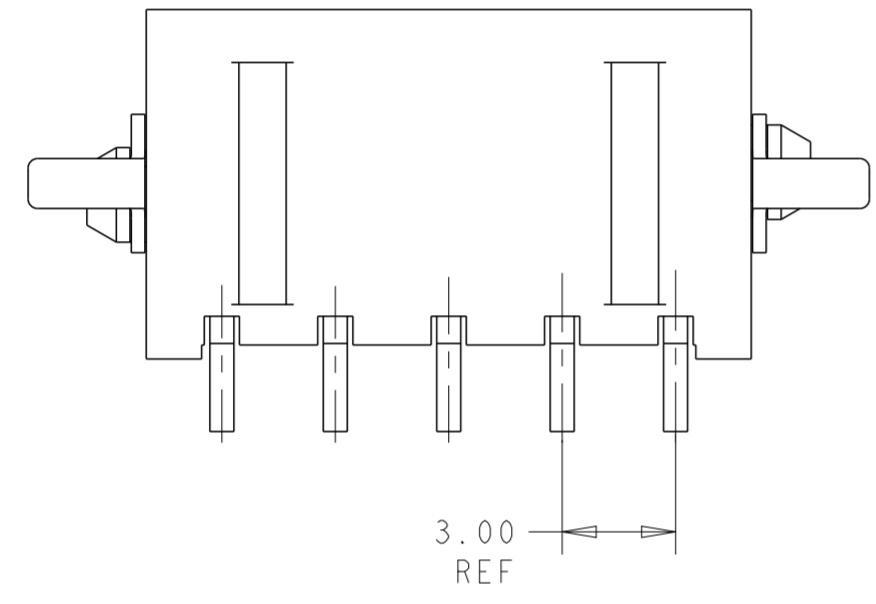


THIS DRAWING IS UNPUBLISHED. RELEASED FOR PUBLICATION 20
 © COPYRIGHT 20 BY - ALL RIGHTS RESERVED.

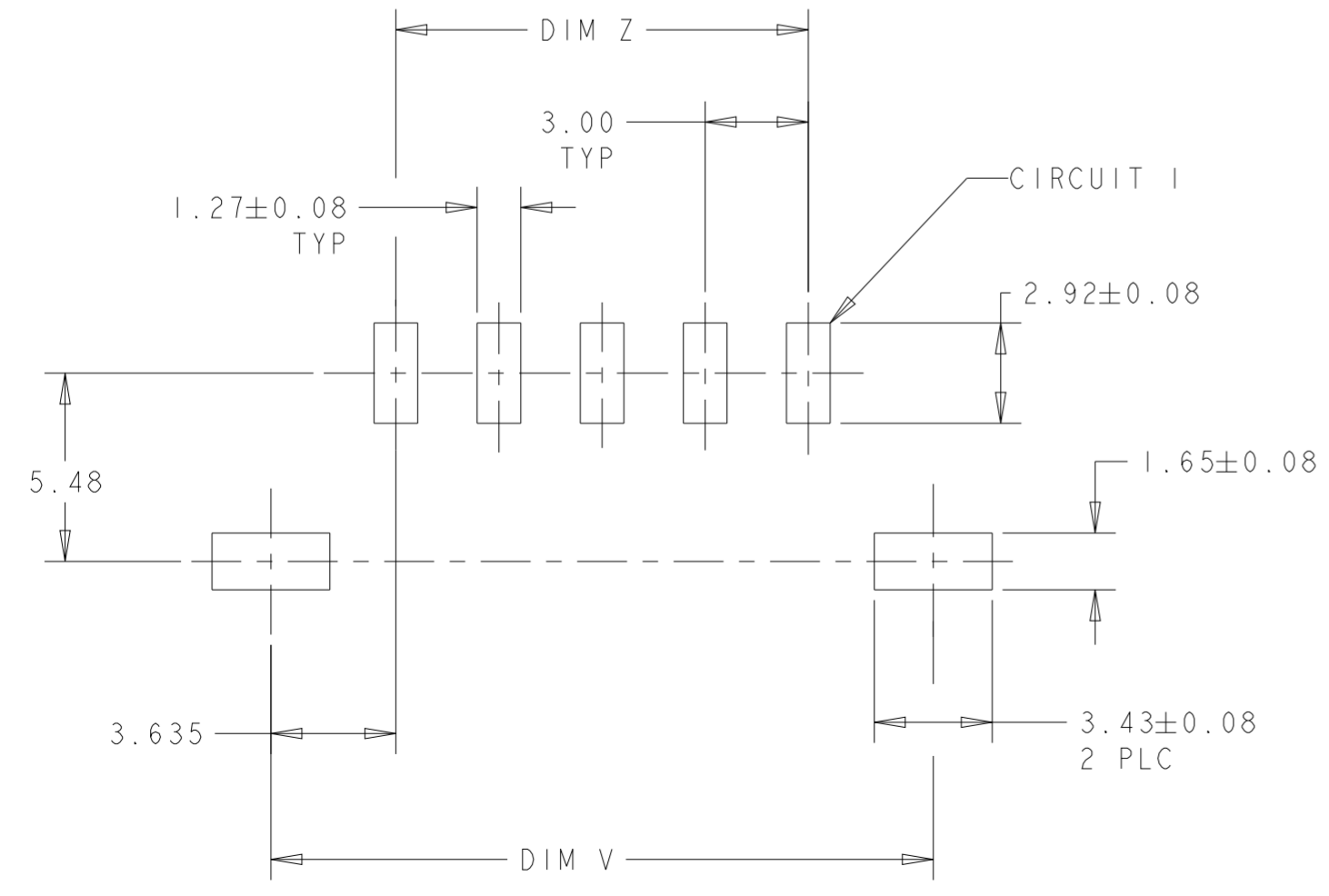
REVISIONS					
P	LTR	DESCRIPTION	DATE	DWN	APVD
	B2	REVISED PER ECR-16-011494	20JUN2017	NK	CX



- 1 MATERIAL: CONTACTS - BRASS
HOUSING - UL 94V-0 RATED HIGH TEMP NYLON, COLOR BLACK.
HOLDDOWNS: - PHOSPHOR BRONZE.
- 2 PLATING: CONTACTS - 0.38µm MINIMUM GOLD ON MATING END, 2.54µm MINIMUM TIN LEAD ON SOLDER TAILS, BOTH OVER 1.27µm MINIMUM NICKEL.
HOLDDOWNS: 2.54µm MINIMUM TIN-LEAD OVER 1.27µm MINIMUM NICKEL.
- 4 RECOMMENDED PC BOARD THICKNESS OF 1.57.
- 5 PLATING: CONTACTS - 0.38µm MINIMUM GOLD ON MATING END, 2.54µm MINIMUM MATTE TIN ON SOLDER TAILS, BOTH OVER 1.27µm MINIMUM NICKEL.
HOLDDOWNS: 2.54µm MINIMUM MATTE TIN OVER 1.27µm MINIMUM NICKEL.



FINISH	DIM Z	DIM V	DIM W	NO. OF POSN	PART NUMBER
5	33.00	40.41	40.00	12	3-1445091-2
5	30.00	37.41	37.00	11	3-1445091-1
5	27.00	34.41	34.00	10	3-1445091-0
5	24.00	31.41	31.00	9	2-1445091-9
5	21.00	28.41	28.00	8	2-1445091-8
5	18.00	25.41	25.00	7	2-1445091-7
5	15.00	22.41	22.00	6	2-1445091-6
5	12.00	19.41	19.00	5	2-1445091-5
5	9.00	16.41	16.00	4	2-1445091-4
5	6.00	13.41	13.00	3	2-1445091-3
5	3.00	10.41	10.00	2	2-1445091-2
2	33.00	40.41	40.00	12	1445091-2
2	30.00	37.41	37.00	11	1445091-1
2	27.00	34.41	34.00	10	1445091-0
2	24.00	31.41	31.00	9	1445091-9
2	21.00	28.41	28.00	8	1445091-8
2	18.00	25.41	25.00	7	1445091-7
2	15.00	22.41	22.00	6	1445091-6
2	12.00	19.41	19.00	5	1445091-5
2	9.00	16.41	16.00	4	1445091-4
2	6.00	13.41	13.00	3	1445091-3
2	3.00	10.41	10.00	2	1445091-2



PCB LAYOUT COMPONENT SIDE 4

- SUPERSEDED BY 3-1445091-2
- SUPERSEDED BY 3-1445091-1
- SUPERSEDED BY 3-1445091-0
- SUPERSEDED BY 2-1445091-9
- SUPERSEDED BY 2-1445091-8
- SUPERSEDED BY 2-1445091-7
- SUPERSEDED BY 2-1445091-6
- SUPERSEDED BY 2-1445091-5
- SUPERSEDED BY 2-1445091-4
- SUPERSEDED BY 2-1445091-3
- SUPERSEDED BY 2-1445091-2

THIS DRAWING IS A CONTROLLED DOCUMENT.

DWN J.ROOT 09OCT2000
 CHK K.WHITAKER 17-APR-2001
 APVD C.JONES 17-APR-2001

TE Connectivity

RIGHT ANGLE SURF MOUNT HEADER ASSY, 0.38 MIC GOLD CONTACTS, W/SURF MNT, HOLDDONWS, SGL ROW, MICRO MATE-N-LOK™

SIZE A2 CAGE CODE 00779 DRAWING NO C-1445091

SCALE 5:1 SHEET 1 OF 1 REV B2

MATERIAL SEE TABLE

PRODUCT SPEC - APPLICATION SPEC - WEIGHT -

CUSTOMER DRAWING

Mouser Electronics

Authorized Distributor

Click to View Pricing, Inventory, Delivery & Lifecycle Information:

[TE Connectivity:](#)

[1445091-6](#)