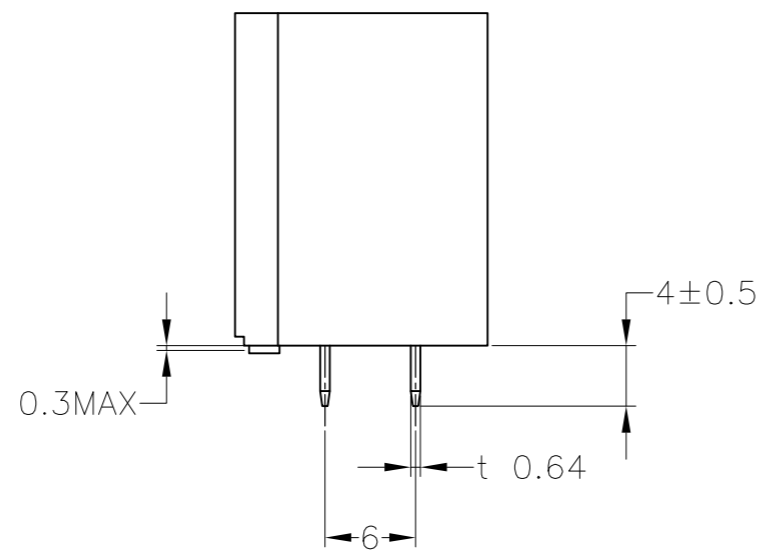
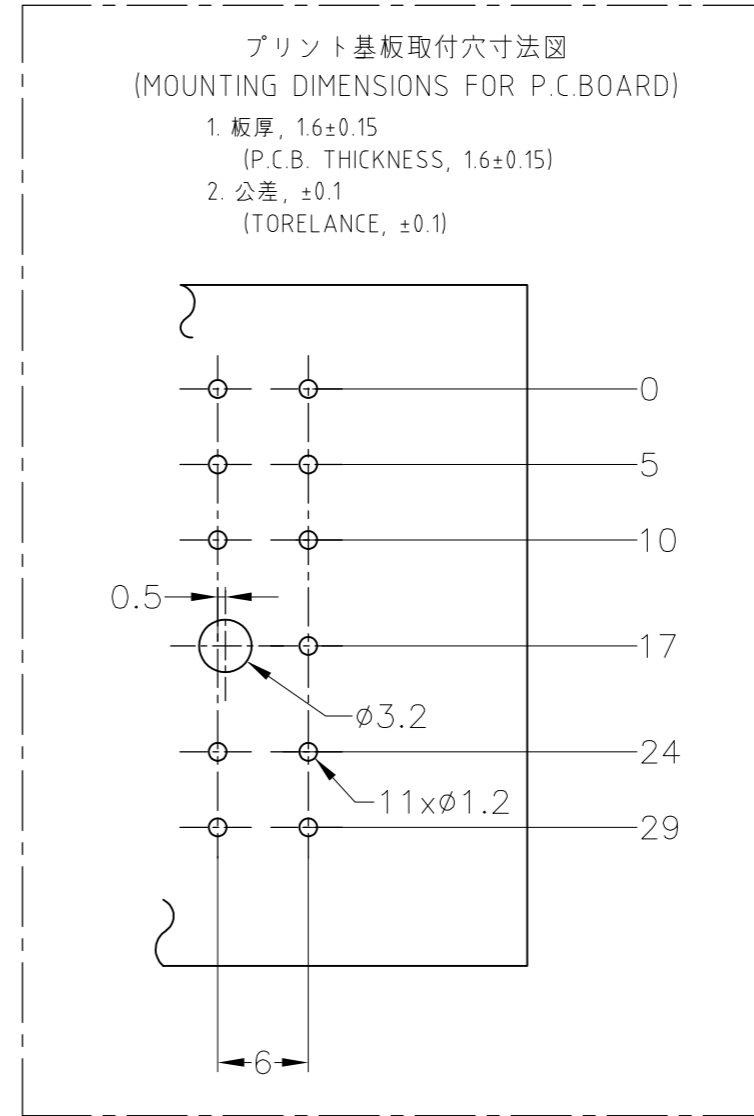
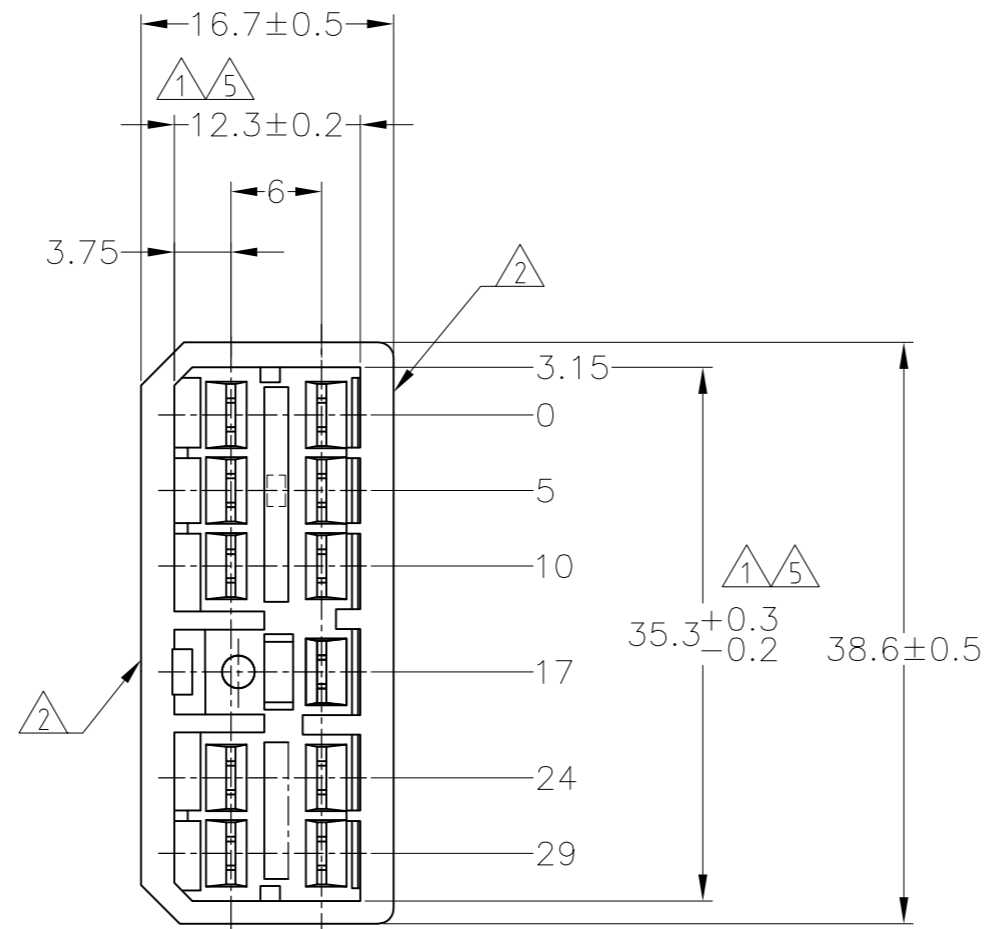
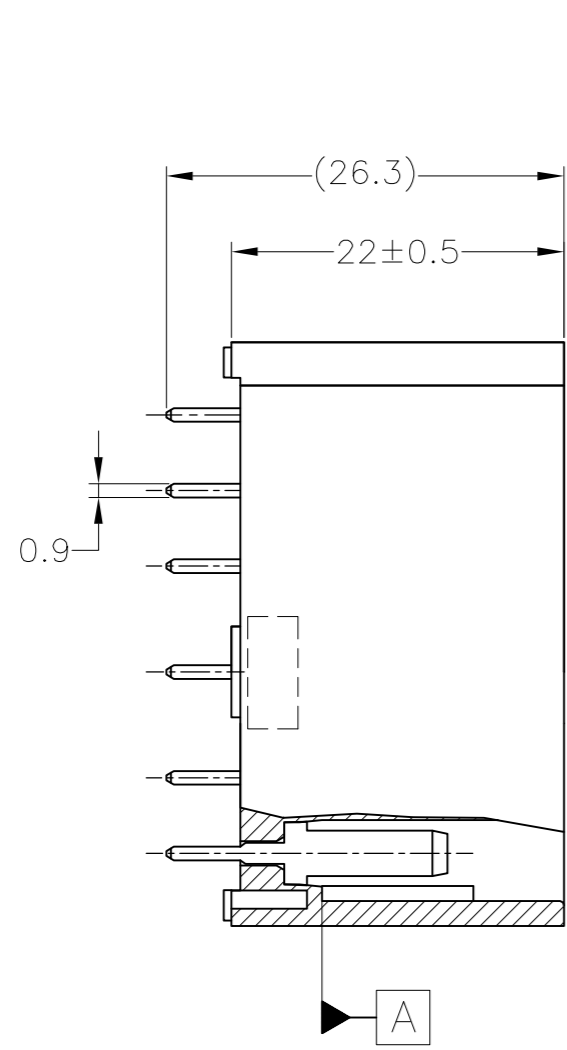


REVISIONS					
P	LTR	DESCRIPTION	DATE	DWN	APVD
F4		OBSOLETE 1--1	ECR-16-003004	01APR2016	KF RK



- 1. 相手ハウジングと所定の機能を満たして嵌合できること。
- 2. フードの反りは0.2以内。
- 3. 推奨取付ねじ: JIS B 1115 又は、1122 タッピンねじ  
なべ1種, 呼び径3を使用し、締め付け後半田付けする。  
(締め付けトルク: 0.4N-m 以下)
- 4. 適用製品規格: 108-5093
- 5. [A] 面より2mmの範囲で測定。
- 6. 相手ハウジングとの嵌合力は、29.4N以下。  
但し、リセプタクル コンタクトは含まない。

- 1. IN COUPLING WITH THE PLUG HOUSING MATING SATISFIES FUNCTION.
- 2. WARPAGE 0.2 MAX.
- 3. RECOMMENDED MOUNTING SCREW: 3mm DIA,  
PAN HEAD, CLASS 1 TAPPING SCREW SPECIFIED IN JIS  
B1115, B1122 (TORQUE; 0.4N-m MAX.)
- 4. PRODUCT SPECIFICATION: 108-5093
- 5. TO BE MEASURED WITHIN 2mm FROM [A]
- 6. IN COUPLING WITH THE PLUG HOUSING MATING FORCE  
29.4N MAX. WITHOUT RECEPTACLE CONTACTS.

SELECTIVE-TIN (MATTE)	SELECTIVE GOLD	NATURAL	1-5172034-1	
SEE CUSTOMER DRAWING 8-172034-1			8-172034-1	
PRE-TIN		NATURAL	5-172034-4	
PRE-TIN		NATURAL	4-172034-1	
OBSOLETE	TIN-LEAD	SELECTIVE GOLD	GREEN	2-172034-4
OBSOLETE	TIN-LEAD	SELECTIVE GOLD	NATURAL	2-172034-1
OBSOLETE	TIN-LEAD	SELECTIVE GOLD	GREEN	1-172034-4
OBSOLETE	TIN-LEAD	SELECTIVE GOLD	NATURAL	1-172034-1
PRE-TIN		YELLOW	172034-7	
PRE-TIN		GRAY	172034-6	
PRE-TIN		BLUE	172034-5	
OBSOLETE	PRE-TIN	GREEN	172034-4	
PRE-TIN		BROWN	172034-3	
PRE-TIN		BLACK	172034-2	
PRE-TIN		NATURAL	172034-1	
SOLDERING SIDE 半田付け部	CONTACT SIDE 接触部側	COLOR 色	PART NUMBER 製品型番	
CONTACT FINISH コンタクト仕上				

TOLERANCE UNLESS OTHERWISE SPECIFIED:  
一般公差

0 < x ≤ 10 : ±0.2  
10 < x ≤ 30 : ±0.25  
30 < x ≤ 100 : ±0.3  
ANGLE : ±3°  
角度

THIS DRAWING IS A CONTROLLED DOCUMENT.

DIMENSIONS: mm

TOLERANCES UNLESS OTHERWISE SPECIFIED:

0 PLC	±
1 PLC	± -
2 PLC	± -
3 PLC	± -
4 PLC	± -
ANGLES	± -

MATERIAL: HOUSING: 66NYLON  
TAB CONTACT: BRASS

FINISH: SEE TABLE

APPROVALS:

DWN	K.YUASA	7/21'92
CHK	K.YUASA	7/21'92
APVD	A.TOMITA	7/21'92

PRODUCT SPEC: SEE NOTE 4  
APPLICATION SPEC: -

WEIGHT: 0

CUSTOMER DRAWING

TE Connectivity

MULTI-INTERLOCK CONNECTOR  
11P VERTICAL TYPE CAP HOUSING ASSEMBLY

SIZE: A2 CAGE CODE: 00779 DRAWING NO: C=172034

RESTRICTED TO: -

SCALE: 2:1 SHEET: 1 OF 1 REV: F4

# Mouser Electronics

Authorized Distributor

Click to View Pricing, Inventory, Delivery & Lifecycle Information:

[TE Connectivity:](#)

[172034-1](#)