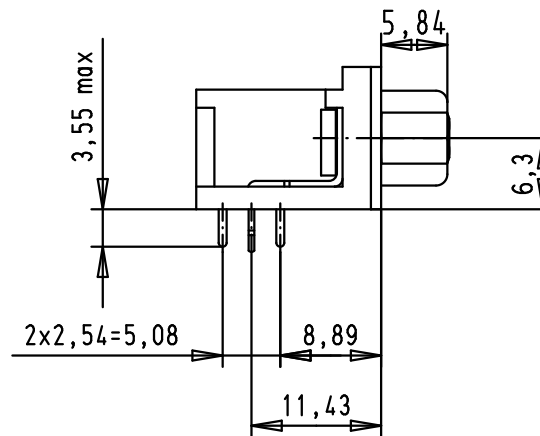
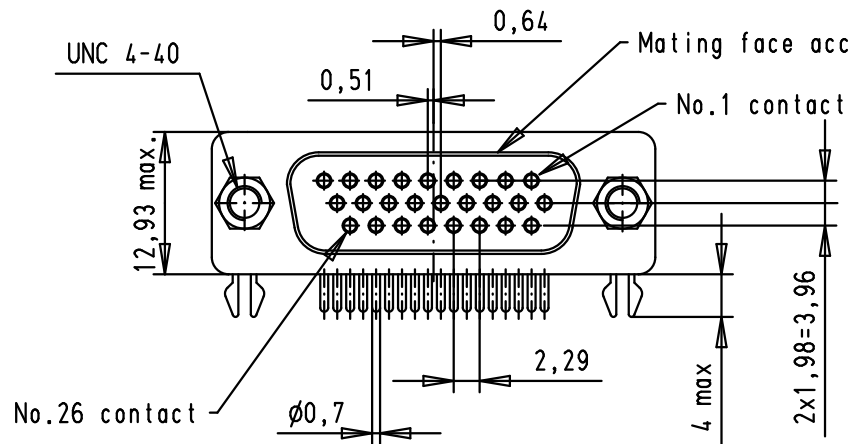
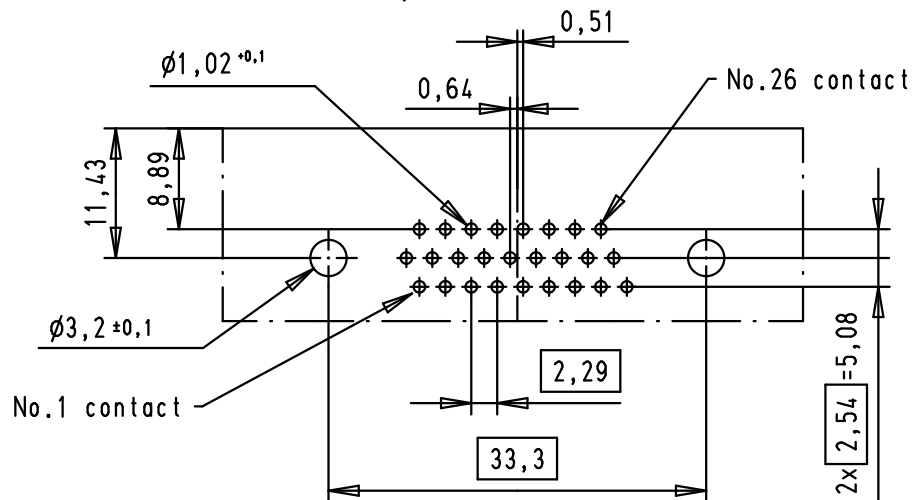
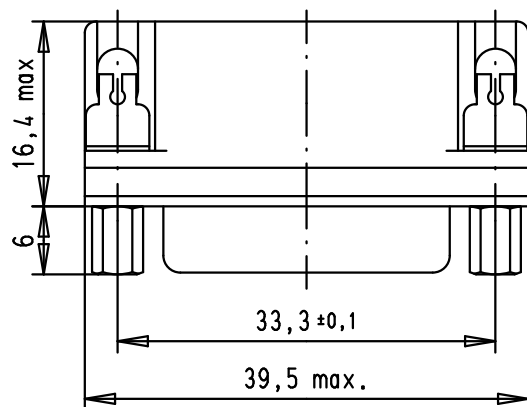




5 4 3 2 1



Printed board layout, component side
 PCB thickness 1,6mm



A									 Dsub, 26 poles, female, angled solder pins, screw locks and board locks All Dim. in mm Orig. Size DIN A 4	Maßstab/ Scale 1.5:1		
			36181	12-10-10	BH	Detail.	16-SEP-02	CV				
			ECO2035	06-07-10	SC	Insp.						
			31485	16-04-03	S.H.	Stand.						
			31352	16-OCT-02	S.H.							
	09562525613	S4				HARTING EURL F-95972 Paris			TB 09 56 252 x613 Sub.	Blatt/ Page 1 / 1		
	09562527613	PL3										
	Part number	Performance level	Mod.	Dat.	Name							

Mouser Electronics

Authorized Distributor

Click to View Pricing, Inventory, Delivery & Lifecycle Information:

[HARTING:](#)

[09562525613](#) [09562527613](#)