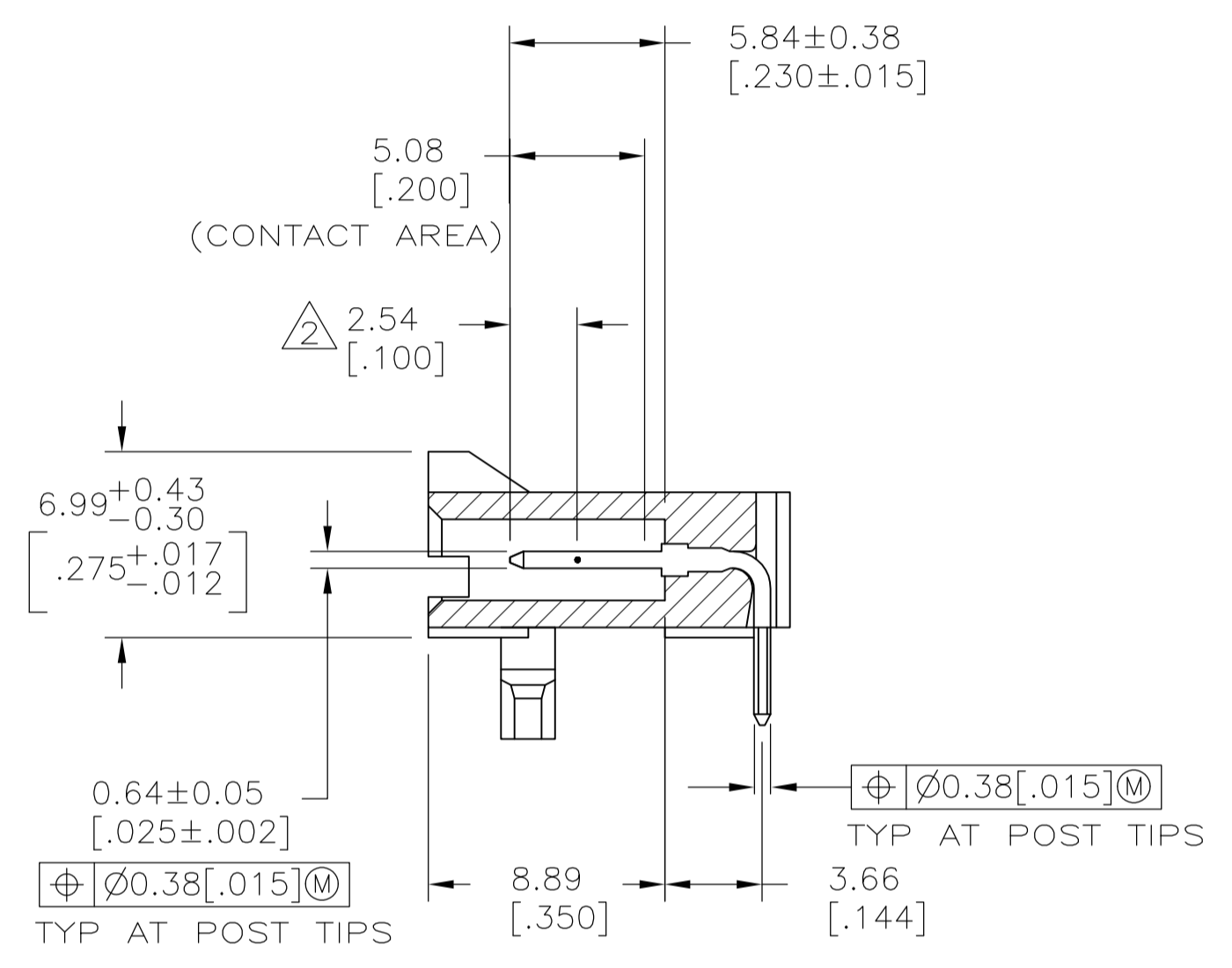
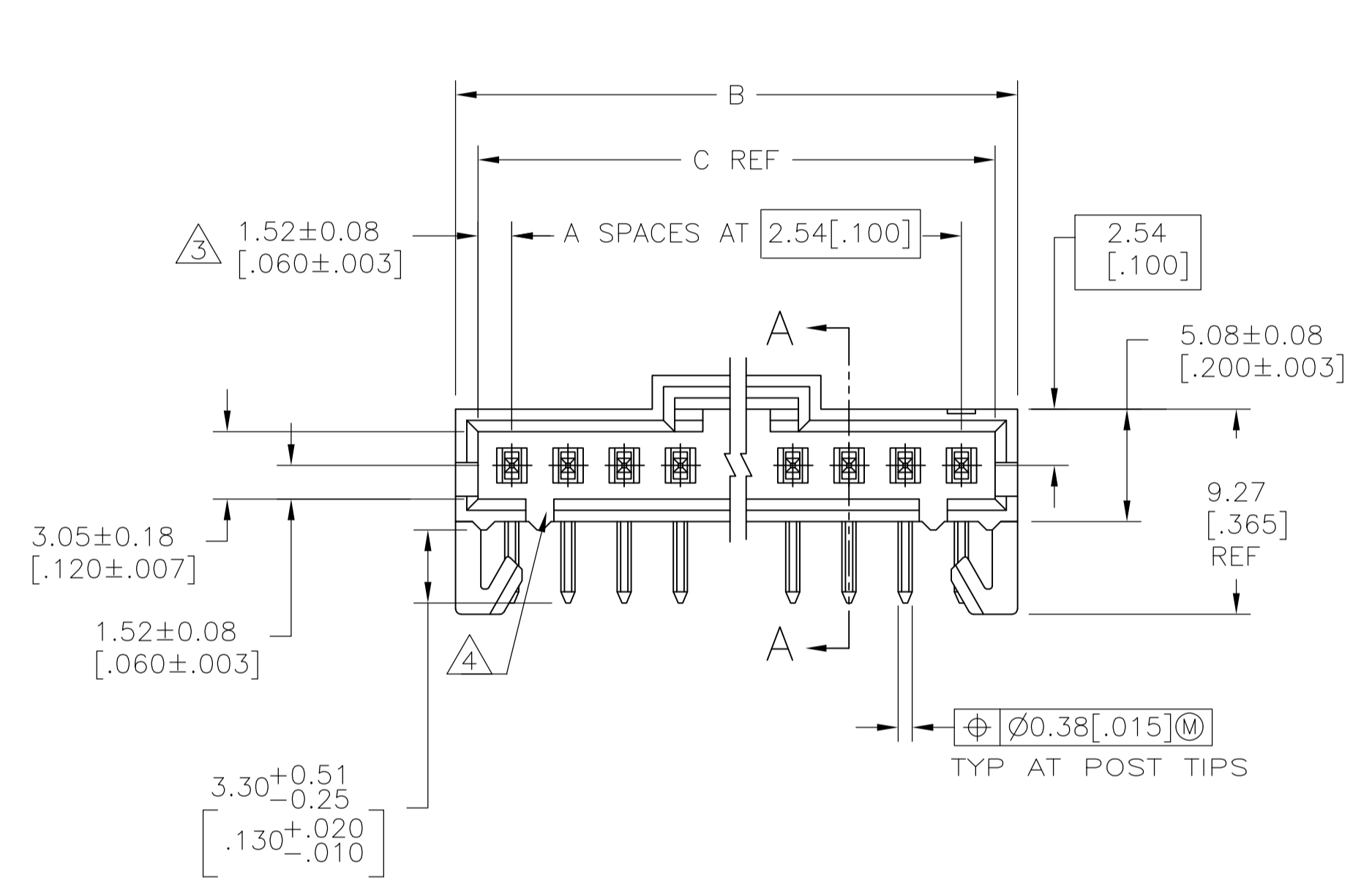
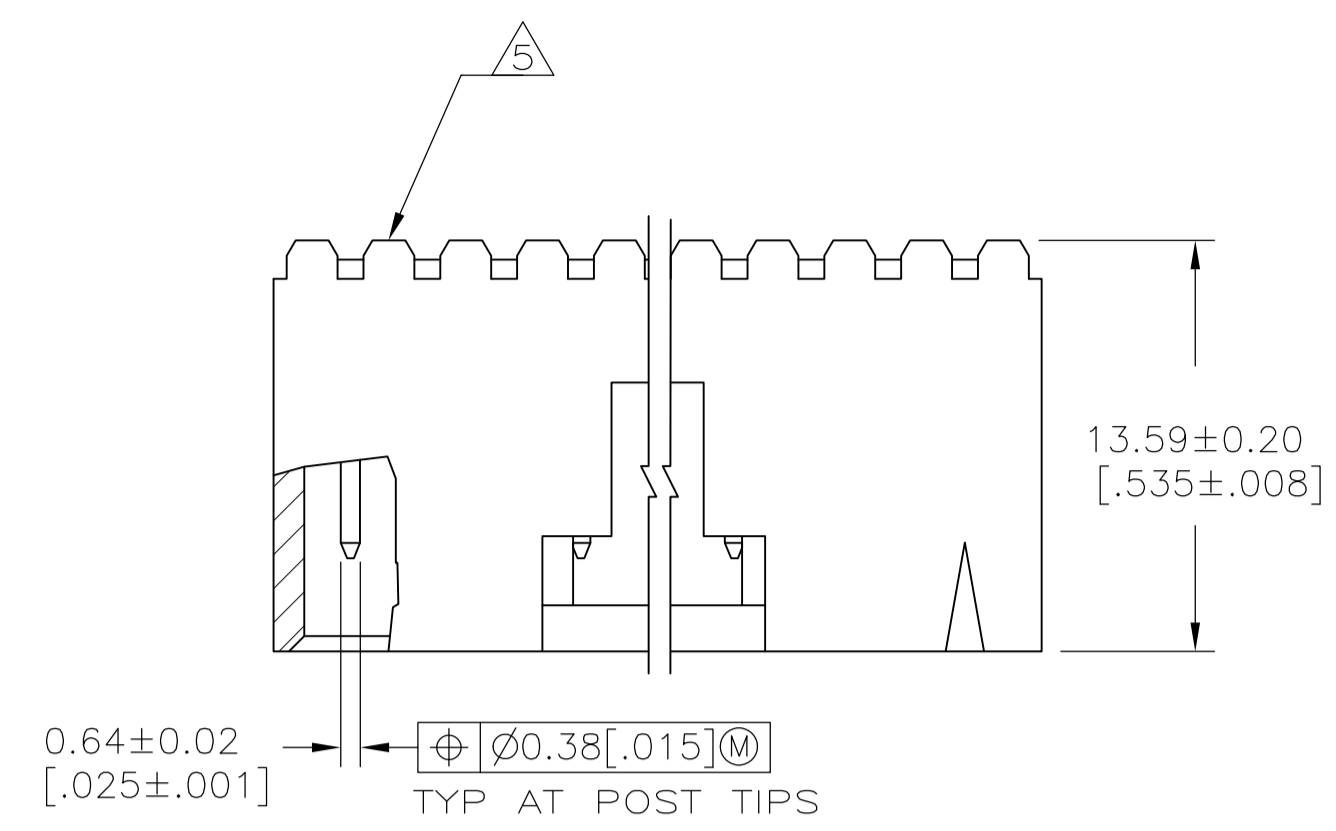
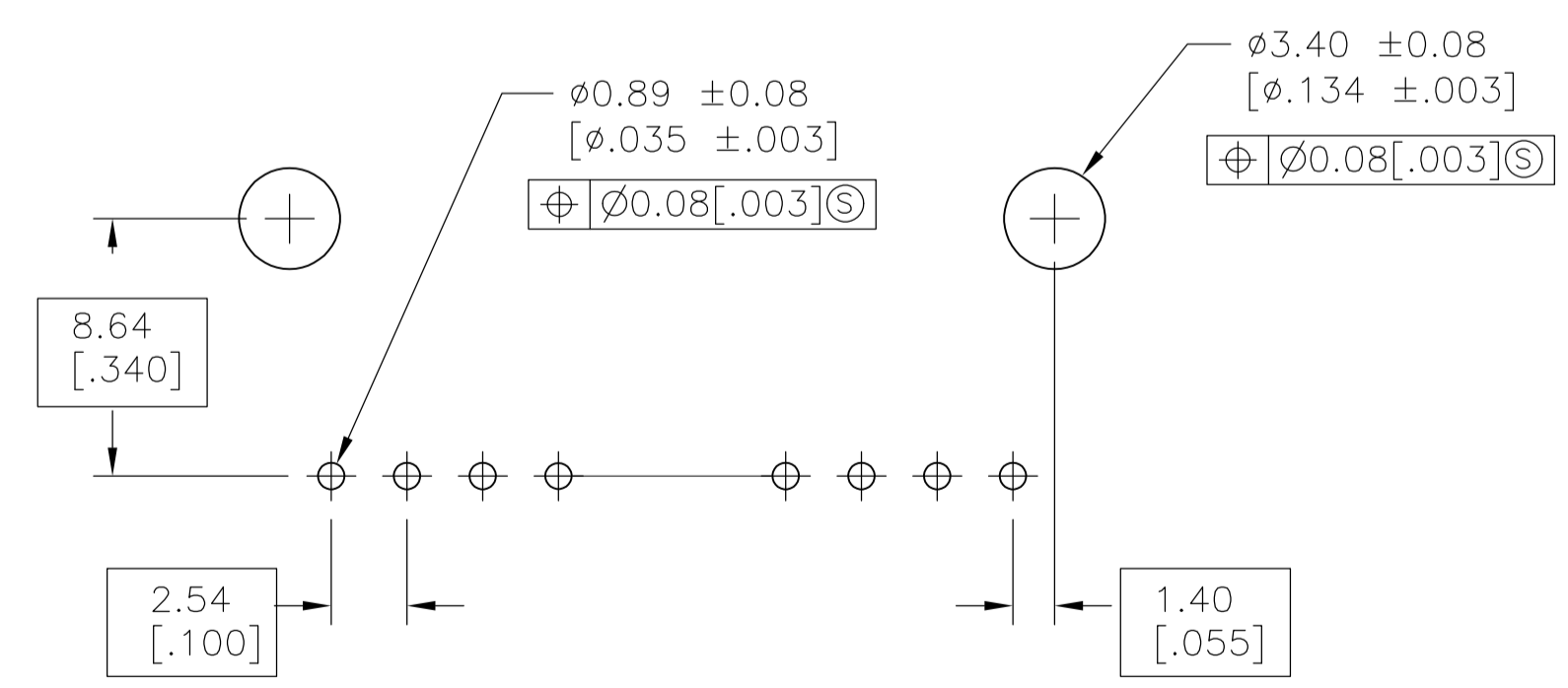


| REVISIONS | | | | | |
|-----------|-------------|---------------|-----------|-----|------|
| P | LTR | DESCRIPTION | DATE | DMN | APVD |
| AC3 | REVISED PER | ECO-11-004587 | 11MAR11 | RK | HMR |
| AD | REVISED PER | ECO-17-002583 | 08APR2017 | RS | MM |



SECTION A-A



RECOMMENDED HOLE LAYOUT

| | | | |
|--|------------------|-----------------------|-------------------------------|
| THIS DRAWING IS A CONTROLLED DOCUMENT. | | DIN R BROWN 09FEB01 | TE Connectivity |
| DIMENSIONS: mm | | CHK K WRIGHT 09FEB01 | |
| TOLERANCES UNLESS OTHERWISE SPECIFIED: | | APVD K WRIGHT 09FEB01 | NAME |
| 0. PLC ± - | 1. PLC ± - | PRODUCT SPEC | HDR ASSY, RTANG, SINGLE ROW |
| 2. PLC ± 0.13[.005] | 3. PLC ± - | APPLICATION SPEC | 108-25034 |
| 4. PLC ± - | ANGLES ± - | SIZE | 114-25026 |
| MATERIAL | FINISH SEE TABLE | WEIGHT | A1 00779 C=103672 |
| | | CUSTOMER DRAWING | SCALE 4:1 SHEET 1 OF 2 REV AD |

| REVISIONS | | | | | |
|-----------|-----|-------------|------|-----|------|
| P | LTR | DESCRIPTION | DATE | DMN | APVD |
| | | SEE SHEET 1 | - | - | - |

- ① .000100 BRIGHT TIN-LEAD OVER .000050 NICKEL.
- ② POINT OF MEASUREMENT FOR PLATING THICKNESS.
- ③ THE NOTED DIMENSIONS APPLY AT THE INTERSECTION OF THE POST AND THE HOUSING.
- ④ ON ASSEMBLIES WITH FOUR OR MORE POSITIONS, TWO POLARIZATION SLOTS.
ON ASSEMBLIES WITH TWO OR THREE POSITIONS, ONE POLARIZATION SLOT.
- ⑤ AMP TRADEMARK MOLDED ON THIS SURFACE.
- 6. FOR USE WITH 1.57±0.20[.062±.008] PRINTED CIRCUIT BOARD.
- △ MATERIAL: HOUSING- FLAME RETARDANT LCP, COLOR-BLACK.
POSTS- BRASS.
- ⑧ .000100 BRIGHT TIN OVER .000050 NICKEL.
- ⑨ PRELIMINARY PART - NOT RELEASED FOR PRODUCTION.
- ⑩ .000100 MATTE TIN OVER .000050 NICKEL.
- ⑪ HIGH TEMPERATURE CONFIGURATION
- ⑫ OBSOLETE PARTS: OBSOLETE CIS STREAMLINING PER D.RENAUD/D.SINISI

| | | | | | | |
|---------|---------|------------------|------------------|----|-------------|--------------|
| | | 64.01 [2.520] | 65.91 [2.595] | 24 | 25 | ⑫ 7-103672-4 |
| | | 61.47 [2.420] | 63.37 [2.495] | 23 | 24 | ⑫ 7-103672-3 |
| | | 58.93 [2.320] | 60.83 [2.395] | 22 | 23 | ⑫ 7-103672-2 |
| | | 56.39 [2.220] | 58.29 [2.295] | 21 | 22 | ⑫ 7-103672-1 |
| | | 53.85 [2.120] | 55.75 [2.195] | 20 | 21 | ⑫ 7-103672-0 |
| | | 51.31 [2.020] | 53.21 [2.095] | 19 | 20 | 6-103672-9 |
| | | 48.77 [1.920] | 50.67 [1.995] | 18 | 19 | ⑫ 6-103672-8 |
| | | 46.23 [1.820] | 48.13 [1.895] | 17 | 18 | ⑫ 6-103672-7 |
| | | 43.69 [1.720] | 45.59 [1.795] | 16 | 17 | ⑫ 6-103672-6 |
| | | 41.15 [1.620] | 43.05 [1.695] | 15 | 16 | 6-103672-5 |
| | | 38.61 [1.520] | 40.51 [1.595] | 14 | 15 | ⑫ 6-103672-4 |
| | | 36.07 [1.420] | 37.97 [1.495] | 13 | 14 | ⑫ 6-103672-3 |
| | | 33.53 [1.320] | 35.43 [1.395] | 12 | 13 | ⑫ 6-103672-2 |
| | | 30.99 [1.220] | 32.89 [1.295] | 11 | 12 | 6-103672-1 |
| | | 28.45 [1.120] | 30.35 [1.195] | 10 | 11 | ⑫ 6-103672-0 |
| | | 25.91 [1.020] | 27.81 [1.095] | 9 | 10 | 5-103672-9 |
| | | 23.37 [.920] | 25.27 [0.995] | 8 | 9 | ⑫ 5-103672-8 |
| | | 20.83 [.820] | 22.73 [.895] | 7 | 8 | 5-103672-7 |
| | | 18.29 [.720] | 20.19 [.795] | 6 | 7 | 5-103672-6 |
| | | 15.75 [.620] | 17.65 [.695] | 5 | 6 | 5-103672-5 |
| | | 13.21 [.520] | 15.11 [.595] | 4 | 5 | 5-103672-4 |
| | | 10.67 [.420] | 12.57 [.495] | 3 | 4 | 5-103672-3 |
| | | 8.13 [.320] | 10.03 [.395] | 2 | 3 | 5-103672-2 |
| | | 5.59 [.220] | 7.49 [.295] | 1 | 2 | 5-103672-1 |
| REMARKS | PLATING | C | B | A | NO. OF POSN | PART NO. |

| | | | | | | |
|---------|---------|------------------|------------------|----|-------------|--------------|
| | | 25.91 [1.020] | 27.81 [1.095] | 9 | 10 | 3-103672-0 |
| | | 15.75 [.620] | 17.65 [.695] | 5 | 6 | 2-103672-9 |
| | | 5.59 [.220] | 7.49 [.295] | 1 | 2 | 2-103672-8 |
| | | 13.21 [.520] | 15.11 [.595] | 4 | 5 | 2-103672-7 |
| | | 10.67 [.420] | 12.57 [.495] | 3 | 4 | 2-103672-6 |
| | | 8.13 [.320] | 10.03 [.395] | 2 | 3 | 2-103672-5 |
| | | 64.01 [2.520] | 65.91 [2.595] | 24 | 25 | ⑫ 2-103672-4 |
| | | 61.47 [2.420] | 63.37 [2.495] | 23 | 24 | ⑫ 2-103672-3 |
| | | 58.93 [2.320] | 60.83 [2.395] | 22 | 23 | ⑫ 2-103672-2 |
| | | 56.39 [2.220] | 58.29 [2.295] | 21 | 22 | ⑫ 2-103672-1 |
| | | 53.85 [2.120] | 55.75 [2.195] | 20 | 21 | ⑫ 2-103672-0 |
| | | 51.31 [2.020] | 53.21 [2.095] | 19 | 20 | ⑫ 1-103672-9 |
| | | 48.77 [1.920] | 50.67 [1.995] | 18 | 19 | ⑫ 1-103672-8 |
| | | 46.23 [1.820] | 48.13 [1.895] | 17 | 18 | ⑫ 1-103672-7 |
| | | 43.69 [1.720] | 45.59 [1.795] | 16 | 17 | ⑫ 1-103672-6 |
| | | 41.15 [1.620] | 43.05 [1.695] | 15 | 16 | 1-103672-5 |
| | | 38.61 [1.520] | 40.51 [1.595] | 14 | 15 | 1-103672-4 |
| | | 36.07 [1.420] | 37.97 [1.495] | 13 | 14 | ⑫ 1-103672-3 |
| | | 33.53 [1.320] | 35.43 [1.395] | 12 | 13 | ⑫ 1-103672-2 |
| | | 30.99 [1.220] | 32.89 [1.295] | 11 | 12 | 1-103672-1 |
| | | 28.45 [1.120] | 30.35 [1.195] | 10 | 11 | 1-103672-0 |
| | | 25.91 [1.020] | 27.81 [1.095] | 9 | 10 | 103672-9 |
| | | 23.37 [.920] | 25.27 [0.995] | 8 | 9 | 103672-8 |
| | | 20.83 [.820] | 22.73 [.895] | 7 | 8 | 103672-7 |
| | | 18.29 [.720] | 20.19 [.795] | 6 | 7 | 103672-6 |
| | | 15.75 [.620] | 17.65 [.695] | 5 | 6 | 103672-5 |
| | | 13.21 [.520] | 15.11 [.595] | 4 | 5 | 103672-4 |
| | | 10.67 [.420] | 12.57 [.495] | 3 | 4 | 103672-3 |
| | | 8.13 [.320] | 10.03 [.395] | 2 | 3 | 103672-2 |
| | | 5.59 [.220] | 7.49 [.295] | 1 | 2 | 103672-1 |
| REMARKS | PLATING | C | B | A | NO. OF POSN | PART NO. |

THIS DRAWING IS A CONTROLLED DOCUMENT.

| | | | | |
|-------------|--|----------------------|-----------------------|-------------------------------------|
| DIMENSIONS: | TOLERANCES UNLESS OTHERWISE SPECIFIED: | DIN R BROWN 09FEB01 | APVD K WRIGHT 09FEB01 | NAME |
| mm | 0 PLC ± - 1 PLC ± - 2 PLC ± 0.13[.005] 3 PLC ± - 4 PLC ± - ANGLES ± - | CHK K WRIGHT 09FEB01 | APVD K WRIGHT 09FEB01 | HDR ASSY, RTANG, SINGLE ROW |
| | SEE TABLE | SIZE 114-25026 | SCALE 4:1 | TE Connectivity |
| MATERIAL | FINISH | WEIGHT | RESTRICTED TO | PRODUCT SPEC 108-25034 |
| △ | | A1 00779 | 103672 | APPLICATION SPEC 114-25026 |
| | | CUSTOMER DRAWING | SHEET 2 OF 2 | WITH PLZN & HOLD DOWNS, AMPMODU MTE |

Mouser Electronics

Authorized Distributor

Click to View Pricing, Inventory, Delivery & Lifecycle Information:

[TE Connectivity:](#)

[5-103672-4](#)