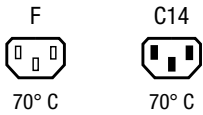


Distribution Unit with 1 IEC Appliance Inlet C14 and 4 Appliance Outlets F



Minibloc 4747



See below:
[Approvals and Compliances](#)

Description

- Stand alone module
- 1 Function :
of 4 outlets , Pin temperature 70 °C , Protection class I

Characteristics

- Suitable for use in equipment according to IEC/UL 60950

Weblinks

[pdf datasheet](#), [html-datasheet](#), [General Product Information](#), [Distributor-Stock-Check](#), [Accessories](#), [Detailed request for product](#)

Technical Data

| | | | |
|---------------------------------|-------------------------------------------------------------------|-------------------------|-----------------------------------------------------------------------------------------------|
| Ratings IEC | 10 A / 250 VAC; 50 Hz | appliance inlet/-outlet | C14 acc. to IEC 60320-1, / F acc. to IEC 60320-3 |
| Ratings UL/CSA | 15 A / 250 VAC; 60 Hz | | UL 498 CSA C22.2 no. 42 (for cold conditions) pin-temperature 70 °C, 10 A, Protection Class I |
| Dielectric Strength | > 2 kVAC between L-N > 2 kVAC between L/N-PE (1 min/50Hz) | | |
| Allowable Operation Temperature | -25 °C to 70 °C | | |
| Insulation cover | Suitable for appliances with protection class I acc. to IEC 61140 | | |
| Material: Housing | Thermoplastic, black, UL 94V-0 | | |

Approvals and Compliances

Detailed information on product approvals, code requirements, usage instructions and detailed test conditions can be looked up in [Details about Approvals](#)

Approvals

The approval mark is used by the testing authorities to certify compliance with the safety requirements placed on electronic products.
Approval Reference Type: 4747

| Approval Logo | Certificates | Certification Body | Description |
|---------------|-------------------------------|--------------------|-------------------------|
| | UL Approvals | UL | UL File Number: |
| | CQC Approvals | CQC | CCC Certificate Number: |

Product standards

Product standards that are referenced

| Organization | Design | Standard | Description |
|--------------|-----------------------|------------------|-----------------------------------------------------------------------|
| | Designed according to | IEC 60320-1 | Appliance couplers for household and similar general purposes |
| | Designed according to | IEC 60320-3 | Appliance couplers for household and similar general purposes |
| | Designed according to | UL 498 | Standard for Attachment Plugs and Receptacles |
| | Designed according to | CSA C22.2 no. 42 | General Use Receptacles, Attachment Plugs, and Similar Wiring Devices |





Application standards

Application standards where the product can be used

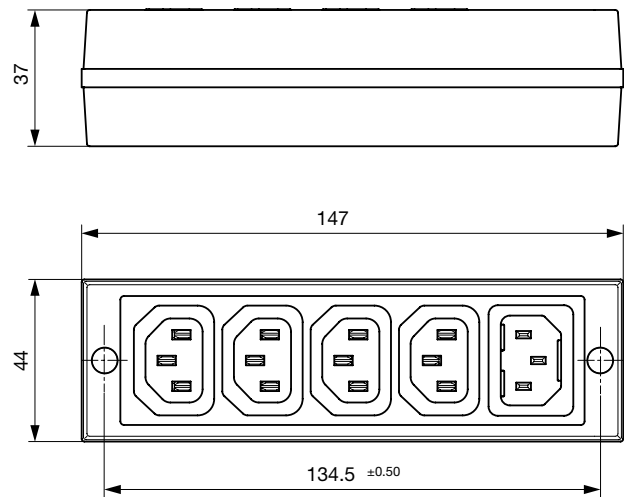
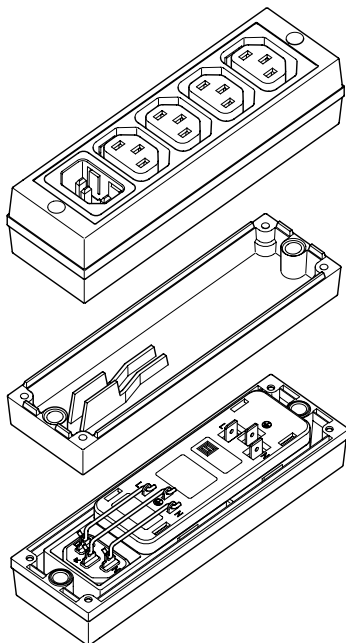
| Organization | Design | Standard | Description |
|----------------------------------------------------------------------------------|--------------------------------|--------------|-------------------------------------------------------------------------------------------------|
|  | Designed for applications acc. | IEC/UL 60950 | IEC 60950-1 includes the basic requirements for the safety of information technology equipment. |

Compliances

The product complies with following Guide Lines


| Identification | Details | Initiator | Description |
|----------------------------------------------------------------------------------|----------------------------------------------|-------------|-------------------------------------------------------------------------------------------------------------------------------------------------------------------------------------------------------|
|  | CE declaration of conformity | SCHURTER AG | The CE marking declares that the product complies with the applicable requirements laid down in the harmonisation of Community legislation on its affixing in accordance with EU Regulation 765/2008. |
|  | RoHS | SCHURTER AG | EU Directive RoHS 2011/65/EU |
|  | China RoHS | SCHURTER AG | The law SJ / T 11363-2006 (China RoHS) has been in force since 1 March 2007. It is similar to the EU directive RoHS. |
|  | REACH | SCHURTER AG | On 1 June 2007, Regulation (EC) No 1907/2006 on the Registration, Evaluation, Authorization and Restriction of Chemicals 1 (abbreviated as "REACH") entered into force. |


Dimensions [mm]



Mounting holes for 3 mm screws

All Variants

| Terminal | Version with | Order Number |
|----------|--------------|-----------------------------------------------------------------------------------------------|
| - | inlet | 4747.0000  |

 Most Popular.

Availability for all products can be searched real-time: <https://www.schurter.com/en/Stock-Check/Stock-Check-SCHURTER>

Packaging unit 30 Pcs

Mating Inlets/Plugs

Category / Description

[Plug Overview complete](#)



| | |
|-------------------------------------------------------------------------------|------|
| IEC Plug E, Cord Connector (Rewireable), Straight, max. cable Diameter 8.5 mm | 4732 |
| IEC Plug E, Cord Connector (Rewireable), Straight, max. Cable Diameter 10 mm | 4735 |
| IEC Plug E, Cord Connector (Rewireable), Straight | 9009 |
| IEC Plug E, Cord Connector (Rewireable), Angled, max. Cable Diameter 8.5 mm | 4733 |
| IEC Plug E, Cord Connector (Rewireable), Angled, max. Cable Diameter 10 mm | 4736 |
| Plug further types to 4747 | ... |

Mating Outlets/Connectors

[Appliance Outlet Overview complete](#)



| | |
|---------------------------------------------------------------------------------------------------|------|
| IEC Appliance Outlet F, Screw-on Mounting, Front Side, Solder Terminal | 4787 |
| IEC Appliance Outlet F, Snap-in Mounting, Front Side, Solder or Quick-connect Terminal | 4788 |
| IEC Appliance Outlet F or H, Screw-on Mounting, Front Side, Solder, PCB or Quick-connect Terminal | 5091 |
| Appliance Outlet further types to 4747 | |

[Connector Overview complete](#)



| | |
|----------------------------------------------------------------------------------------------|---------|
| 4782 Mounting: Power Cord, 3 x 1 mm ² / 3 x 18 AWG, Cable, Connector: IEC C13 | 4782 |
| 4022 Mounting: Power Supply Cord, 3 x 1.5 mm ² , Screw clamps, Connector: IEC C13 | 4022 |
| 4785 Mounting: Power Cord, 3 x 1 mm ² / 3 x 18 AWG, Cable, Connector: IEC C13 | 4785 |
| 4300-06 Mounting: Power Cord, 3 x 1 mm ² / 3 x 18 AWG, Cable, Connector: IEC C13 | 4300-06 |
| 4012 Mounting: Power Supply Cord, 3 x 1.5 mm ² , Screw clamps, Connector: IEC C13 | 4012 |
| Connector further types to 4747 | ... |

Mouser Electronics

Authorized Distributor

Click to View Pricing, Inventory, Delivery & Lifecycle Information:

Schurter:

4747 4747.0000