

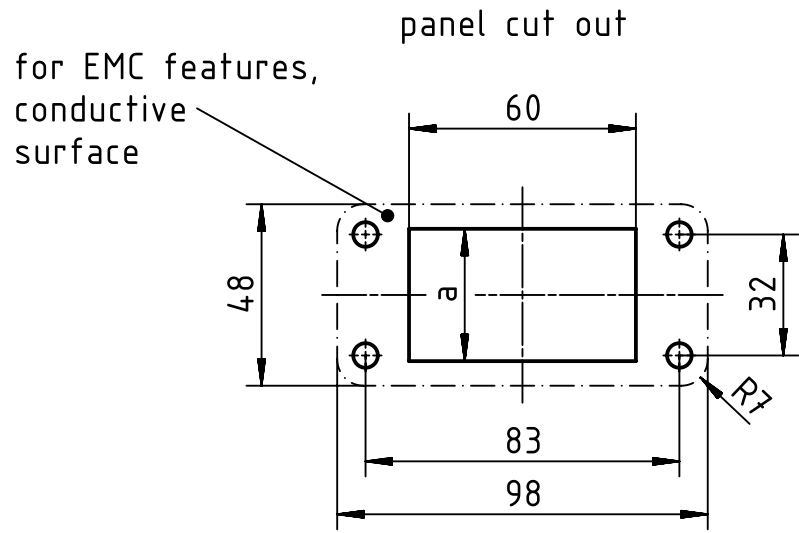
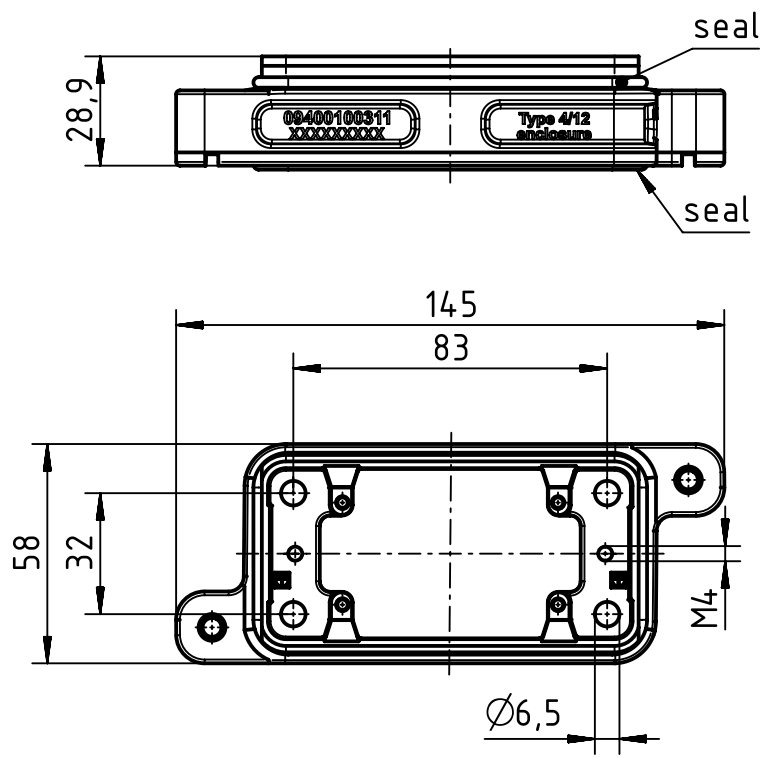
1 2 3 4 5 6

A

B

C

D



application	a
standard insert	35
HC-Modular 650	44,5

	All rights reserved Department EL PD - DE HARTING Electric GmbH & Co. KG D-32339 Espelkamp	All Dimensions in mm Original Size DIN A4			Scale 1:2	Free size tol.		Ref. Sub.		
		Created by HELLMANN	Inspected by BERGHORN	Standardisation TIEMANNA	Date 2018-07-03	State Final Release		Title Han 10HPR-HBM-Screw locking		Doc-Key / ECM-Nr. 100209590/UGD/004/D 500000136970
		Type TB	Number 09 40 010 0311			Rev. D	Page 1/1			

Mouser Electronics

Authorized Distributor

Click to View Pricing, Inventory, Delivery & Lifecycle Information:

[HARTING:](#)

[09400100311](#)