

THIS DRAWING IS UNPUBLISHED.

RELEASED FOR PUBLICATION

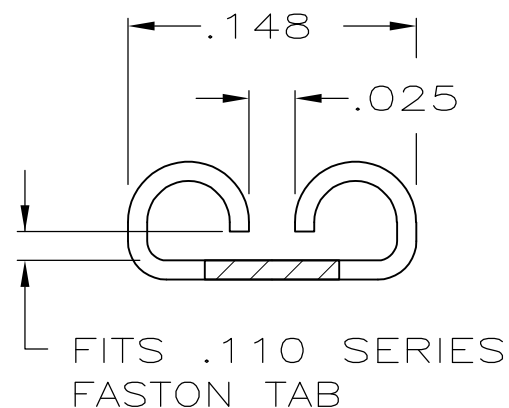
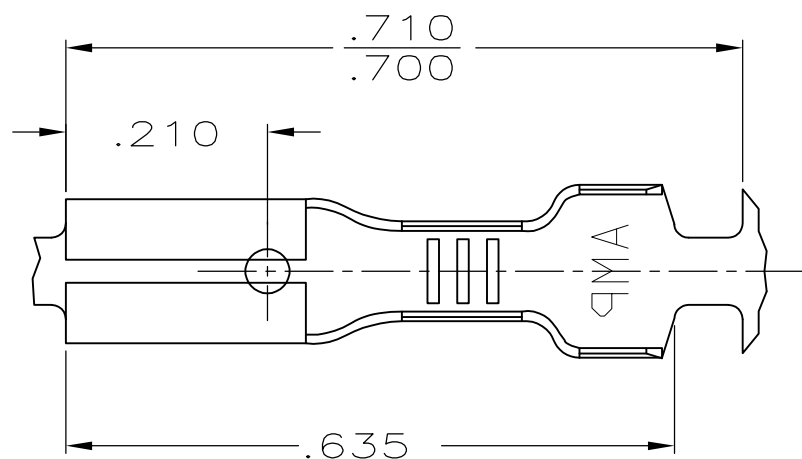
ALL RIGHTS RESERVED.

© COPYRIGHT - By -

LOC AF DIST 50

REVISIONS

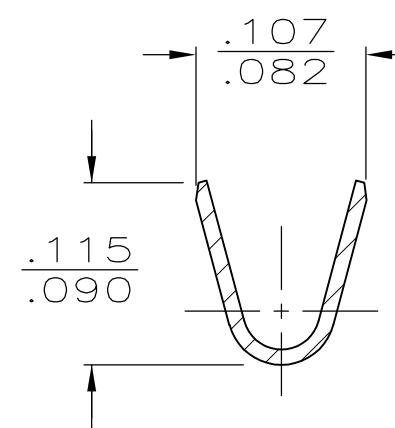
P	LTR	DESCRIPTION	DATE	DWN	APVD
	AN1	REVISED PER ECR-14-004075	24MAR2014	NK	RL



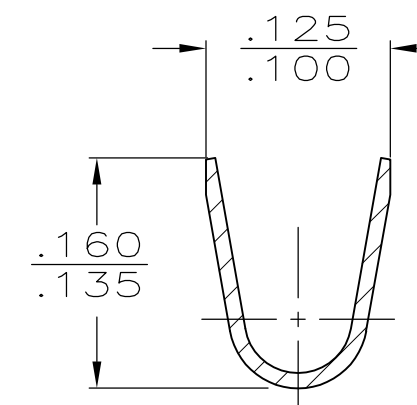
VIEW A-A

1 CONTINUOUS STRIP ON REELS.

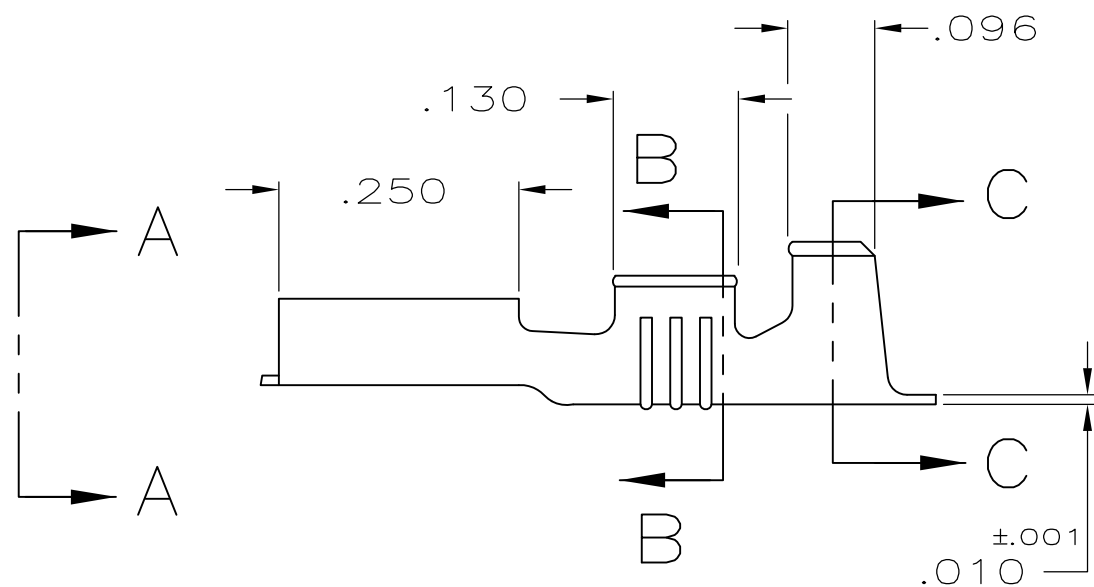
2 FINISH LEAD-FREE, MATTE TIN OVER NICKEL



SECTION B-B



SECTION C-C



OBSOLETE	SILVER	#4H BRASS	.060-.100	22-18	.020	-42068-6
OBSOLETE	GOLD	#4H BRASS	.060-.100	22-18	.020	-42068-5
OBSOLETE	TIN	#4H PHOS BRZ	.060-.100	22-18	.020	-42068-4
OBSOLETE	-	#4H PHOS BRZ	.060-.100	22-18	.020	-42068-3
	2	BRASS	.060-.100	22-18	.020	42068-2
	PRE-TIN	BRASS	.060-.100	22-18	.020	42068-1
	-	BRASS	.060-.100	22-18	.020	42068-0
	FINISH	MATERIAL	INSUL RANGE	WIRE SIZE	TAB <sup>±.001</sup> THK	PART NO

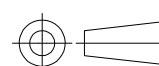
THIS DRAWING IS A CONTROLLED DOCUMENT.

DWN 6/23/87

STE TE Connectivity

DIMENSIONS: INCHES

TOLERANCES UNLESS OTHERWISE SPECIFIED:



0 PLC	± -
1 PLC	± -
2 PLC	± -
3 PLC	± .015
4 PLC	± -
ANGLES	± -

MATERIAL SEE TABLE

FINISH SEE TABLE

CHK	-
APVD	-
PRODUCT SPEC	-
APPLICATION SPEC	-
WEIGHT	-

RECEPTACLE, FASTON,™ .110 SERIES

SIZE	CAGE CODE	DRAWING NO	RESTRICTED TO
A3	00779	C-42068	-

CUSTOMER DRAWING SCALE NTS SHEET 1 OF 1 REV AN1

# Mouser Electronics

Authorized Distributor

Click to View Pricing, Inventory, Delivery & Lifecycle Information:

[TE Connectivity:](#)

[42068](#)