

THIS DRAWING IS UNPUBLISHED.

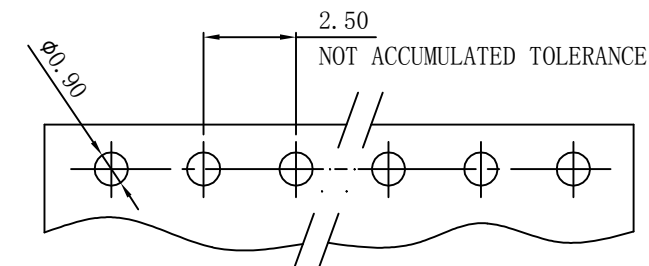
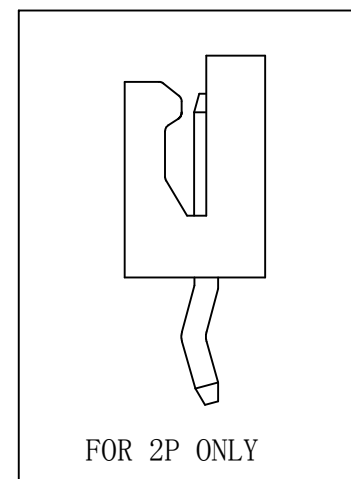
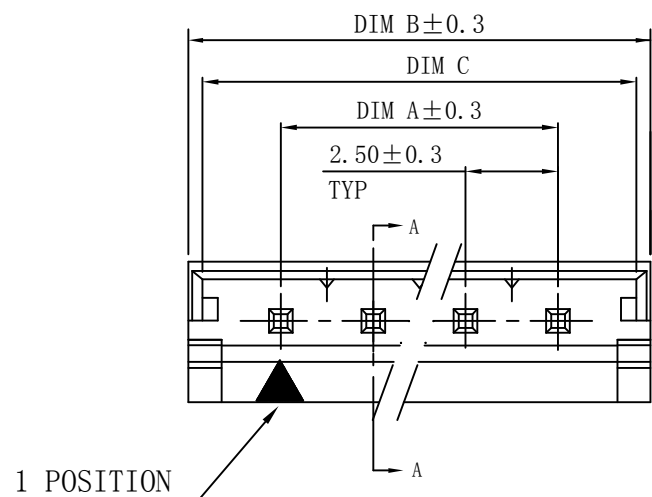
RELEASED FOR PUBLICATION

© COPYRIGHT - By -

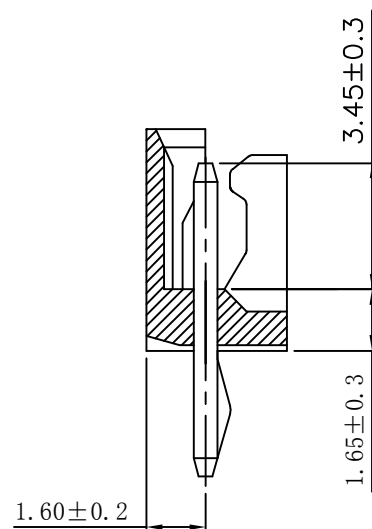
ALL RIGHTS RESERVED.

REVISIONS

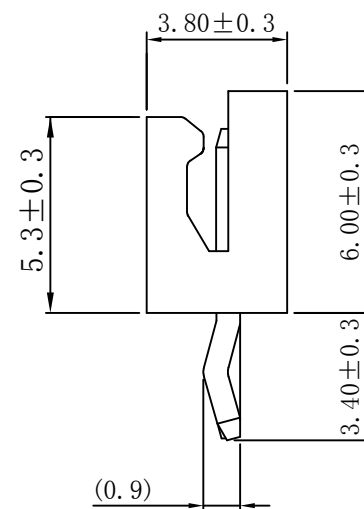
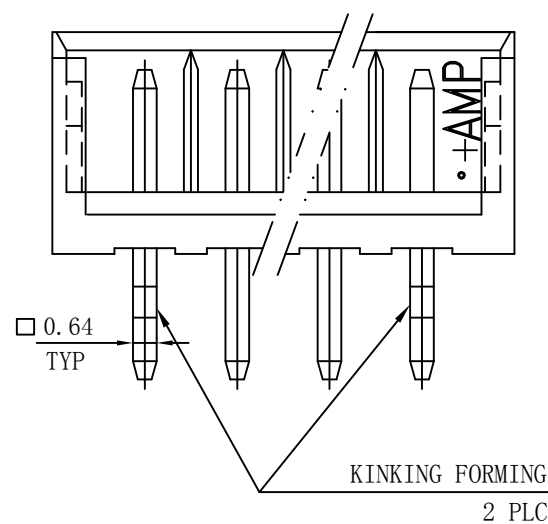
P	LTR	DESCRIPTION	DATE	DWN	APVD
C7		ECR-17-017786	06DEC2017	T.Q	W.H



RECOMMEND PCB LAYOUT  
(PCB THK=1.0~1.6)



SECTION A-A



FOR 3P TO 15P

DIM C	DIM B	DIM A	CIRCUITS	HOUSING COLOR	PART NUMBER
14.2	15.0	10.00	4P	YELLOW	5-440052-2
9.2	10.0	5.00	2P	NATURAL	5-440052-1
14.2	15.0	10.00	3P	NATURAL	4-440052-5
39.2	40.0	35.00	15P	NATURAL	1-440052-5
36.7	37.5	32.50	14P	NATURAL	1-440052-4
34.2	35.0	30.00	13P	NATURAL	1-440052-3
31.7	32.5	27.50	12P	NATURAL	1-440052-2
29.2	30.0	25.00	11P	NATURAL	1-440052-1
26.7	27.5	22.50	10P	NATURAL	1-440052-0
24.2	25.0	20.00	9P	NATURAL	440052-9
21.7	22.5	17.50	8P	NATURAL	440052-8
19.2	20.0	15.00	7P	NATURAL	440052-7
16.7	17.5	12.50	6P	NATURAL	440052-6
14.2	15.0	10.00	5P	NATURAL	440052-5
11.7	12.5	7.50	4P	NATURAL	440052-4
9.2	10.0	5.00	3P	NATURAL	440052-3
6.7	7.5	2.50	2P	NATURAL	440052-2

NOTE:

- MATERIAL : HOUSING : THERMOPLASTIC UL94V-0, COLOR: SEE TABLE. CONTACT : BRASS.
- FINISH: CONTACT : 80u" MIN. TIN PLATED ON CONTACT AREA.
- WHEN EXTRACTING RECEPTACLE HOUSING FROM HEADER, NOT WIRE BUT RECEPTACLE HOUSING SHOULD BE CRIPED IN OEDER TO AVOID THE WIRE BREAKAGE.
- PART 4-440052-5 IS PART 440052-5 WITH PIN 2 AND 4 REMOVED.

- PART 5-440052-1 IS PART 440052-3 BUT 2ND PIN REMOVED.
  - PART 5-440052-2 IS PART 440052-5 BUT 4TH PIN REMOVED.
- △ 0% MATERIAL REGRIND PARTS

THIS DRAWING IS A CONTROLLED DOCUMENT.

DWN	O. HU	09JUN2003
CHK	A. WU	09JUN2003
APVD	J. CHENG	09JUN2003

PRODUCT SPEC: 108-57099

APPLICATION SPEC: -

WEIGHT: -

CUSTOMER DRAWING

SCALE: 1:1

SHEET: 1 OF 5

REV: C7

TE Connectivity

2.5 MM PITCH HPI VERTICAL POST HEADERS

RESTRICTED TO: -

THIS DRAWING IS UNPUBLISHED.

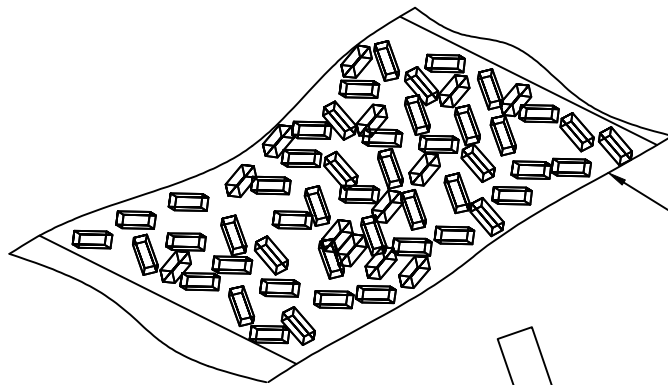
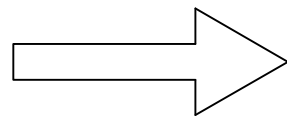
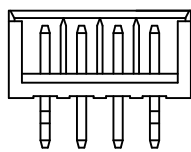
RELEASED FOR PUBLICATION

ALL RIGHTS RESERVED.

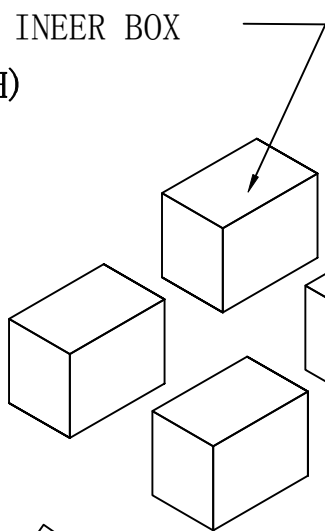
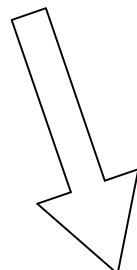
© COPYRIGHT - By -

REVISIONS

P	LTR	DESCRIPTION	DATE	DWN	APVD
-	-	SEE SHEET 1	-	-	-

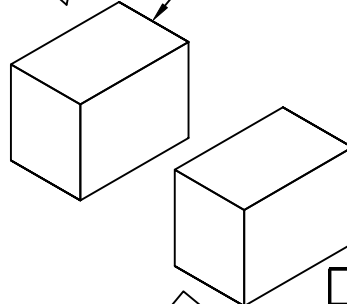


POLY BAG  
127mm(L) X 203mm(W) X 0.07mm(H)

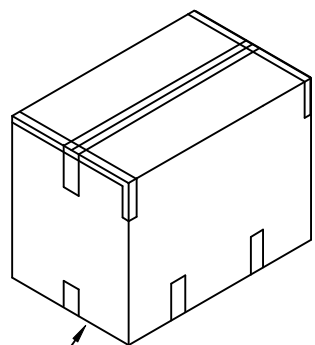
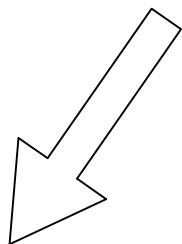


320mm(L) X 220mm(W) X 140mm(H)

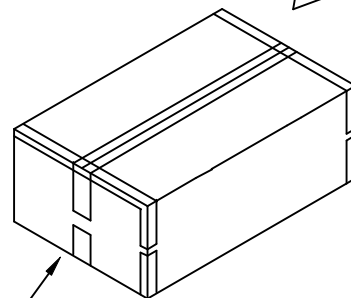
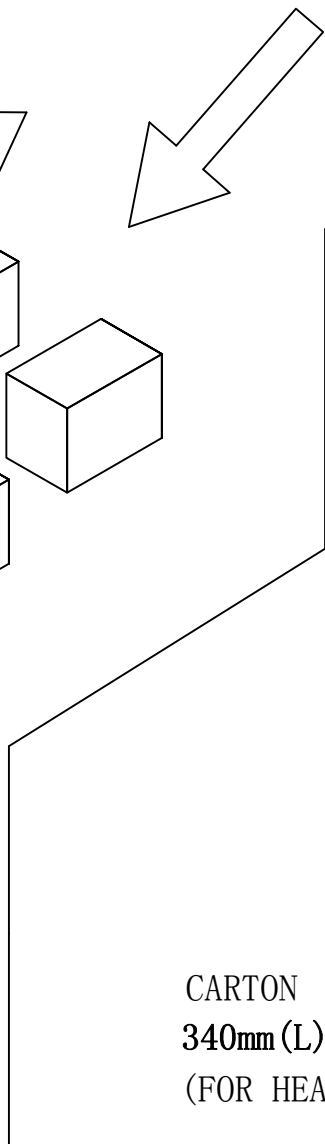
INEER BOX



INEER BOX  
320mm(L) X 220mm(W) X 140mm(H)



CARTON  
340mm(L) X 470mm(W) X 316mm(H)  
(FOR HEADER 6P~16P ONLY)

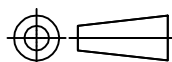


CARTON  
340mm(L) X 470mm(W) X 168mm(H)  
(FOR HEADER 2P~5P ONLY)

APQ	PPQ	CIRCUITS	HOUSING COLOR	PART NUMBER
20,000	500	4P	YELLOW	5-440052-2
30,000	750	2P	NATURAL	5-440052-1
20,000	500	3P	NATURAL	4-440052-5
12,960	180	15P	NATURAL	1-440052-5
12,000	200	14P	NATURAL	1-440052-4
14,400	200	13P	NATURAL	1-440052-3
16,000	250	12P	NATURAL	1-440052-2
16,000	250	11P	NATURAL	1-440052-1
20,000	250	10P	NATURAL	1-440052-0
21,600	300	9P	NATURAL	440052-9
25,200	350	8P	NATURAL	440052-8
28,000	350	7P	NATURAL	440052-7
35,000	350	6P	NATURAL	440052-6
20,000	500	5P	NATURAL	440052-5
24,000	600	4P	NATURAL	440052-4
30,000	750	3P	NATURAL	440052-3
36,000	1,000	2P	NATURAL	440052-2
APQ	PPQ	CIRCUITS	HOUSING COLOR	PART NUMBER
(PCS/CARTON)	(PCS/BAG)			

THIS DRAWING IS A CONTROLLED DOCUMENT.

DIMENSIONS:  
mm



TOLERANCES UNLESS OTHERWISE SPECIFIED:

- 0 PLC ± -
- 1 PLC ± -
- 2 PLC ± -
- 3 PLC ± -
- 4 PLC ± -
- ANGLES ± -

MATERIAL FINISH

DWN 09JUN2003  
O. HU

CHK 09JUN2003  
A. WU

APVD 09JUN2003  
J. CHENG

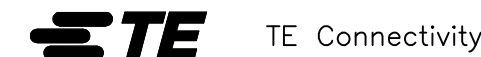
PRODUCT SPEC

108-57099

APPLICATION SPEC

WEIGHT 0.000000

CUSTOMER DRAWING



NAME

2.5 MM PITCH HPI VERTICAL POST HEADERS

SIZE CAGE CODE DRAWING NO RESTRICTED TO

A3 00779 C=440052

SCALE 1:1 SHEET 2 OF 5 REV C7

4

3

2

1

THIS DRAWING IS UNPUBLISHED.

RELEASED FOR PUBLICATION

- , - .

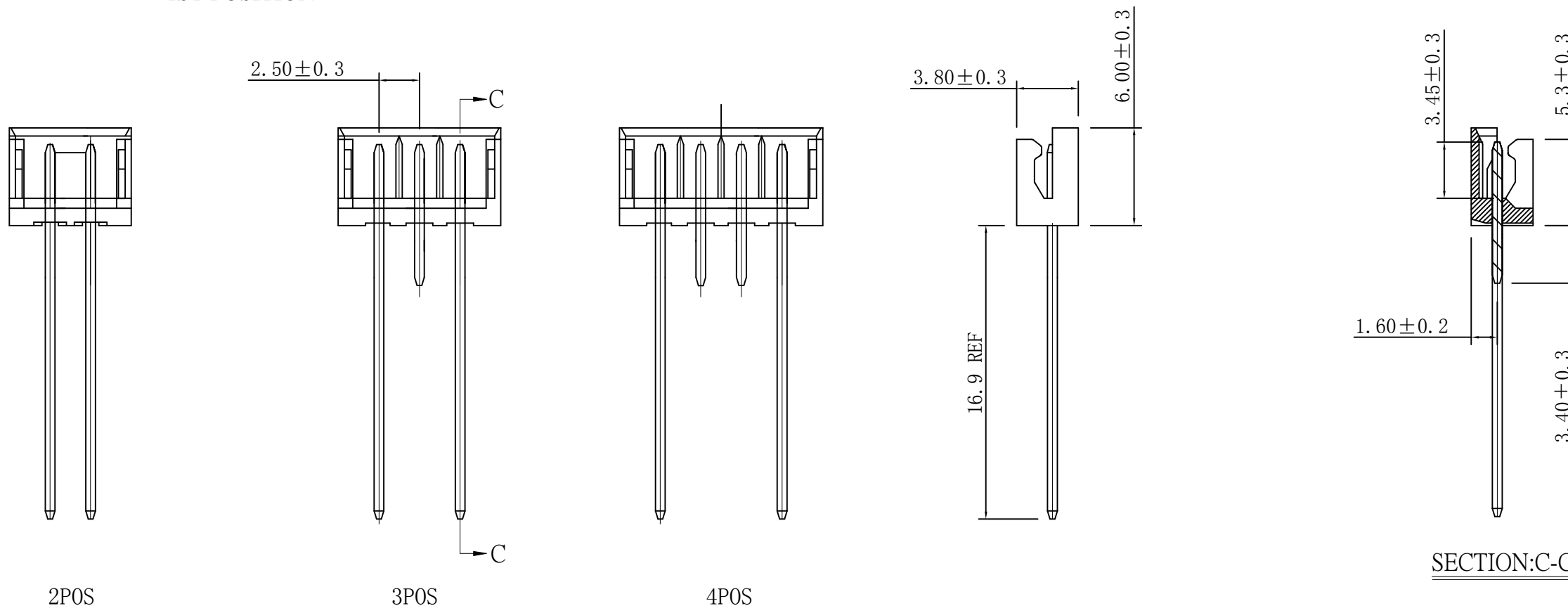
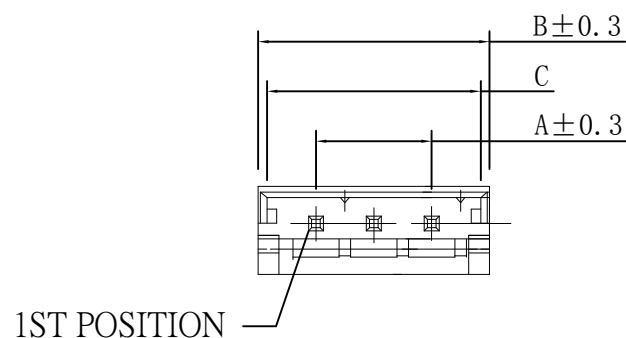
REVISIONS

© COPYRIGHT - By -

ALL RIGHTS RESERVED.


P	LTR	DESCRIPTION	DATE	DWN	APVD
-	-	SEE SHEET 1	-	-	-

11.7	12.5	7.50	4P	8-440052-4	4-440052-4	
9.2	10.0	5.00	3P	8-440052-3	4-440052-3	
6.7	7.5	2.50	2P	8-440052-2	4-440052-2	
C	B	A	POS	P/N	P/N	



NOTE:

- MATERIAL :  
HOUSING : THERMOPLASTIC UL94V-0,  
COLOR: NATURAL.  
CONTACT : BRASS.
- FINISH:  
CONTACT : 80u" MIN. TIN PLATED ON CONTACT AREA.
- WHEN EXTRACTING RECEPTACLE HOUSING FROM HEADER,  
NOT WIRE BUT RECEPTACLE HOUSING SHOULD BE  
CRIPED IN OEDER TO AVOID THE WIRE BREAKAGE.

THIS DRAWING IS A CONTROLLED DOCUMENT.		DWN O. HU 09JUN2003	 <b>TE Connectivity</b>														
		CHK A. WU 09JUN2003															
		APVD J. CHENG 09JUN2003	NAME														
DIMENSIONS: mm		PRODUCT SPEC 108-57099		2.5 MM PITCH HPI VERTICAL POST HEADERS													
TOLERANCES UNLESS OTHERWISE SPECIFIED:		APPLICATION SPEC		RESTRICTED TO													
<table border="0"> <tr><td>0 PLC</td><td>± 0.5</td></tr> <tr><td>1 PLC</td><td>± 0.3</td></tr> <tr><td>2 PLC</td><td>± 0.2</td></tr> <tr><td>3 PLC</td><td>± 0.15</td></tr> <tr><td>4 PLC</td><td>± -</td></tr> <tr><td>ANGLES</td><td>± -</td></tr> </table>		0 PLC	± 0.5	1 PLC	± 0.3	2 PLC	± 0.2	3 PLC	± 0.15	4 PLC	± -	ANGLES	± -	WEIGHT 0.000000		SIZE A3	CAGE CODE 00779
0 PLC	± 0.5																
1 PLC	± 0.3																
2 PLC	± 0.2																
3 PLC	± 0.15																
4 PLC	± -																
ANGLES	± -																
MATERIAL -		FINISH -		DRAWING NO C=440052													
		CUSTOMER DRAWING		SCALE 1:1	SHEET 3 of 5												
				REV C7													

THIS DRAWING IS UNPUBLISHED.

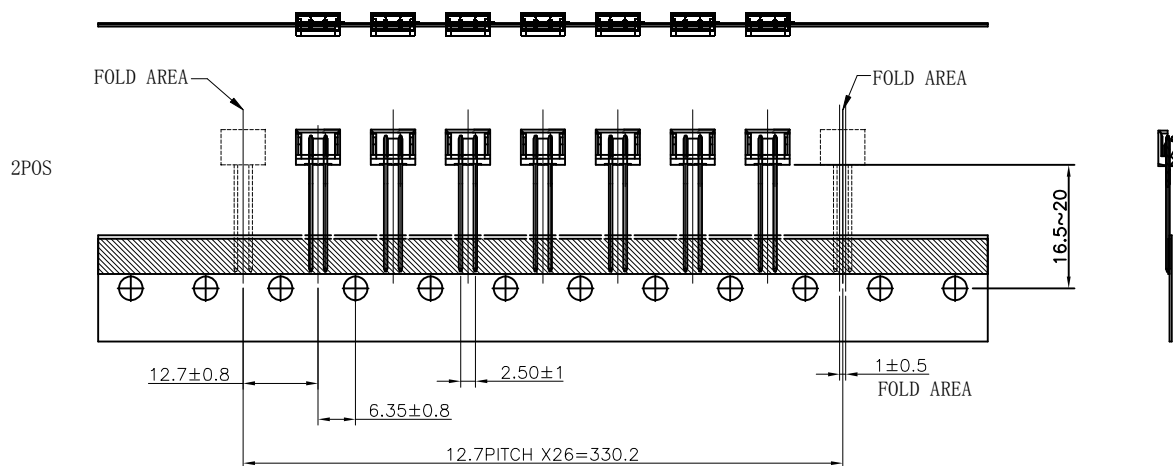
RELEASED FOR PUBLICATION

ALL RIGHTS RESERVED.

© COPYRIGHT - By -

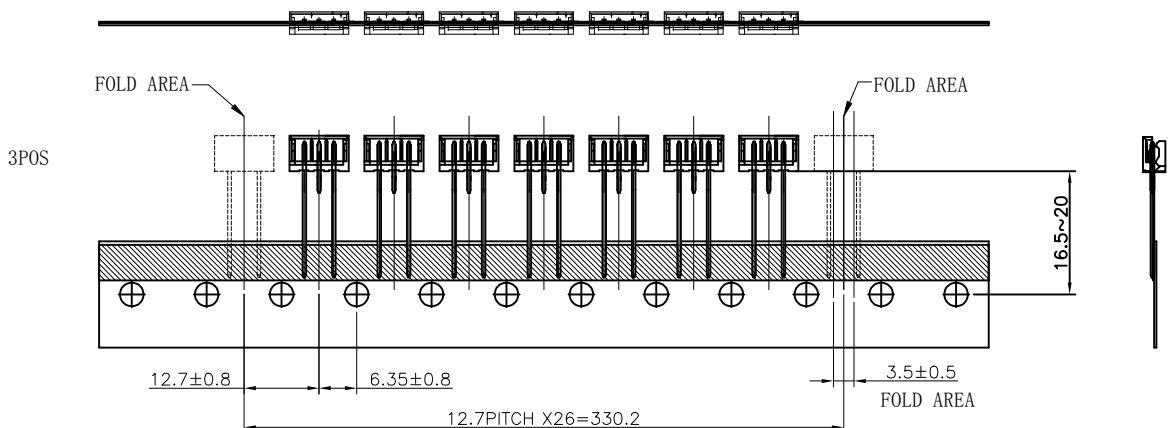
REVISIONS

P	LTR	DESCRIPTION	DATE	DWN	APVD
-	-	SEE SHEET 1	-	-	-

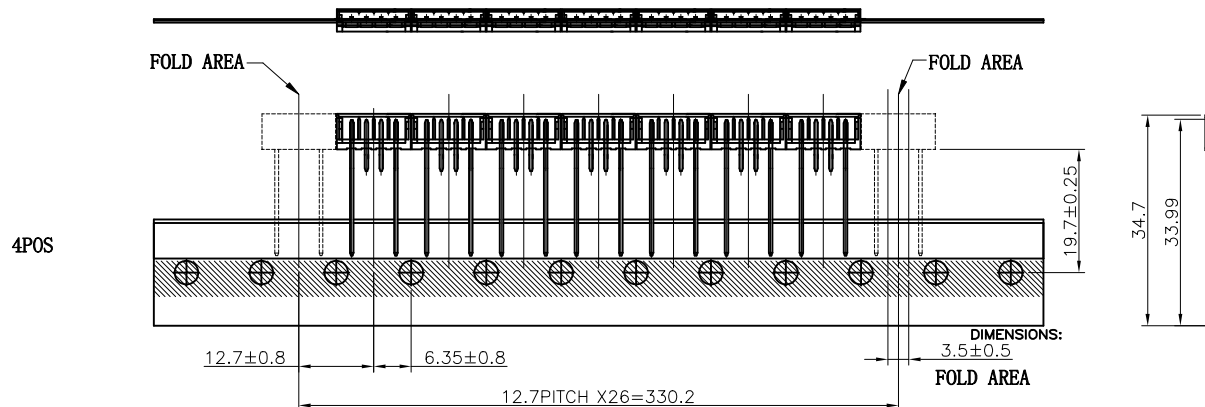


NOTES:

- 1. BRAID: 12.7PITCH\*26=330.2
- 2. CATON: 342\*310\*42mm
- 3. QUANTITY: 2POS--1500pcs/box  
3POS--1500pcs/box  
4POS--720pcs/box



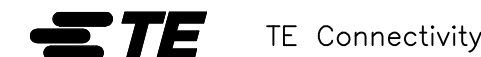
4P	8-440052-4	4-440052-4
3P	8-440052-3	4-440052-3
2P	8-440052-2	4-440052-2
POS	P/N	P/N



THIS DRAWING IS A CONTROLLED DOCUMENT.

DIMENSIONS:	TOLERANCES UNLESS OTHERWISE SPECIFIED:
mm	
	0 PLC ± -
	1 PLC ± -
	2 PLC ± -
	3 PLC ± -
	4 PLC ± -
	ANGLES ± -
MATERIAL	FINISH
-	-

DWN	O. HU	09JUN2003
CHK	A. WU	09JUN2003
APVD	J. CHENG	09JUN2003
PRODUCT SPEC	108-57099	
APPLICATION SPEC	-	
WEIGHT	0.000000	A3 00779
CUSTOMER DRAWING		



NAME			
2.5 MM PITCH HPI VERTICAL POST HEADERS			
SIZE	CAGE CODE	DRAWING NO	RESTRICTED TO
A3	00779	C=440052	-
SCALE	1:1	SHEET	4 OF 5
REV	C7		

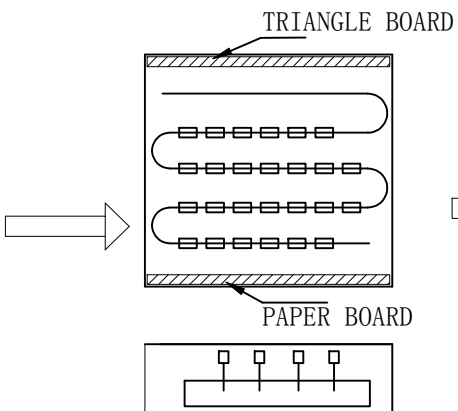
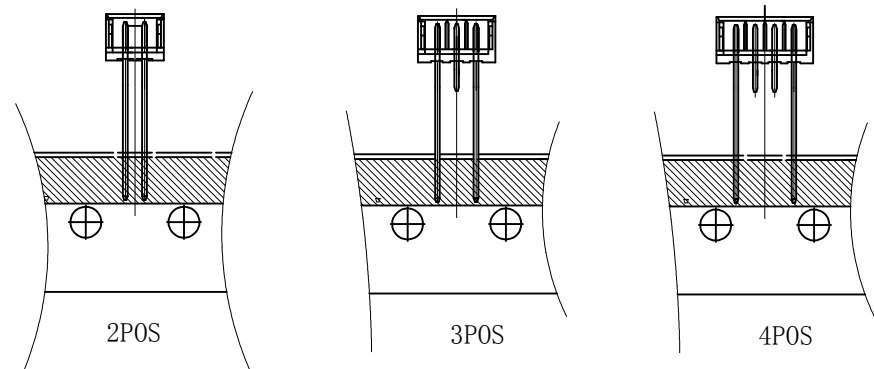
THIS DRAWING IS UNPUBLISHED.

RELEASED FOR PUBLICATION

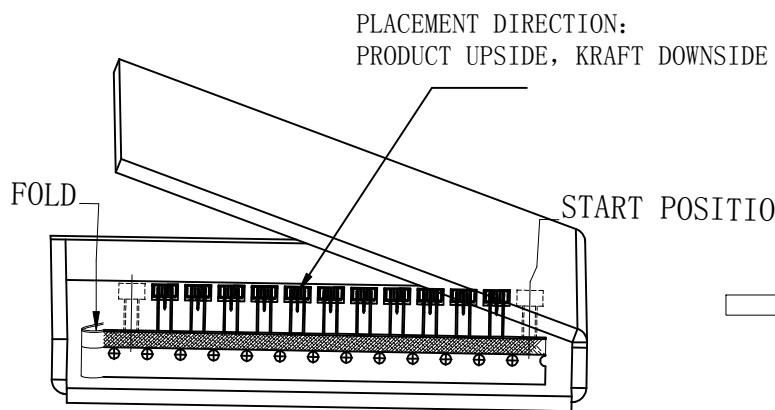
ALL RIGHTS RESERVED.

REVISIONS

P	LTR	DESCRIPTION	DATE	DWN	APVD
-	-	SEE SHEET 1	-	-	-



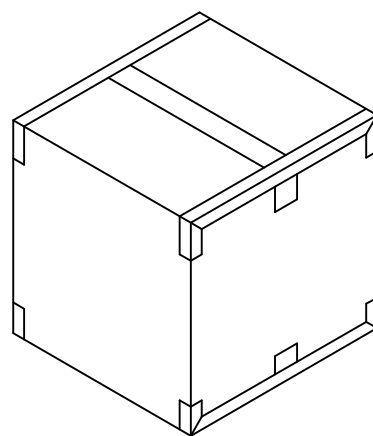
1、SPONGE:12.7PITCH\*26=330.2



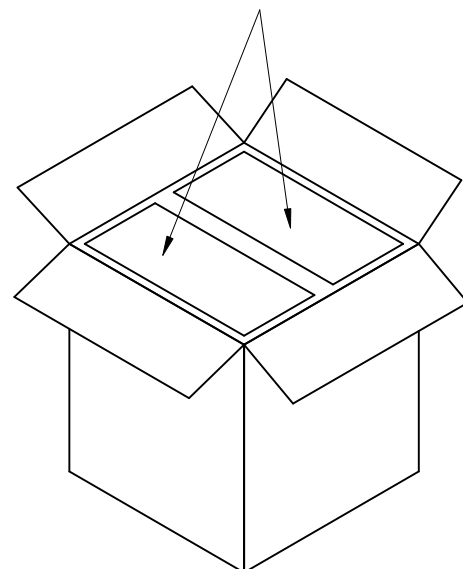
1、QUANTITY:2POS--1500pcs/BOX  
 3POS--1500pcs/BOX  
 4POS--720pcs/BOX

LABEL LOCATION AREA

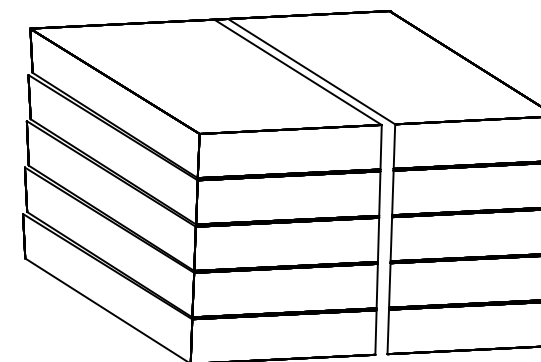
TOTAL 2 COLUMNS



QUANTITY:  
 2POS&3POS:1500x10=15000PCS  
 4POS:720x10=7200PCS



DIM: 600\*370\*240



1 COLUMN

	△	
4P	8-440052-4	4-440052-4
3P	8-440052-3	4-440052-3
2P	8-440052-2	4-440052-2
POS	P/N	P/N

THIS DRAWING IS A CONTROLLED DOCUMENT.		DWN O. HU 09JUN2003	<b>STE</b> TE Connectivity	
DIMENSIONS: mm		CHK A. WU 09JUN2003		
TOLERANCES UNLESS OTHERWISE SPECIFIED:		APVD J. CHENG 09JUN2003	NAME	
0 PLC ± -		PRODUCT SPEC		2.5 MM PITCH HPI VERTICAL POST HEADERS
1 PLC ± -		APPLICATION SPEC		
2 PLC ± -		108-57099		RESTRICTED TO
3 PLC ± -		WEIGHT 0.000000		
4 PLC ± -		SIZE A3		CAGE CODE 00779
ANGLES ± -		DRAWING NO C=440052		
FINISH		CUSTOMER DRAWING		SCALE 1:1
MATERIAL		SHEET 5 of 5		REV C7

# Mouser Electronics

Authorized Distributor

Click to View Pricing, Inventory, Delivery & Lifecycle Information:

[TE Connectivity:](#)

[1-440052-1](#)