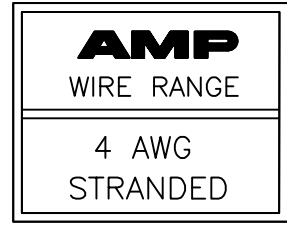
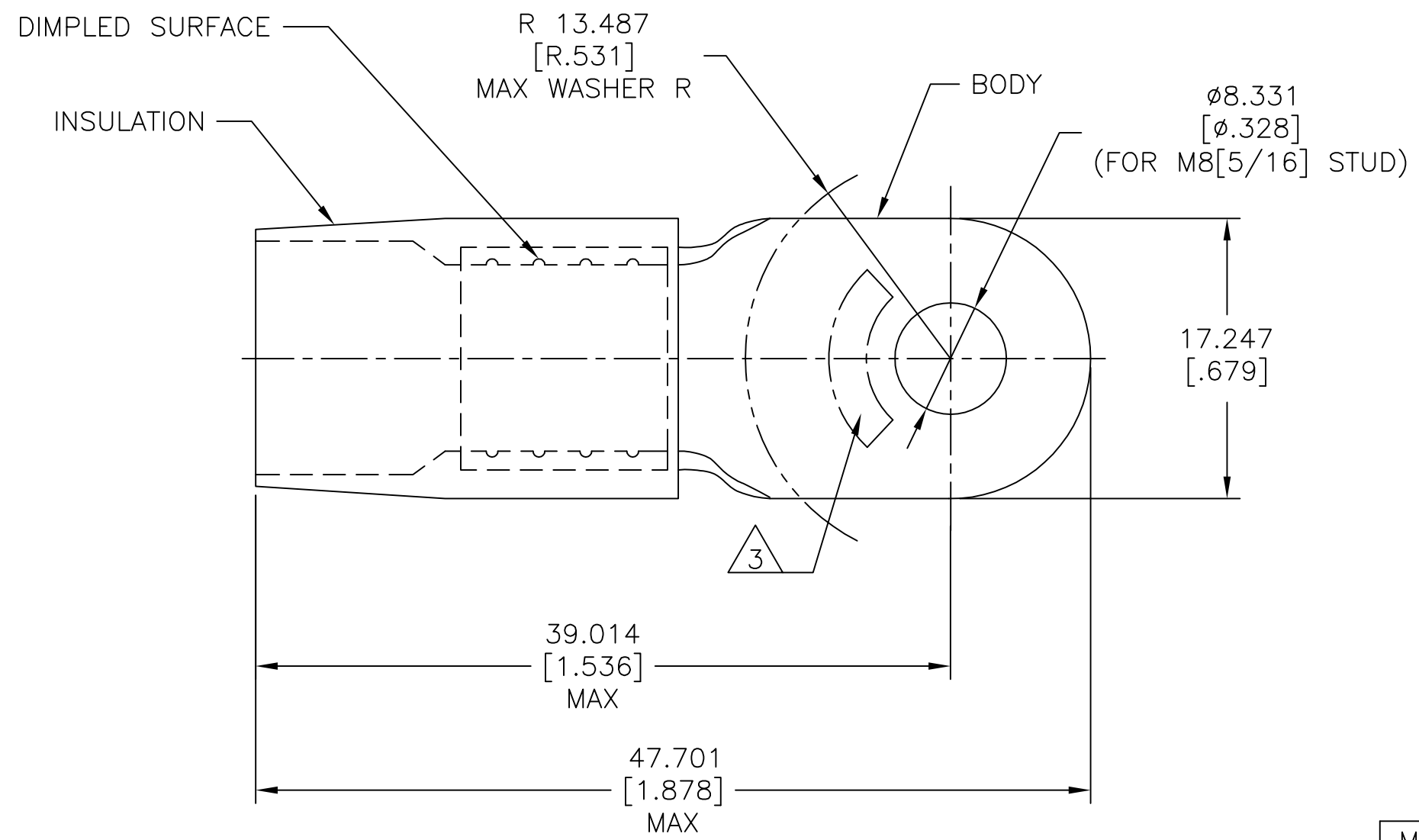


REVISIONS					
P	LTR	DESCRIPTION	DATE	DWN	APVD
	F	EC 0720-0279-93	6-18-93	SSG	BB
	F1	REVISED PER ECO-17-014333	16OCT2017	RS	DR



- 1 BODY MATERIAL THK 1.219±0.051[.048±.002]
- 2 FOR  $\phi 9.703[\phi .382]$  MAX WIRE INS.
- 3 STAMP AMP 4\* APPROX AS SHOWN.



MS25036-124 CLASS 2	100	LOOSE PC	324051
MILITARY P/N AND CLASS	QTY	PACKAGE TYPE	PART NO

AMP INCORPORATED CUSTOMER SERVICE SYSTEMS		MAX RECOMMENDED OPERATING TEMPERATURE: 105°C[221°F]	THIS DRAWING IS A CONTROLLED DOCUMENT.		DWN S.S. GOULDEN 6-18-93	TE Connectivity NAME TERMINAL, RING TONGUE, TERMINYL WIRE SIZE: 4 AWG				
FOR ADDITIONAL PRODUCT INFORMATION OR COPIES OF DRAWINGS AND TECHNICAL DOCUMENTS	PRODUCT INFORMATION CENTER 1-800-522-6752	VOLTAGE RATING: -	DIMENSIONS: mm [INCHES]	TOLERANCES UNLESS OTHERWISE SPECIFIED:	CHK R. HERSEY 6-18-93					SAE AS7928
FOR APPLICATION TOOLING INFORMATION	TOOLING ASSISTANCE CENTER 1-800-722-1111	CIRCULAR MIL AREA: 16.8-26.7mm <sup>2</sup> [33,100-52,600] STRANDED		0 PLC ± -	APVD B. BARE 6-18-93	PRODUCT SPEC				
FOR ORDER ENTRY	1-800-526-5142	THIS DRAWING IS A CONTROLLED DOCUMENT FOR AMP INCORPORATED. IT IS SUBJECT TO CHANGE AND THE CONTROLLING ENGINEERING ORGANIZATION SHOULD BE CONTACTED FOR THE LATEST REVISION.		MATERIAL	1 PLC ± -	PRODUCT SPEC	APPLICATION SPEC			
			INSULATION: NYLON ASTM D4066 TYPE I	2 PLC ± -	WEIGHT	SIZE CAGE CODE DRAWING NO RESTRICTED TO				
			INSULATION: COLOR-YELLOW	3 PLC ± 0.127[.005]	A300779		C-324051		SCALE NTS SHEET 1 OF 1 REV F1	
				4 PLC ± -	CUSTOMER DRAWING					
				ANGLES ± -						

# Mouser Electronics

Authorized Distributor

Click to View Pricing, Inventory, Delivery & Lifecycle Information:

[TE Connectivity:](#)

[324051](#)