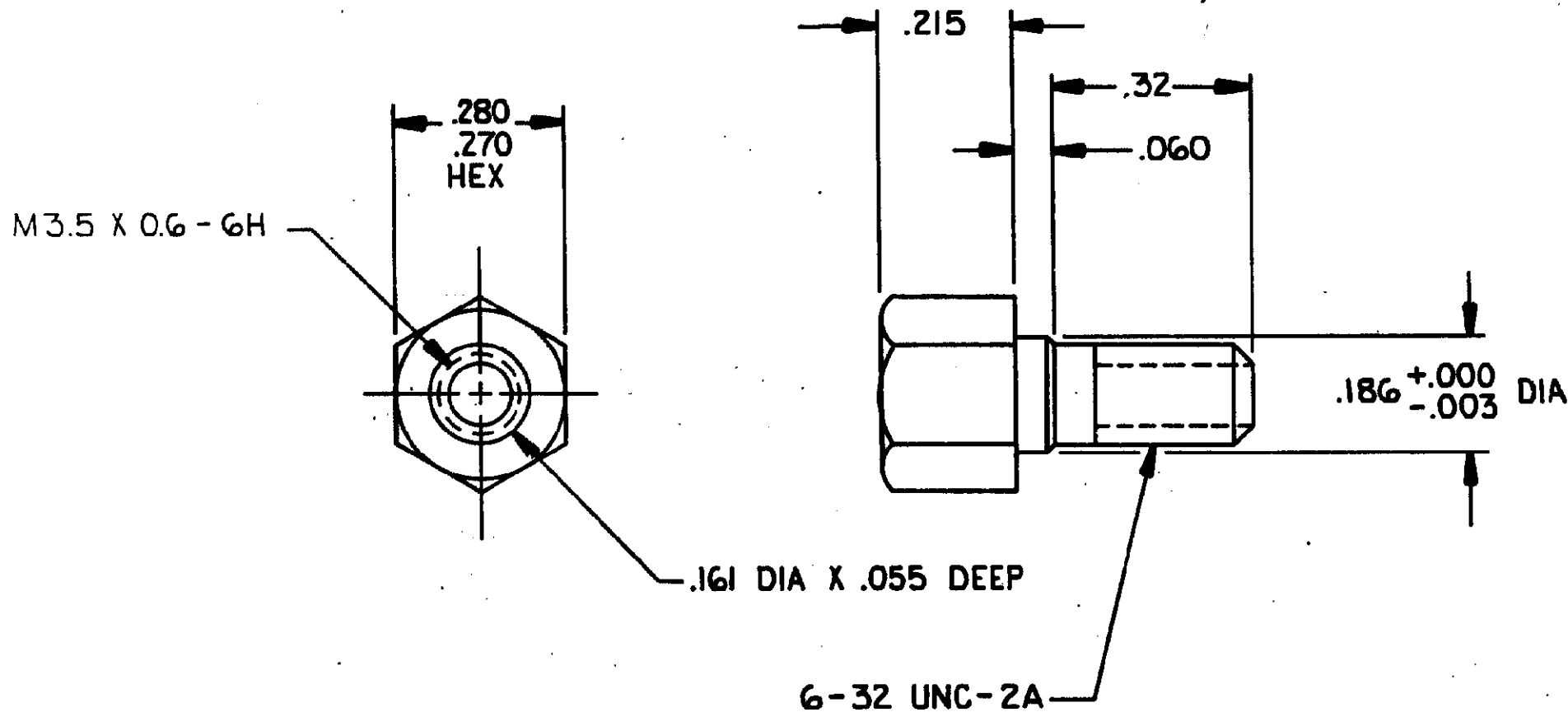


REVISIONS						
P	F	ZONE	LTR	DESCRIPTION	DATE	APPROVED
C	✓		C1	REVISED PER ECO-11-005294	11APR11	HMR



1. ALL DIMENSIONS SHOWN ARE MAXIMUM UNLESS OTHERWISE SPECIFIED.
2. MATERIAL: BLACK OXIDE COATED CARBON STEEL.
3. TWO OF EACH COMPONENT REQUIRED PER KIT.
4. ONE KIT SHIPPED PER POLY BAG.
5. PARTS COATED WITH AMP APPROVED CORROSION PREVENTATIVE.

554808-1

UNLESS OTHERWISE SPECIFIED DIMENSIONS ARE IN INCHES. TOLERANCES ON: DECIMALS ± ANGLES ±		CONTRACT NO		TE Connectivity	
MATERIAL		DR <i>S. Pozbanchuk</i> 4-2-85			
FINISH		CHK <i>J. Cantu</i> 4-5-85		NAME HARDWARE KIT, STANDOFF STUD, METRIC, CHAMP	
		APPD <i>George J. Smith</i> 4-5-85		SIZE B	FSCM NO 00779
		APPD <i>M. K. Antwick</i> 4/5/85		DRAWING NO 554808	
		DSGN APPD		SCALE 4:1	
		OTHER APPD		SHEET 1 OF 1	

CUSTOMER DRAWING

Mouser Electronics

Authorized Distributor

Click to View Pricing, Inventory, Delivery & Lifecycle Information:

[TE Connectivity:](#)

[554808-1](#)