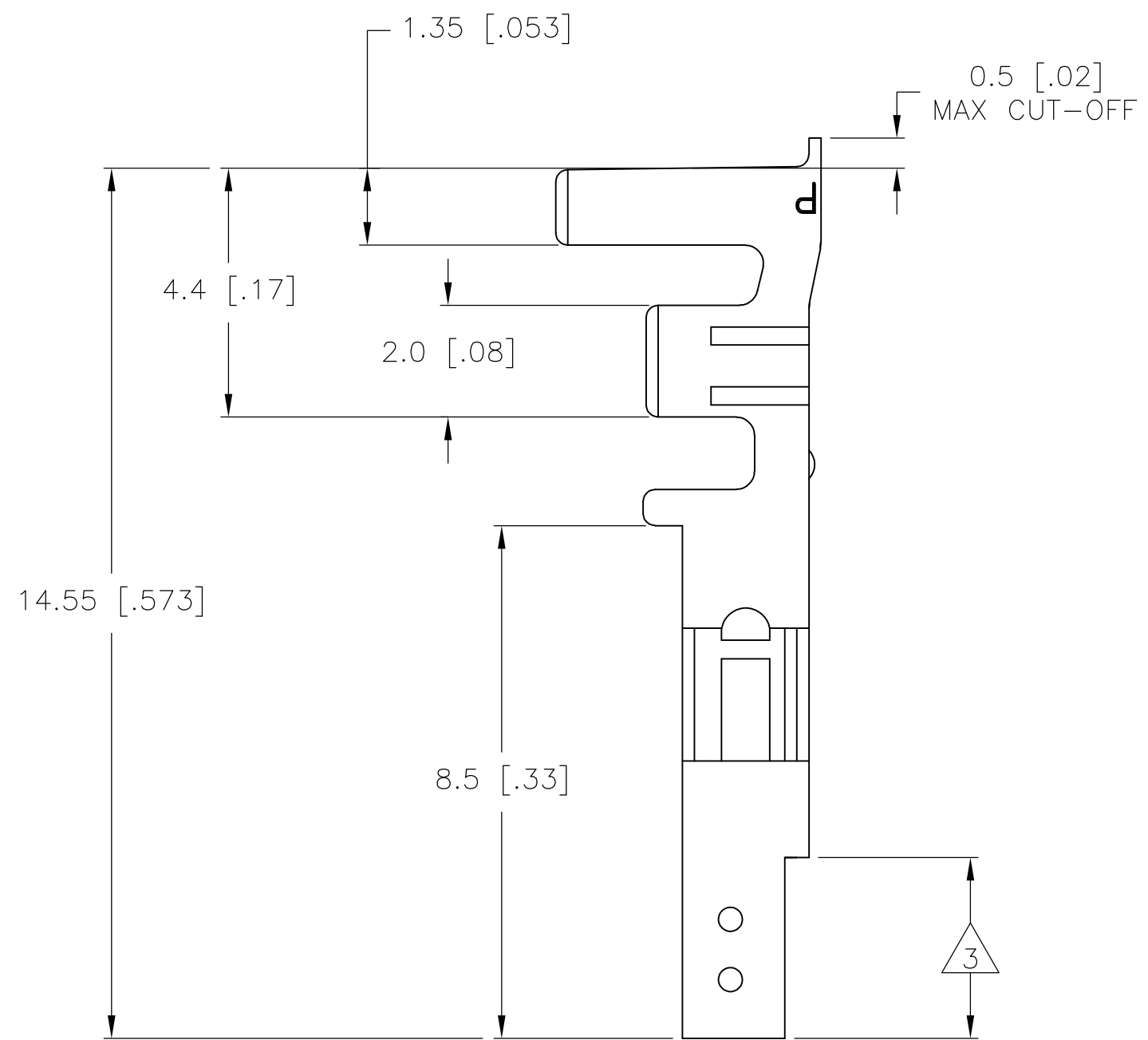
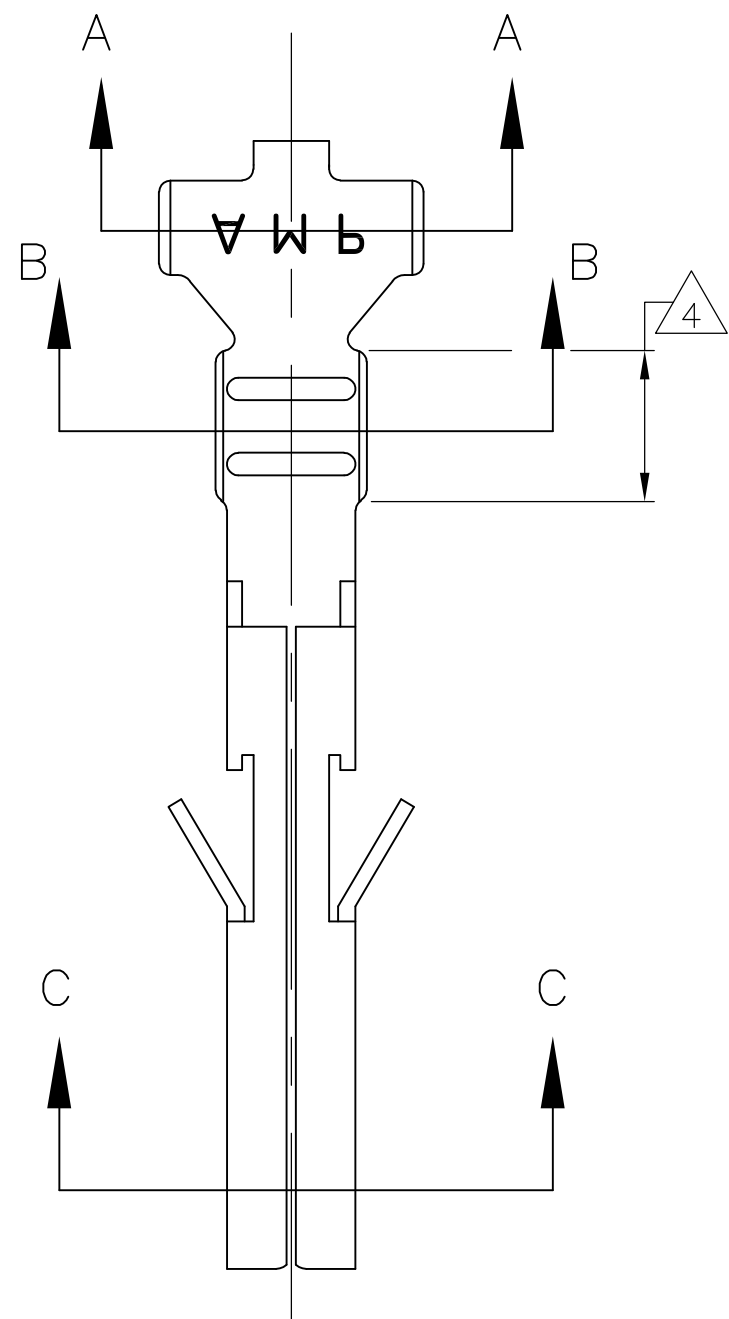
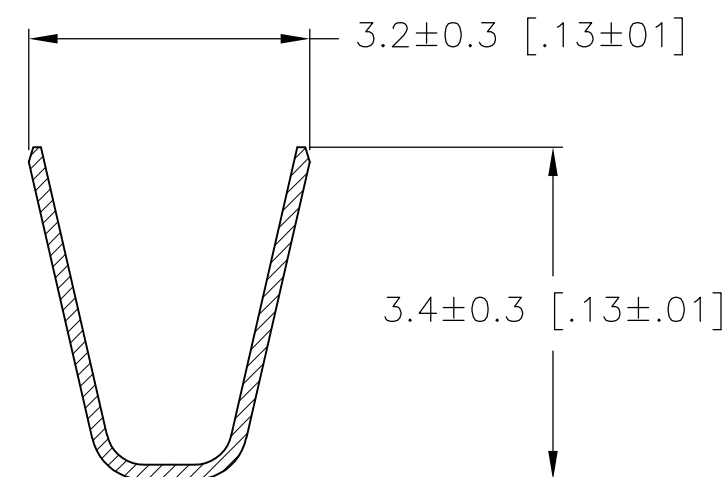


THIS DRAWING IS UNPUBLISHED. RELEASED FOR PUBLICATION
 © COPYRIGHT - By - ALL RIGHTS RESERVED.

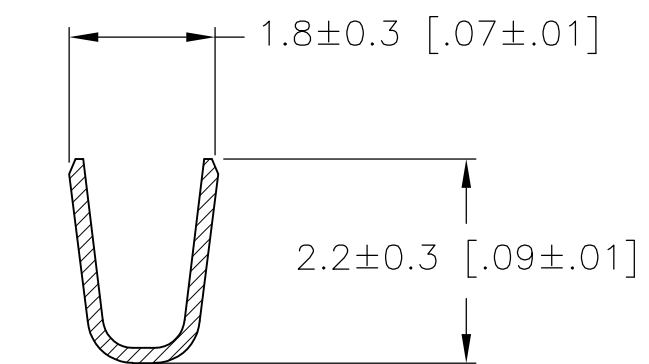
LOC		DIST		REVISIONS			
P	LTR	DESCRIPTION		DATE	DWN	APVD	
CM	00	A1	REVISED PER ECO-11-005027		11MAR11	RK	HMR



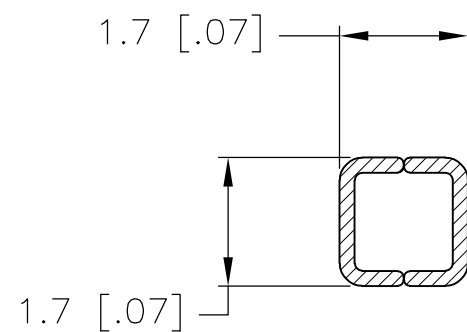
- 1 WIRE RANGE: 0.13-0.32mm² (22-26 AWG).
- 2 INSULATION RANGE: 1.20-1.75 DIA.
- 3 FINISH: 0.76µm MIN GOLD OVER 1.27µm MIN NICKEL REQUIRED ON INNER SURFACE, PERMITTED ON OUTER SURFACE.
- 4 FINISH: 2.54µm MIN TIN ON ALL SURFACES IN THIS AREA.



SECTION A-A



SECTION B-B



SECTION C-C

GOLD	3 4	PHOS. BRZ.	1586317-4
PRE-TIN		PHOS. BRZ.	1586317-3
GOLD	3 4	BRASS	1586317-2
PRE-TIN		BRASS	1586317-1
FINISH:		MATERIAL:	PART NO.

THIS DRAWING IS A CONTROLLED DOCUMENT.		DWN	S. HOOVER	14-OCT-2003	
DIMENSIONS: mm [INCHES]		CHK	D. COLEY	14-OCT-2003	
TOLERANCES UNLESS OTHERWISE SPECIFIED:		APVD	D. COLEY	14-OCT-2003	
0 PLC ± 1 PLC ± 0.3 [.01] 2 PLC ± 0.15 [.004] 3 PLC ± 0.050 [.0020] 4 PLC ± ANGLES ±		PRODUCT SPEC	NAME		
MATERIAL		APPLICATION SPEC	TERMINAL LOOSE PIECE, SOCKET VAL-U-LOK(TM)		RESTRICTED TO
FINISH		WEIGHT	SIZE	A2	CAGE CODE
CUSTOMER DRAWING		SCALE	10:1	DRAWING NO	C=1586317
		SHEET	1 OF 1	REV	A1

Mouser Electronics

Authorized Distributor

Click to View Pricing, Inventory, Delivery & Lifecycle Information:

[TE Connectivity:](#)

[1586317-4](#)