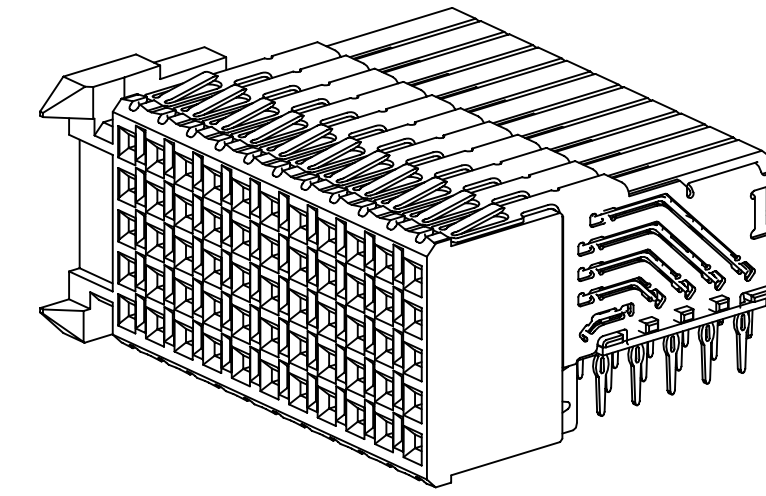
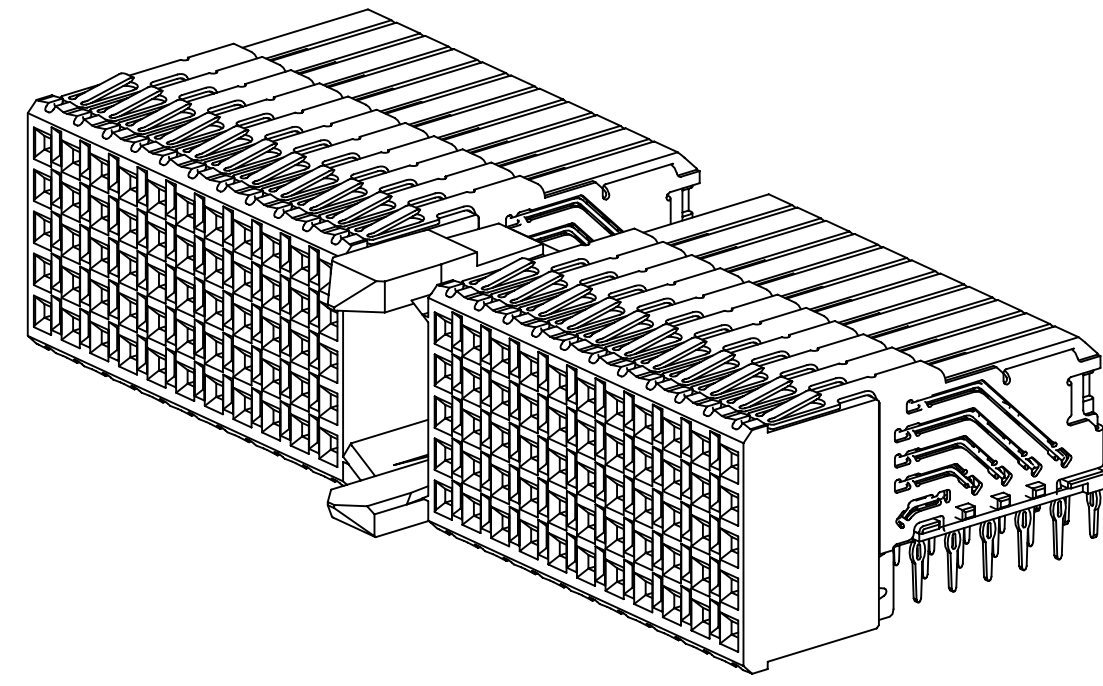
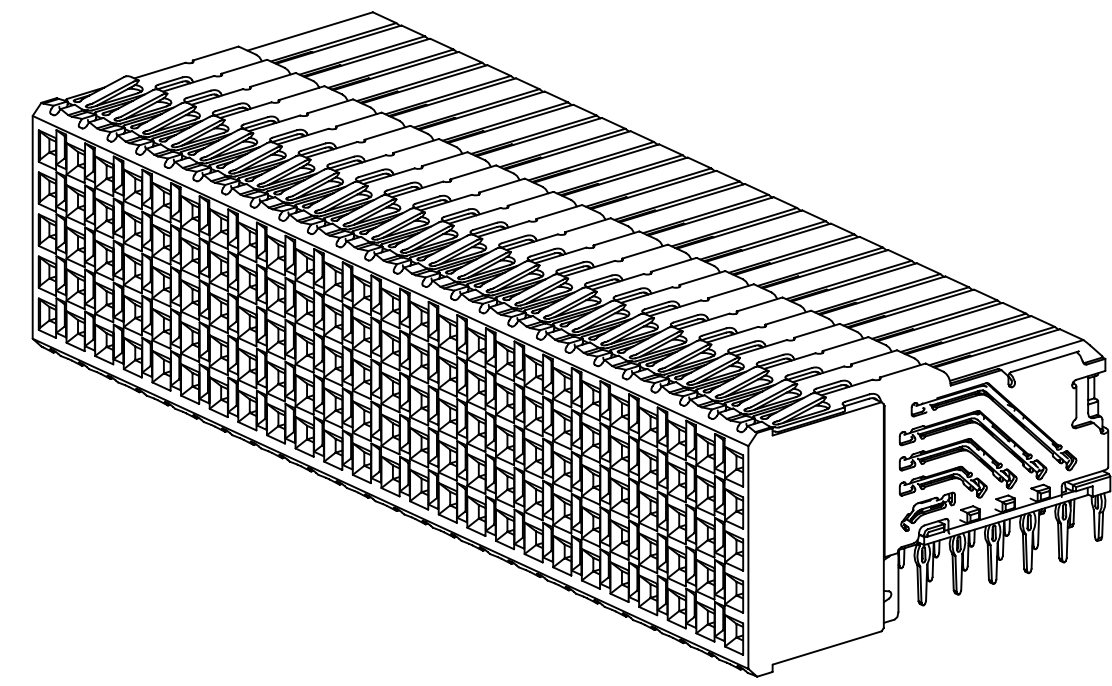


3M™ ULTRA HARD METRIC (UHM) PRESS-FIT SOCKET CONNECTORS, 5-ROW
FOR 2MM HARD METRIC APPLICATIONS

NOTES

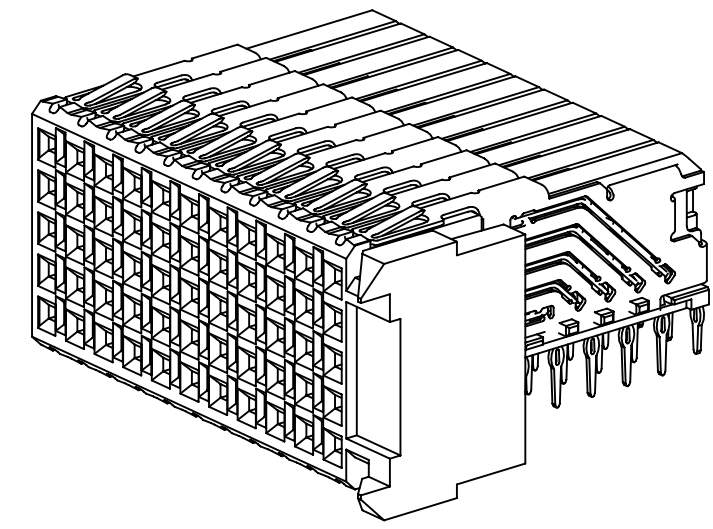
- MATERIAL:
PLASTIC: HIGH TEMP LCP,
UL94V-0
CONTACTS: COPPER ALLOY.
- REGULATORY INFORMATION:
ROHS COMPLIANT. SEE THE
REGULATORY INFORMATION
APPENDIX (RIA) IN THE
"ROHS COMPLIANCE" SECTION
OF WWW.3MCONNECTORS.COM FOR
COMPLIANCE INFORMATION.
- IN THE EVENT OF CONFLICT
BETWEEN THIS DATA AND THAT
CONTAINED IN THE PRODUCT
SPECIFICATION, THE PRODUCT
SPECIFICATION TAKES PRECEDENT.



UHM-S055BX-5AP1-XXXXX
UHM-S095BX-5AP1-XXXXX
UHM-S110BX-5AP1-XXXXX
UHM-S125BX-5AP1-XXXXX

UHM-S110AX-5AP1-XXXXX

UHM-S055CLX-5AP1-XXXXX



UHM-S055CRX-5AP1-XXXXX

MECHANICAL:

NORMAL FORCE (NOMINAL): .57N [58g] SIGNAL,
(.74N [75g] SHIELD WITH HSHM AND UHM HEADERS)
ENGAGEMENT FORCE (NOMINAL): .32N [33g] SIGNAL,
(.22N [22g] SHIELD WITH HSHM AND UHM HEADERS)
SEPARATION FORCE (NOMINAL): .20N [20g] SIGNAL,
(.20N [20g] SHIELD WITH HSHM AND UHM HEADERS)
WIPE (NOMINAL, SHORTEST CONTACT): 2.67 [.105] SIGNAL, 1.57 [.062] SHIELD
MATE/UNMATE CYCLES: 250
APPLICATION: THIS MODULE IS NOT SUITABLE FOR
STAND-ALONE USE. ADDITIONAL GUIDE
FEATURES RECOMMENDED PER IEC 61076-4-101

ELECTRICAL:

DATA RATE: 7+ Gbps DATA RATES
(WHEN MATED TO STANDARD
IEC 61076-4-101 HEADERS)
CHARACTERISTIC IMPEDANCE: 50Ω SINGLE-ENDED, 100Ω DIFFERENTIAL
CURRENT RATING (FULLY LOADED): 1A @ 70°C SIGNAL
INSULATION RESISTANCE: 10⁴ MΩ @ 100 V_{dc}
WITHSTANDING VOLTAGE: 625V_{RMS}

ENVIRONMENTAL:

TEMPERATURE RATING: -55°C TO 125°C

ORDERING INFORMATION

UHM-SXXXXYZ-5AP1-XXXXX

SOCKET POSITION
AND TYPE

PLATING:

HIGH SPEED OPTION

0 = 50Ω COAXIAL SINGLE-ENDED AND 100Ω DIFFERENTIAL PAIR
APPLICATIONS FOR CONNECTION TO 5 +2 ROW HEADERS
OUTER ROW GROUND TAILS IN ODD POSITIONS OF ROW F/Z
3 = 50Ω COAXIAL SINGLE-ENDED AND 100Ω DIFFERENTIAL PAIR
APPLICATIONS FOR CONNECTION TO 5 +2 ROW HEADERS
OUTER ROW GROUND TAILS IN ALL POSITIONS OF ROW F/Z

TG30 = .76μM [30μIN] MIN. GOLD ON CONTACT AREA
2.54μM [100μIN] MIN. TIN/LEAD ON TERMINAL AREA (RIA C2 & E2 APPLY)
1.27μM [50μIN] MIN. NICKEL ALL OVER.
STANDARD OPTION.
KR = .76μM [30μIN] MIN. GOLD ON CONTACT AREA
2.54μM [100μIN] MIN. MATTE TIN ON TERMINAL AREA (RIA C1 & E1 APPLY)
1.27μM [50μIN] MIN. NICKEL ALL OVER.

3M ELECTRONIC SOLUTIONS DIVISION
INTERCONNECT SOLUTIONS
http://www.3mconnectors.com

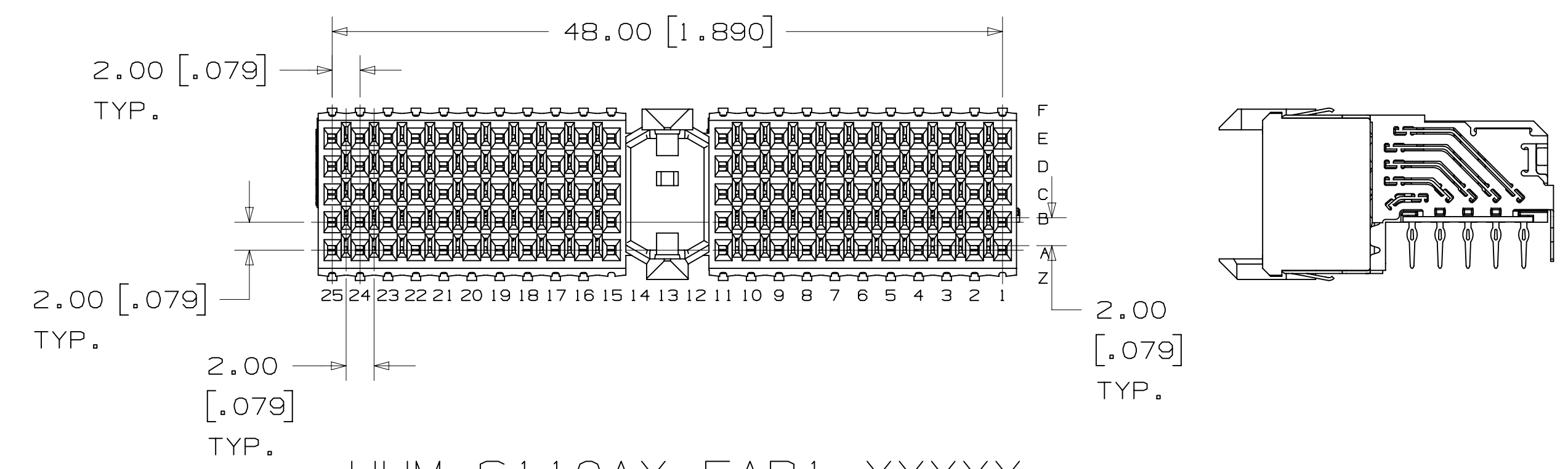
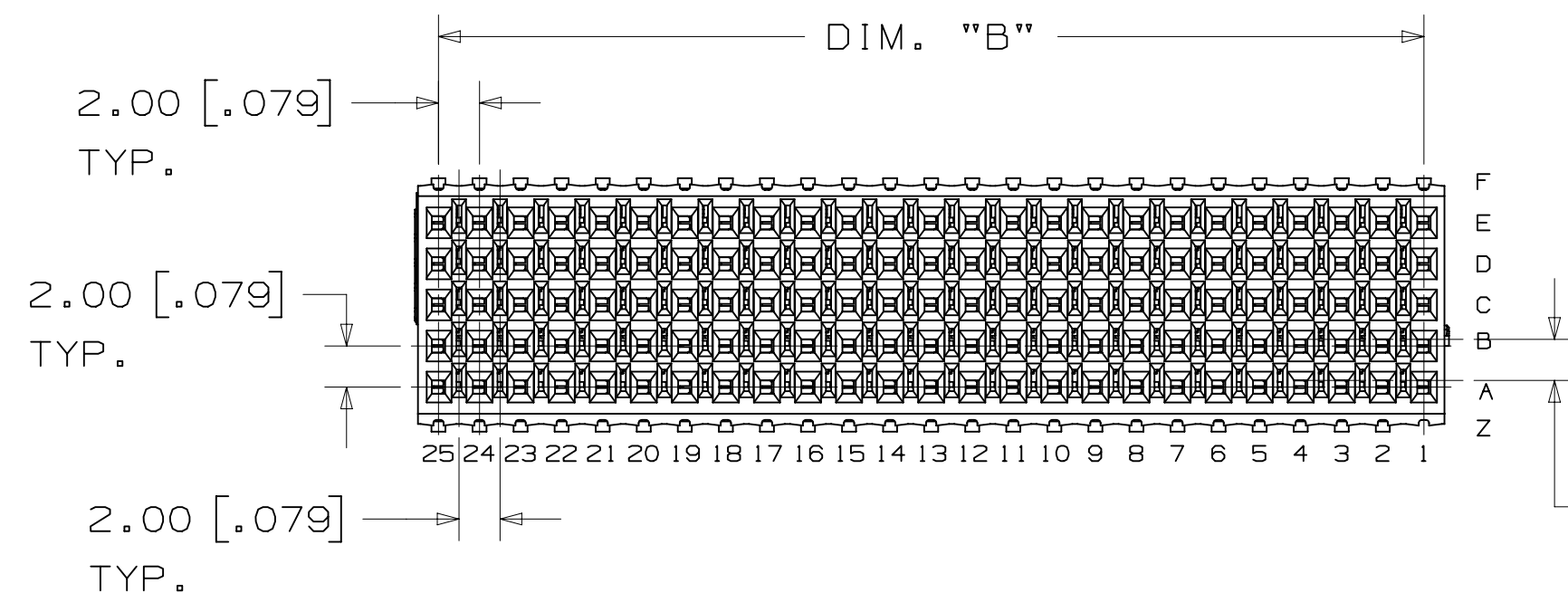
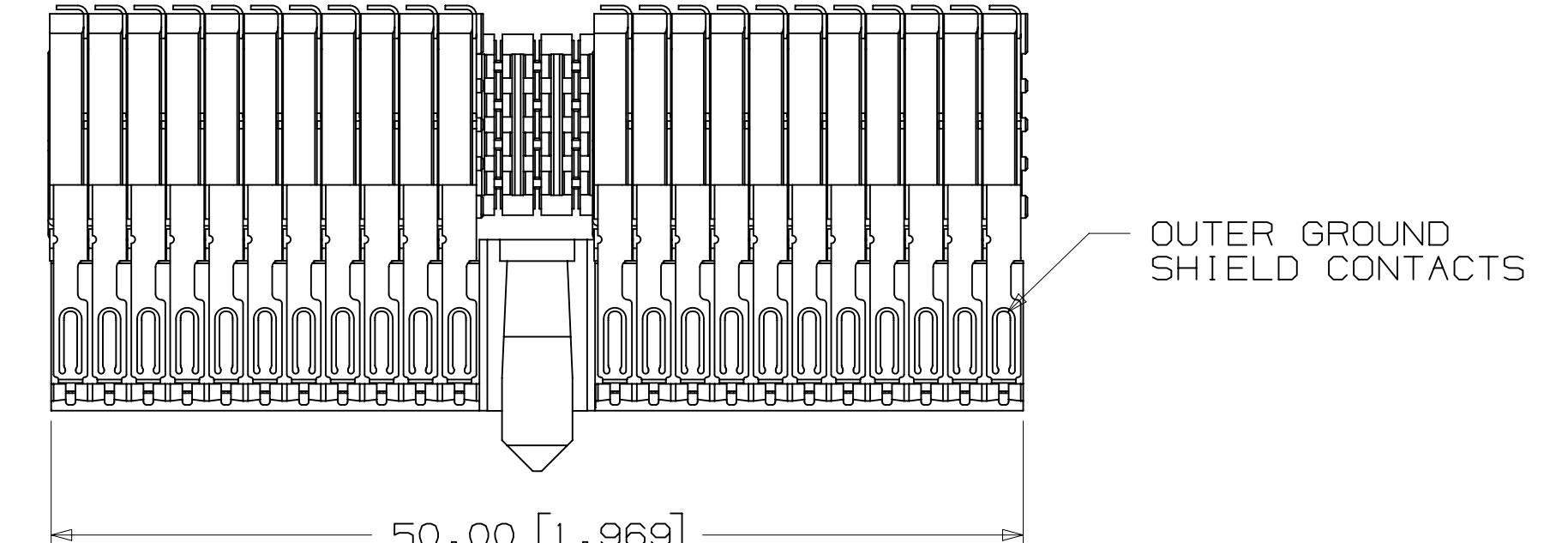
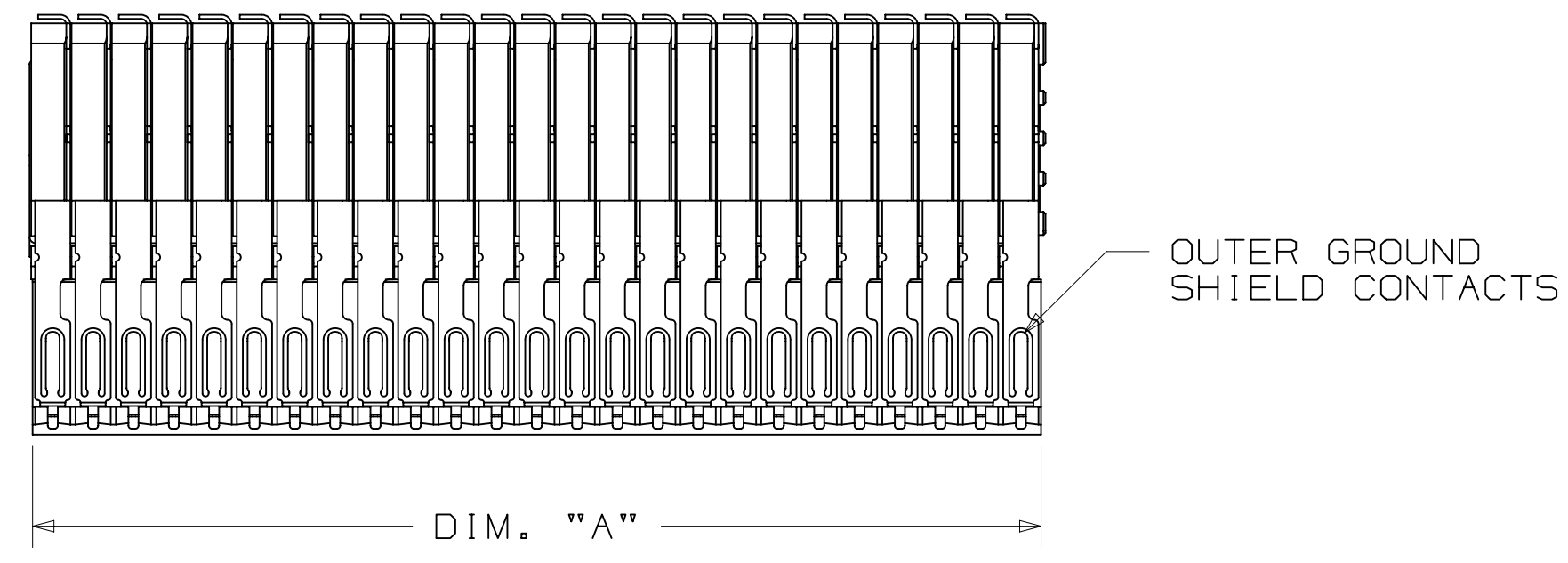
3M IS A TRADEMARK OF 3M COMPANY.
FOR TECHNICAL, SALES OR ORDERING
INFORMATION CALL 800-225-5373

DESIGN REFERENCE	NEXT ASSEMBLY	REV	ECO	ISSUE DATE AND DESCRIPTION	DRFT	CHKD
DIVISION		DIVISION CODE		DATE		
Interconnect Solutions		ISD		MAY 23, 2012		
DO NOT SCALE DRAWING		SCALE 1		TOLERANCES EXCEPT AS NOTED		
THIRD ANGLE PROJECTION		INCHES		MILLIMETERS		
INTERPRET PER ASME Y14.5 - 2009		0 ± .01		.00 ± .005		
MAX SURFACE ROUGHNESS		0 ± .3		.00 ± .13		
MARKED ONLY		ANGLES		SHT 1 OF 3		
3M				© 3M COPYRIGHT 2012		
3M Center, St. Paul, MN 55144				This document and the information it contains are 3M property and may not be reproduced or further distributed without 3M permission, or used or disclosed other than for 3M authorized purposes. All rights reserved.		
TITLE				UHM PRESS-FIT SOCKET, 5-ROW, CONNECTORS		
CAGE NUMBER		SIZE		DRAWING NO.		REV.
D78-5100-2533-7		B		78-5100-2533-7		B
MODEL				SHT 1 OF 3		

78-5100-2533-7

Imaged: B.1 12/4/2014 2:00 PM UTC-06:00

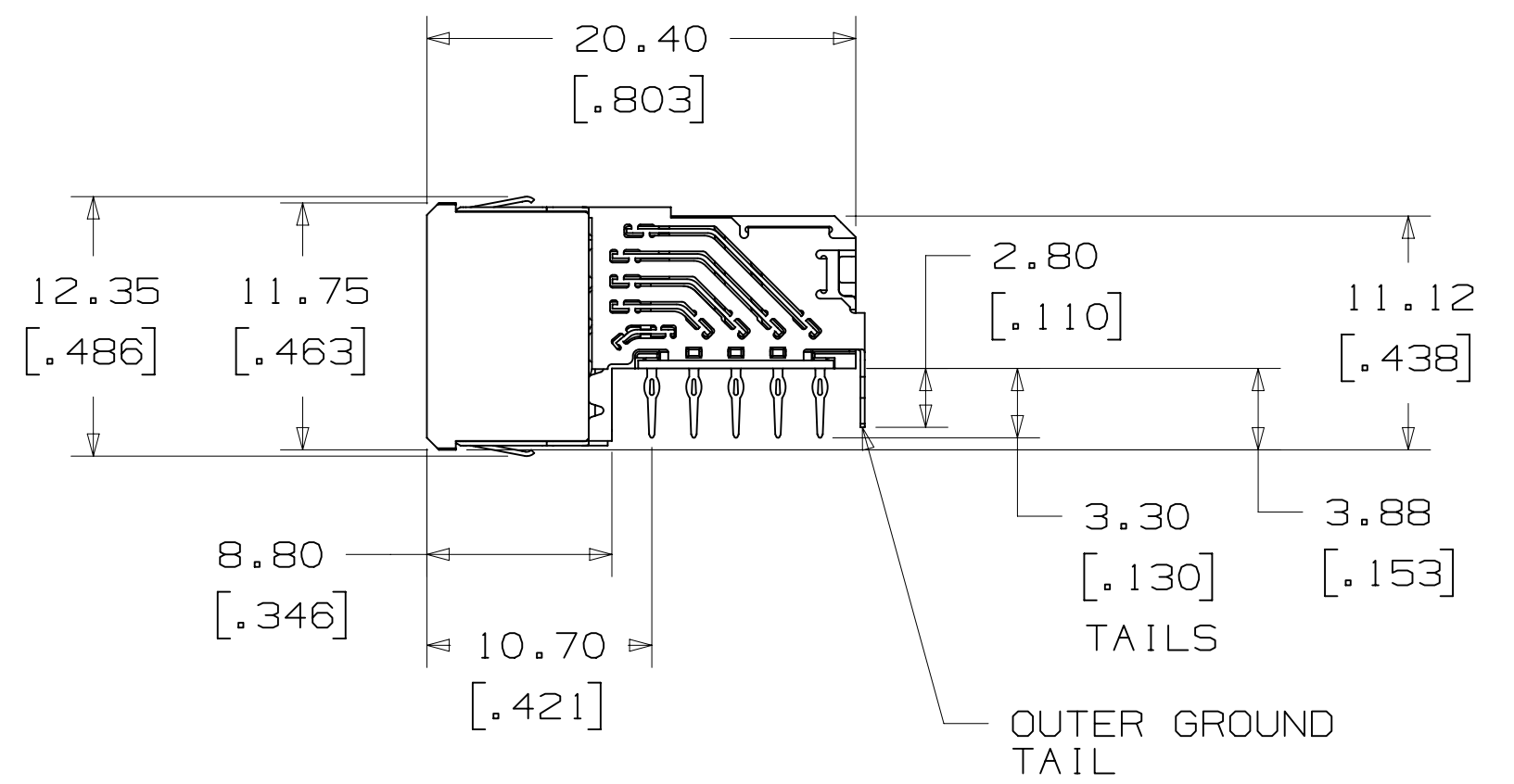
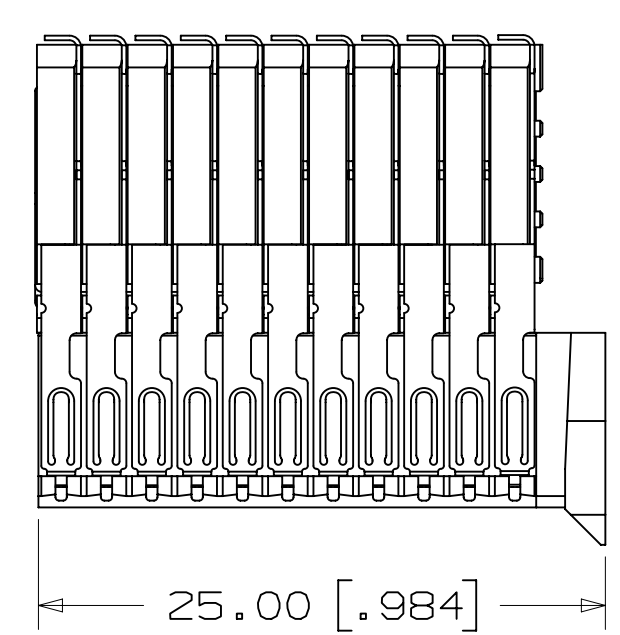
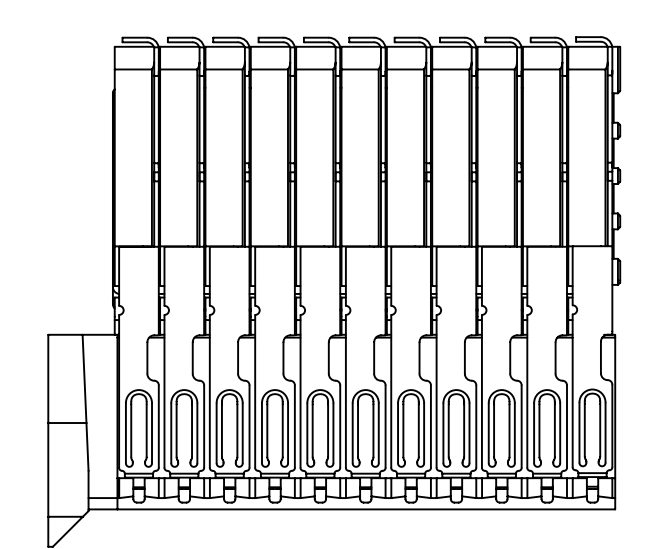
3M™ ULTRA HARD METRIC (UHM) PRESS-FIT SOCKET CONNECTORS, 5-ROW
 FOR 2MM HARD METRIC APPLICATIONS



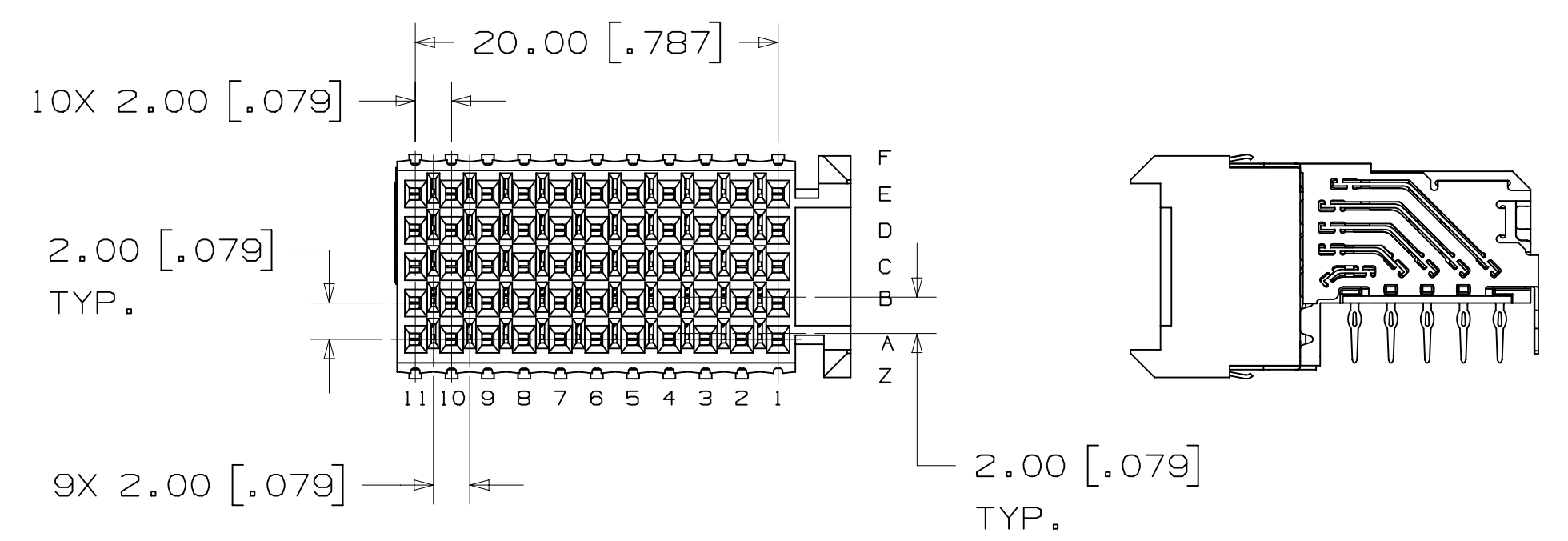
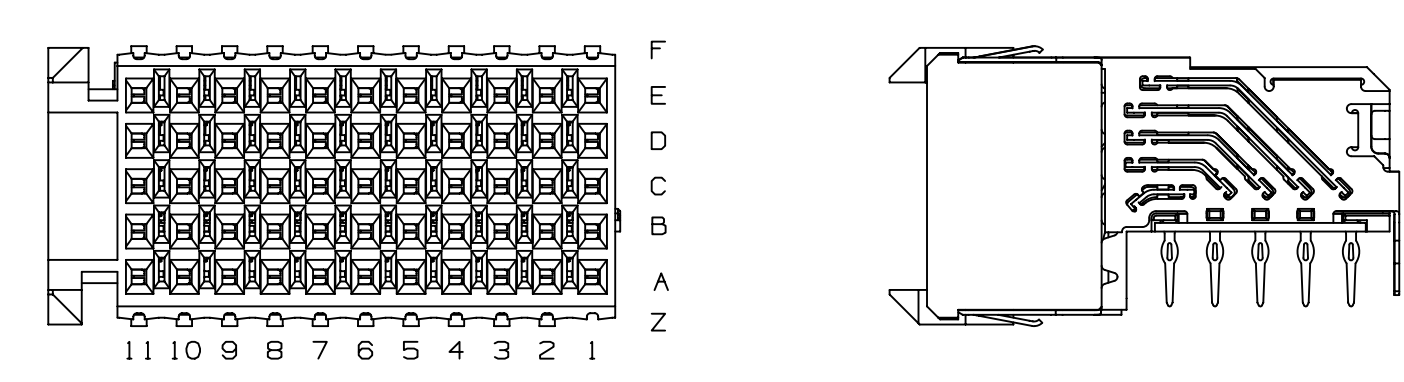
SIGNAL CONTACT QTY.	DIM. "A"	DIM. "B"
055	22.00 [.866]	20.00 [.787]
095	38.00 [1.496]	36.00 [1.417]
110	44.00 [1.732]	42.00 [1.654]
125	50.00 [1.969]	48.00 [1.890]

UHM-S055BX-5AP1-XXXXX
 UHM-S095BX-5AP1-XXXXX
 UHM-S110BX-5AP1-XXXXX
 UHM-S125BX-5AP1-XXXXX

UHM-S110AX-5AP1-XXXXX



TYPICAL SIDE VIEW DIMENSIONS FOR THE SOCKETS ON THIS DRAWING



UHM-S055CLX-5AP1-XXXXX

UHM-S055CRX-5AP1-XXXXX

DESIGN REFERENCE	NEXT ASSEMBLY	REV	ECO	ISSUE DATE AND DESCRIPTION	DRFT	CHKD
		CASTIGLIONE		MAY 23, 2012		
DIVISION CODES		DIVISION CODE		DATE		
Interconnect Solutions		ISD		MAY 23, 2012		
DO NOT SCALE DRAWING	SCALE 3/1	TOLERANCES EXCEPT AS NOTED		DATE		
THIRD ANGLE PROJECTION		INCHES		DATE		
INTERPRET PER ASME Y14.5 - 2009		MILLIMETERS		DATE		
MAX SURFACE ROUGHNESS		0		DATE		
SURFACES		0 ± .3		DATE		
MARKED ONLY		.00 ± .13		DATE		
		.000 ±		DATE		
		ANGLES		DATE		

B	58359	DEC 04, 2014	JNC	TS
A	41080	MAY 24, 2012	JNC	TS
REV	ECO	ISSUE DATE AND DESCRIPTION	DRFT	CHKD
		REMOVE MKRT FEATURES & WITHSTANDING VOLTAGE WAS 750		
		PRODUCTION RELEASE		
		T. SUNIGA		

© 3M COPYRIGHT 2012
 This document and the information it contains are 3M property and may not be reproduced or further distributed without 3M permission, or used or disclosed other than for 3M authorized purposes. All rights reserved.

3M Center St. Paul, MN 55144

TITLE: UHM PRESS-FIT SOCKET, 5-ROW, CONNECTORS

CAGE NUMBER: D78-5100-2533-7

SIZE: B

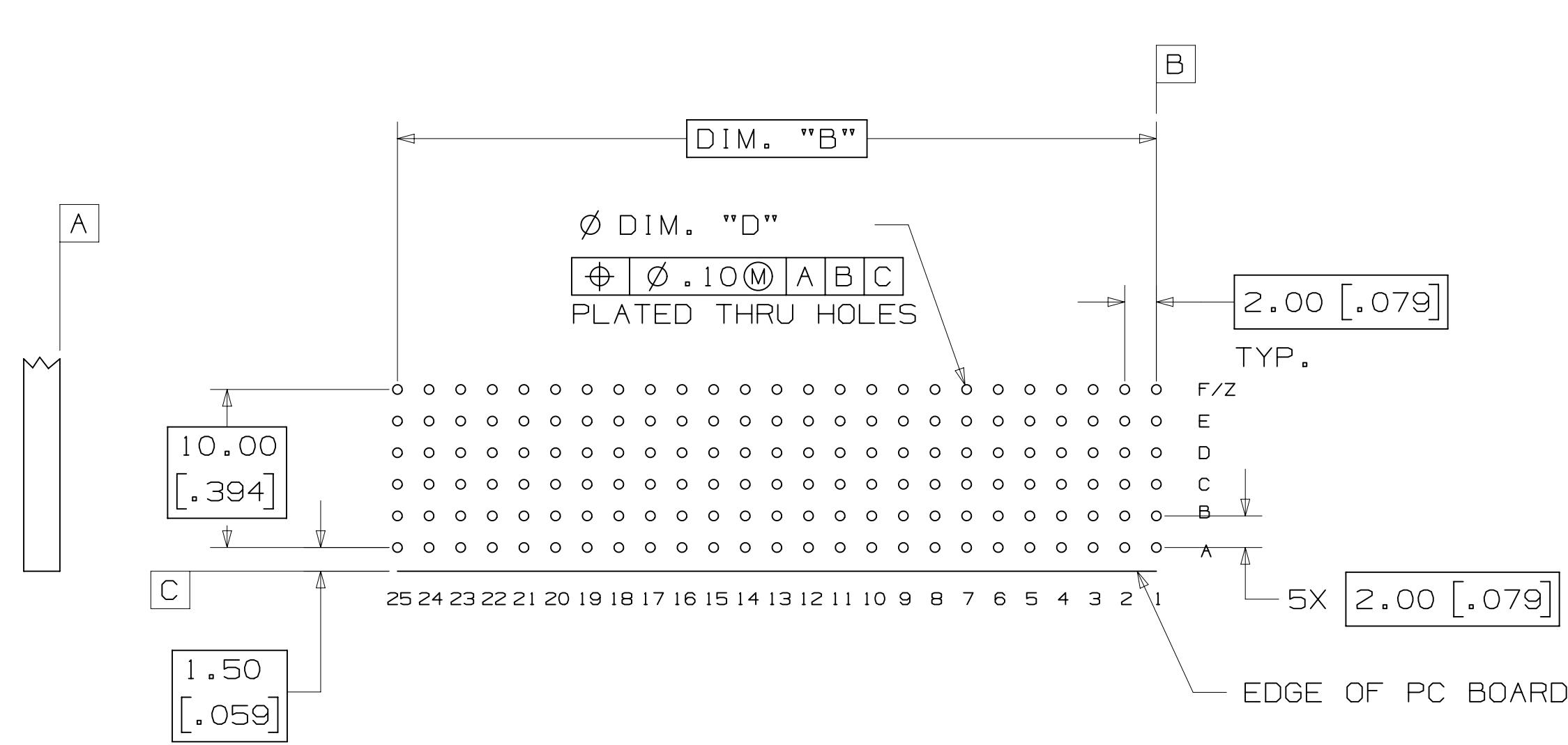
DRAWING NO. 78-5100-2533-7

REV. B

MODEL: SHT 2 OF 3

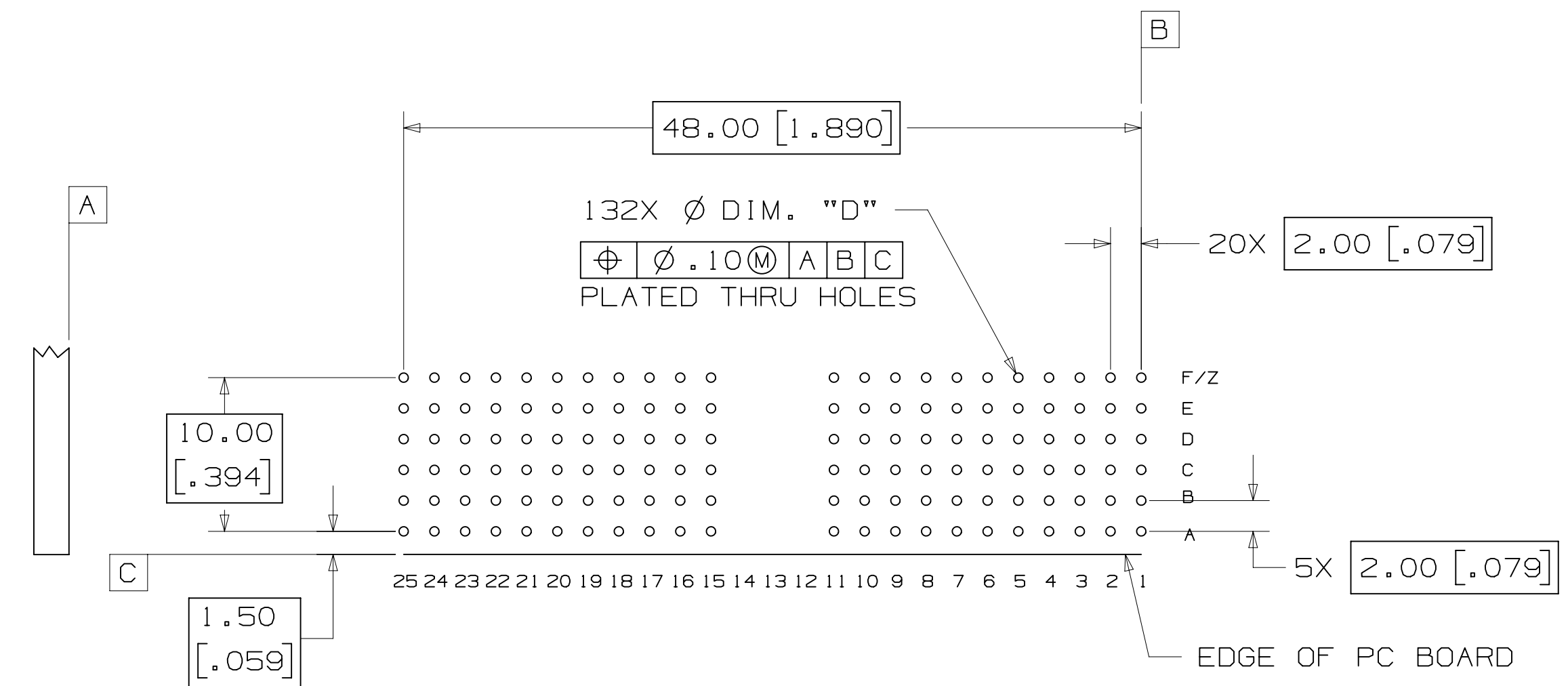
78-5100-2533-7
 B
 12/4/2014 2:00 PM UTC-06:00
 12/4/2014 2:00 PM UTC-06:00

3M™ ULTRA HARD METRIC (UHM) PRESS-FIT SOCKET CONNECTORS, 5-ROW
 FOR 2MM HARD METRIC APPLICATIONS



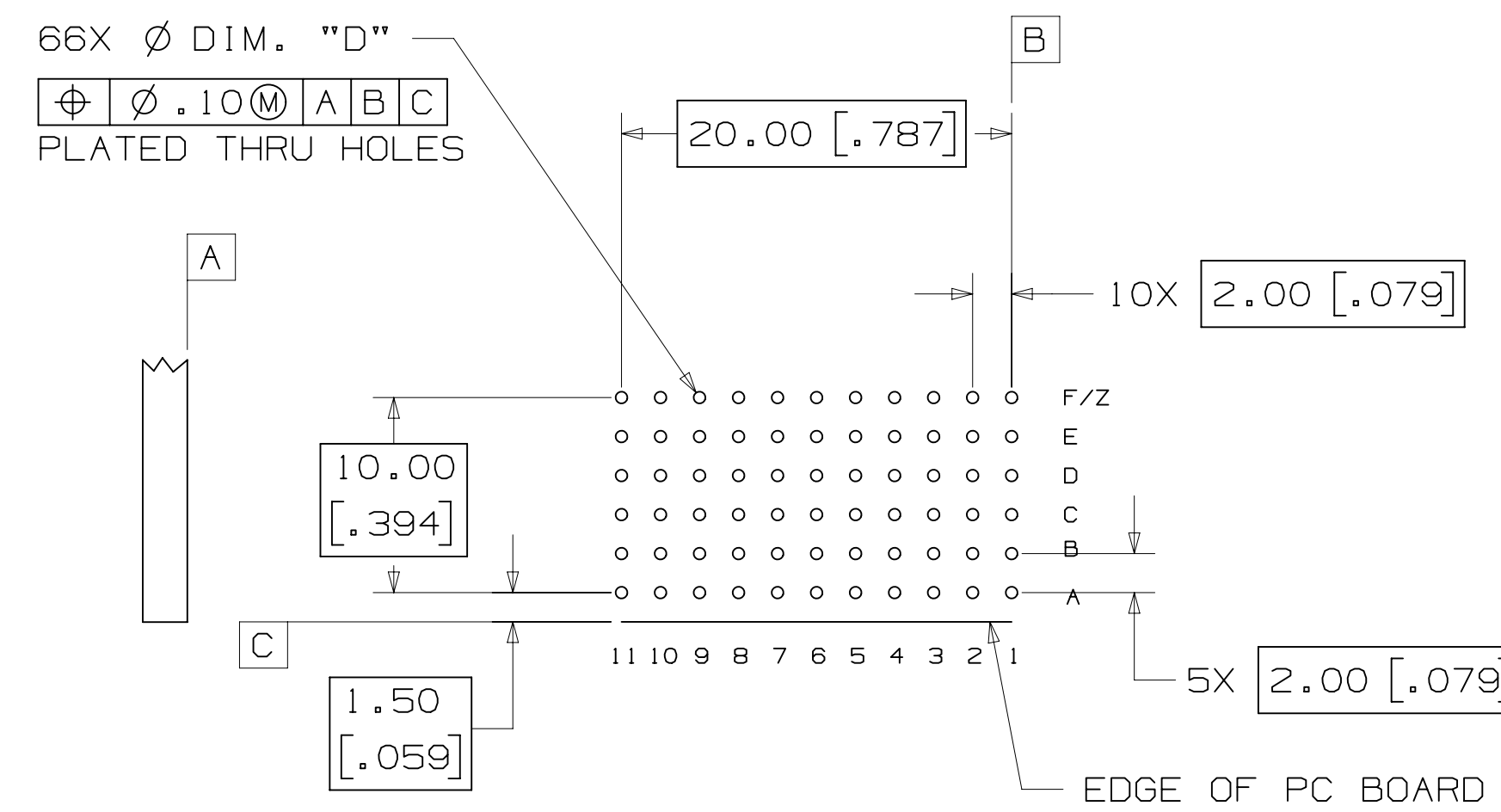
RECOMMENDED HOLE PATTERN FOR UHM-SXXXB0-5AP1
 CONTAINS NO VIAS IN EVEN POSITIONS ON ROW F/Z

- UHM-S055BX-5AP1-XXXXX
- UHM-S095BX-5AP1-XXXXX
- UHM-S110BX-5AP1-XXXXX
- UHM-S125BX-5AP1-XXXXX



RECOMMENDED HOLE PATTERN FOR UHM-S110A-5AP1
 CONTAINS NO VIAS IN EVEN POSITIONS ON ROW F/Z

UHM-S110AX-5AP1-XXXXX



RECOMMENDED HOLE PATTERN FOR UHM-S055CX-5AP1
 CONTAINS NO VIAS IN EVEN POSITIONS ON ROW F/Z

- UHM-S055CLX-5AP1-XXXXX
- UHM-S055CRX-5AP1-XXXXX

RECOMMENDED PCB MOUNTING HOLE PATTERN
 (VIEWED FROM COMPONENT SIDE)

HOLE PLATING TABLE				
HOLE	(FINISHED HOLE)	CU THICKNESS	SnPb THICKNESS	DRILLED HOLE DIA.
DIM. "D"	.550-.650 [.0217-.0256]	.025-.045 [.0010-.0018]	.008-.018 [.0003-.0007]	.686-.727 [.0270-.0286]

DESIGN REFERENCE	NEXT ASSEMBLY	REV	ECO	ISSUE DATE AND DESCRIPTION	DRFT	CHKD
DO NOT SCALE DRAWING	SCALE 3/1	TOLERANCES EXCEPT AS NOTED				
THIRD ANGLE PROJECTION		MILLIMETERS		TITLE UHM PRESS-FIT SOCKET, 5-ROW, CONNECTORS		
MAX SURFACE ROUGHNESS		MILLIMETERS		CAGE NUMBER D 78-5100-2533-7		
<input checked="" type="checkbox"/> MARKED ONLY		INTERPRET PER ASME Y14.5 - 2009		MODEL DET: <input type="checkbox"/> YES <input checked="" type="checkbox"/> NO SHT 3 OF 3		

78-5100-2533-7
 B
 12/4/2014 2:00 PM UTC-06:00

Mouser Electronics

Authorized Distributor

Click to View Pricing, Inventory, Delivery & Lifecycle Information:

3M:

[UHM-S110B0-5AP1-TG30](#) [UHM-S110A3-5AP1-KR](#) [UHM-S110B3-5AP1-TG30](#)