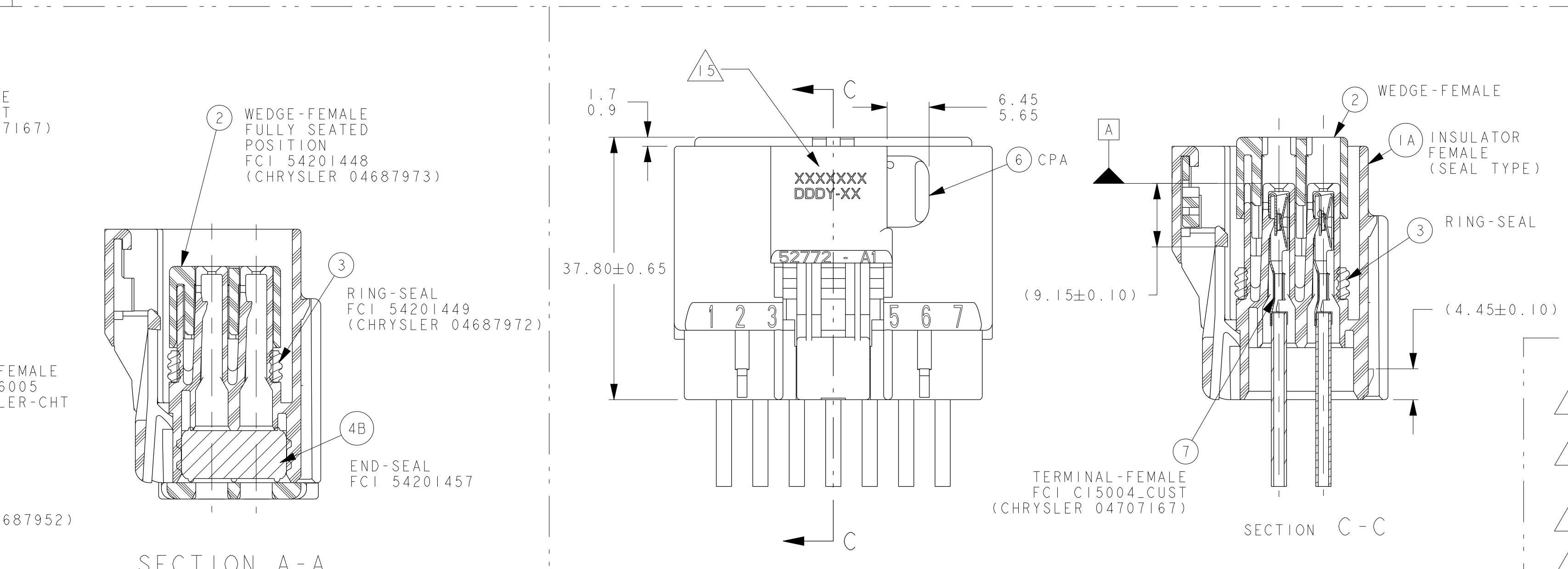
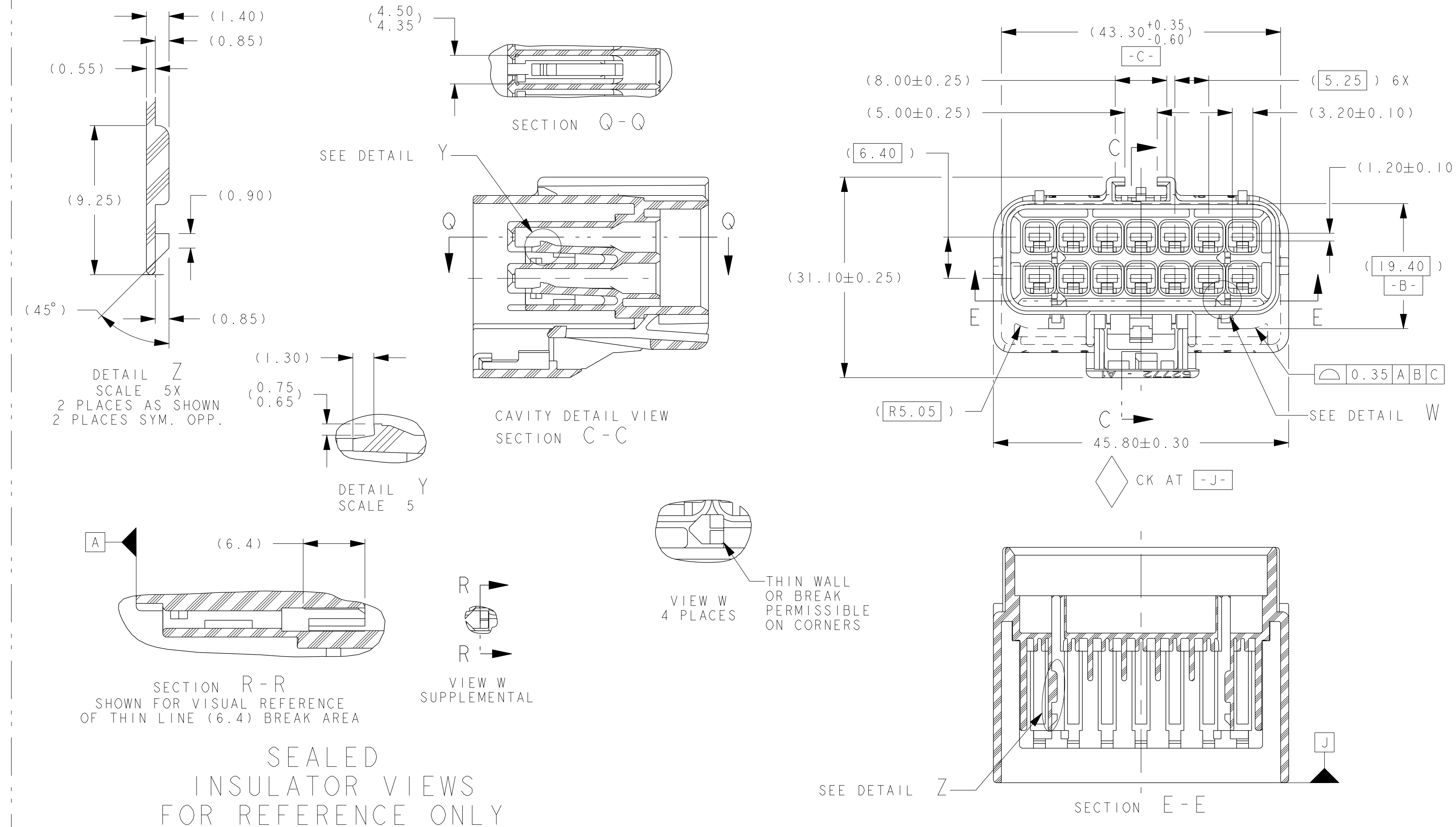
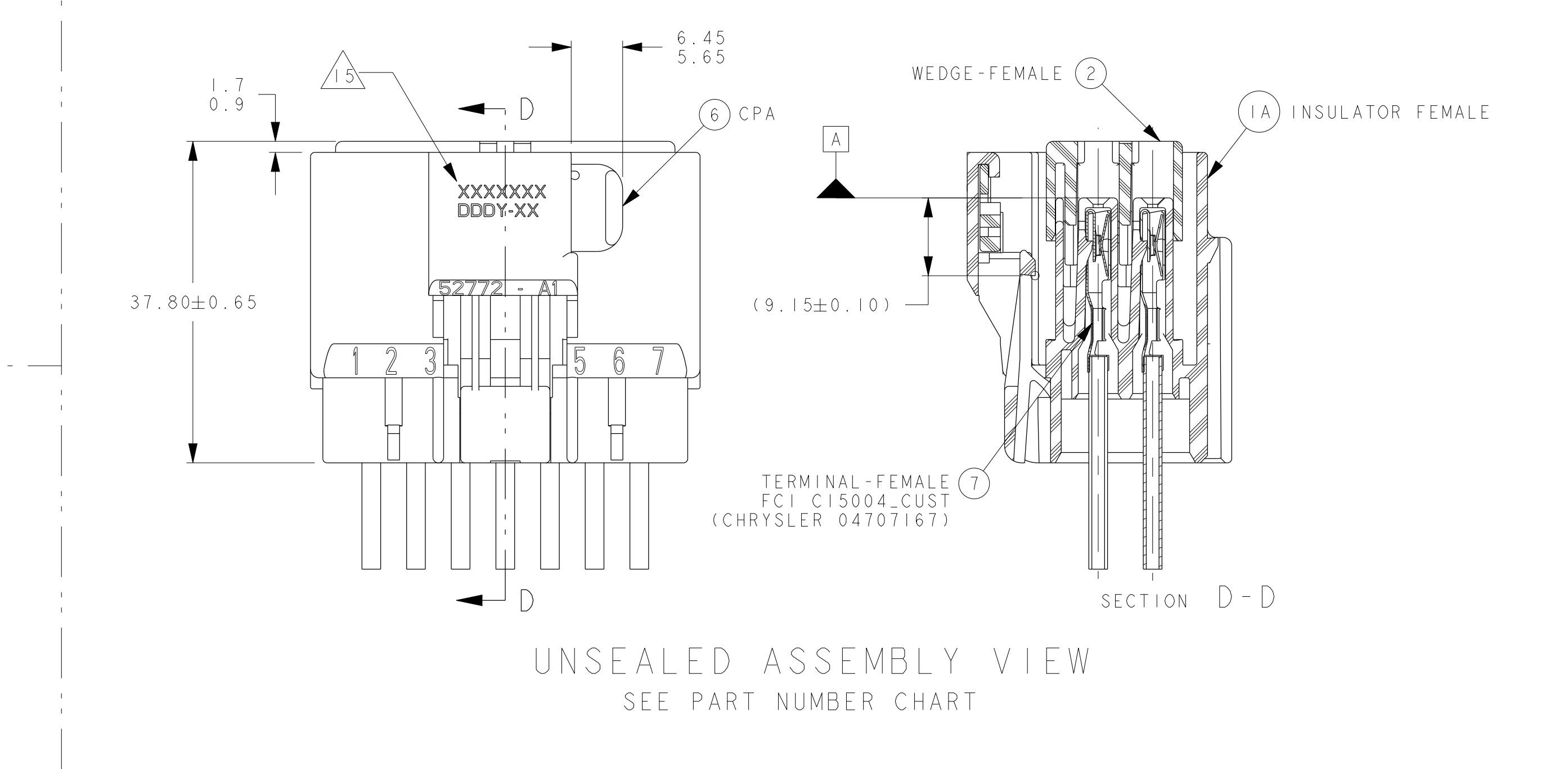
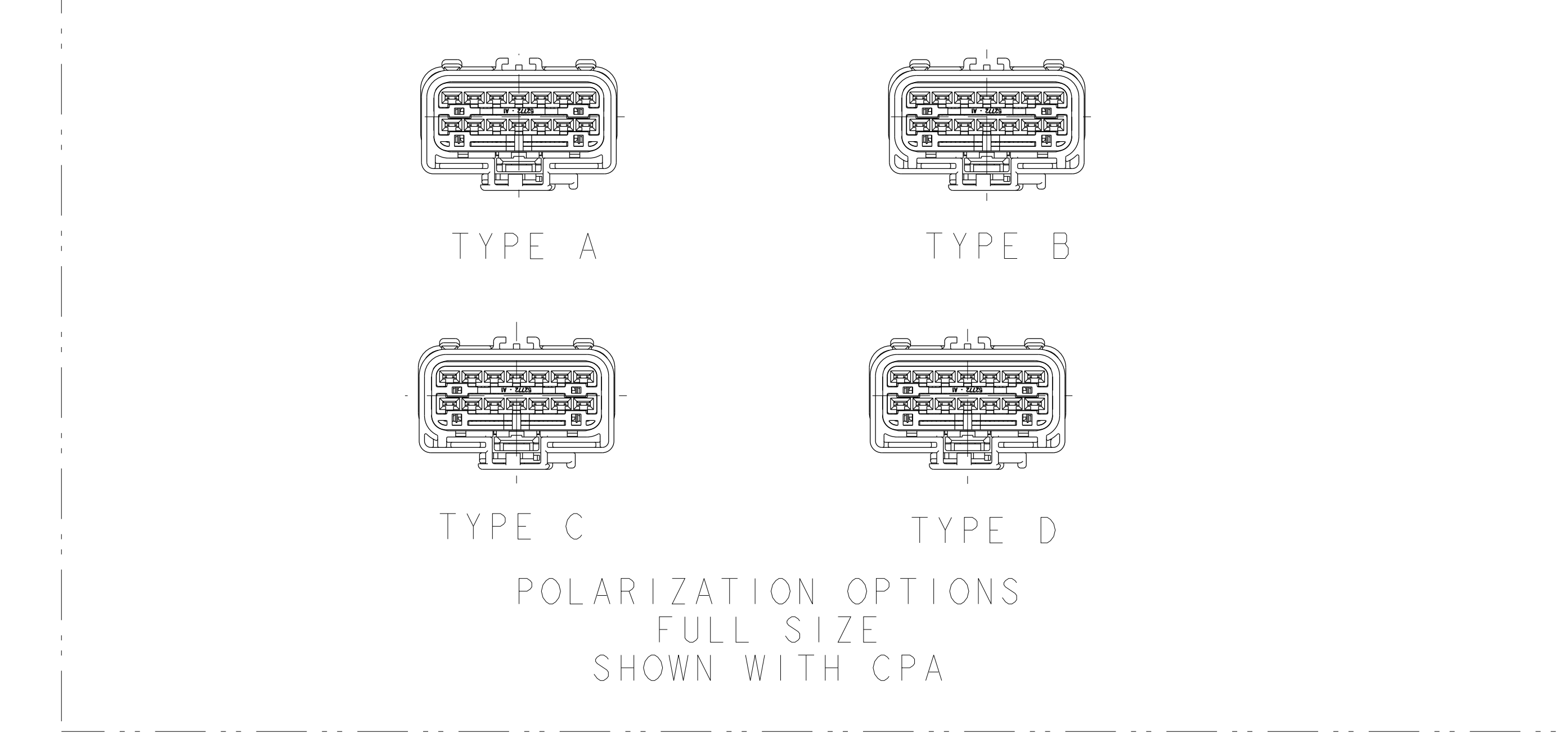


INDEX TYPE	COLOR	SEALED / UNSEALED	FCI	CUSTOMER	OTHER CUSTOMERS	FCI	CHRYSLER	OTHER CUSTOMERS	
D	NATURAL	UNSEALED	54201452N	N/A	N/A			DIRECT CONNECT APPLICATION INDEX D	
		UNSEALED	54201452	(C) 04688345AA	N/A			DIRECT CONNECT APPLICATION INDEX D	
		UNSEALED	54201467	N/A	N/A	54201468	N/A	N/A	
		UNSEALED	54201403N	N/A	N/A			DIRECT CONNECT APPLICATION INDEX D	
		UNSEALED	54201403	(C) 04687932	YNA 7283-4649			DIRECT CONNECT APPLICATION INDEX D	
		SEALED	54201414N	N/A	N/A	54201418	N/A	N/A	
	C	DK GREY	UNSEALED	54201414	(C) 04687928	YNA 7283-4749	54201418	(C) 04707243	N/A
			UNSEALED	54201402N	N/A	N/A			DIRECT CONNECT APPLICATION INDEX C
			UNSEALED	54201402	(C) 04687931	YNA 7283-4648-10			DIRECT CONNECT APPLICATION INDEX C
			SEALED	54201413N	N/A	N/A	54201417	N/A	N/A
			SEALED	F371010	N/A	N/A	JOHN DEERE LITTLE FUSE LOAD CENTER		
			SEALED	F366900	N/A	N/A	DIRECT CONNECT APPLICATION INDEX C		
C	LT GREY	UNSEALED	54201413	(C) 04687927	YNA 7283-4748-10	54201417	(C) 04707241	N/A	
		UNSEALED	54201453N	N/A	N/A			DIRECT CONNECT APPLICATION INDEX B	
		UNSEALED	54201453	N/A	YNA 7283-4747-40			DIRECT CONNECT APPLICATION INDEX B	
		UNSEALED	54201401N	N/A	N/A	54201405	N/A	N/A	
		SEALED	54201401	(C) 04687930	YNA 7283-4647-40	54201405	(C) 04687936	N/A	
		SEALED	54201412N	N/A	N/A	54201416	N/A	N/A	
A	BLACK	UNSEALED	F271010	N/A	N/A	JOHN DEERE LITTLE FUSE LOAD CENTER			
		SEALED	F266900	N/A	N/A	DIRECT CONNECT APPLICATION INDEX B			
		SEALED	54201412	(C) 04687926	YNA 7283-4645-40	54201416	(C) 04687934	N/A	
		UNSEALED	54201422N	N/A	N/A	54201404	N/A	N/A	
		UNSEALED	54201442	(C) 04688197AA	N/A	54201404	(C) 04687935	N/A	
		UNSEALED	54201400N	N/A	N/A	54201404	N/A	N/A	
A	BLACK	UNSEALED	54201400	(C) 04687929	YNA 7283-4644-30	54201404	(C) 04687935	N/A	
		SEALED	54201411	(C) 04687925	YNA 7283-4641-30	54201415	(C) 04687933	N/A	
		SEALED	54201419N	(C) *04707442	YNA 7283-4746-30	54201415	(C) 04687933	N/A	
		SEALED	54201443	(C) *04759591AA	YNA 7283-4341-30	54201415	(C) 04687933	JD/LF LOAD CENTER	
		SEALED	54201445N	(C) 04707405	N/A	54201415	(C) 04687933	N/A	
		SEALED	F166900	N/A	N/A	DIRECT CONNECT APPLICATION INDEX A			
A	BLACK	SEALED	54201456N	N/A	(GM) 15125222	N/A	N/A	(GM) 15125233	
		UNSEALED							



FCI P/N'S (CUSTOMER P/N'S) OTHER CUST P/N'S	UNSEALED		SEALED	
	W/O CPA	W/CPA	W/CPA	W/O CPA
54201453N	N/A	N/A	N/A	N/A
54201452N	N/A	N/A	N/A	N/A
54201442N	N/A	N/A	N/A	N/A
54201400N	N/A	N/A	N/A	N/A
54201401N	N/A	N/A	N/A	N/A
54201402N	N/A	N/A	N/A	N/A
54201403N	N/A	N/A	N/A	N/A
54201452	N/A	YNA 7283-4747-40	N/A	N/A
54201452	(C) 04688345AA	N/A	N/A	N/A
54201442	(C) 04688197AA	N/A	N/A	N/A
54201400	(C) 04687929	YNA 7283-4644-30	N/A	N/A
54201401	(C) 04687930	YNA 7283-4641-30	N/A	N/A
54201402	(C) 04687931	YNA 7283-4648-10	N/A	N/A
54201403	(C) 04687932	YNA 7283-4649	N/A	N/A
54201467	N/A	N/A	N/A	N/A
54201411	(C) 04687925	YNA 7283-4641-30	N/A	N/A
F166900	N/A	N/A	N/A	N/A
54201412	(C) 04687926	YNA 7283-4645-40	N/A	N/A
F266900	N/A	N/A	N/A	N/A
54201413	(C) 04687927	YNA 7283-4748-10	N/A	N/A
F366900	N/A	N/A	N/A	N/A
54201414	(C) 04687928	YNA 7283-4749	N/A	N/A
*54201443	(C) *04759591AA	YNA 7283-4341-30	N/A	N/A
54201415	N/A	N/A	N/A	N/A
*54201419N	(C) *04707442	YNA 7283-4746-30	N/A	N/A
54201445N	(C) 04707405	(GM) 15125232	N/A	N/A
54201413N	N/A	N/A	N/A	N/A
54201414N	N/A	N/A	N/A	N/A

ITEM	FCI P/N	CHRYSLER P/N	PART NAME	MATERIAL
(C)	54201432	(C) 04687804	SEALED, INDEX A; BLACK	PA66 GF
(C)	54201433	(C) 04687954	SEALED, INDEX B; LT GRAY	PA66 GF
(C)	54201434	(C) 04687955	SEALED, INDEX C; DK GRAY	PA66 GF
(C)	54201435	(C) 04687956	SEALED, INDEX D; NATURAL	PA66 GF
(C)	54201420	(C) 04707291	UNSEALED, INDEX A; BLK W/FINGER GRIP	PA66 GF
(C)	54201421	(C) 04707292	UNSEALED, INDEX B; LT GRAY W/FINGER GRIP	PA66 GF
(C)	54201422	(C) 04707293	UNSEALED, INDEX C; DK GRAY W/FINGER GRIP	PA66 GF
(C)	54201423	(C) 04707294	UNSEALED, INDEX D; NATURAL W/FINGER GRIP	PA66 GF
(C)	54201451	N/A	UNSEALED, INDEX D; LT GRN W/O FINGER GRIP	PA66 GF
(C)	54201452	N/A	UNSEALED, INDEX D; NATURAL W/O FINGER GRIP	PA66 GF
(C)	54201448	(C) 04687973	WEDGE-FEMALE; ROYAL BLUE	PA66 GF
(C)	54201449	(C) 04687972	RING SEAL; RED	SILICONE
(C)	54201450	(C) 04687952	END SEAL; LIGHT BLUE (INSULATION RANGE Ø1.70 - Ø3.35)	SILICONE
(C)	54201457	(**93008014)	END SEAL; BRT YELLOW (WITHOUT HOLES)	SILICONE
(C)	C855900	N/A	END SEAL; WHITE (INSULATION RANGE Ø1.90 - Ø3.70)	SILICONE
(C)	54201428	(C) 04687948	RETAINER; BLACK	PA66 GF
(C)	54200003	(C) 04687739	CPA LATCH; RED	PA66 GF
CONNECTOR ASSEMBLY TEMPERATURE CLASS PER SAE/USCAR-2 REV 5 PART CHANGE LEVEL (PCL)				



NOTES:

- QUALITY ASSURANCE REQUIREMENTS PER CHRYSLER PS-7300-1 SPC DATA REQUIRED
- ENGINEERING APPROVAL OF SUPPLIER SAMPLES IS REQUIRED PRIOR TO AUTHORIZATION OF PART PRODUCTION
- CHANGES IN DESIGN COMPOSITION OR PROCESSING FROM THE PART PREVIOUSLY APPROVED FOR PART PRODUCTION REQUIRES PRIOR ENGINEERING APPROVAL
- WIRING FABRICATORS MUST PURCHASE FROM SOURCES SHOWN
- ALL THE SEALED APPLICATIONS WITH 54201450 END SEAL MUST BE USED WITH CHRYSLER WIRE SPEC. MS-8288 OR MS-9502 THIN WALL X-LINK 20,18,16,14 & 12 GAGE WIRES ONLY UNLESS OTHERWISE SPECIFIED (INSULATIONS Ø1.70 MIN TO Ø3.35 MAX.) ISO THIN WALL EQUIVALENTS ALLOWED
- P/N'S WITH C855900 END SEAL MUST BE USED WITH WIRE INSULATION RANGE FROM Ø1.90MIN TO 3.70MAX (18AWG TO 12AWG OR 1mm² TO 4mm² ISO THIN WALL)
- THIS DRAWING (H59008) MAY BE USED WITH ANY WIRE INSULATION RANGE FROM Ø1.90MIN TO 3.70MAX PROVIDING THAT A TERMINAL GRIP FOR THAT CORE INSULATION COMBINATION IS SHOWN ON THE FEMALE TERMINAL DRAWING
- MAX. INSULATION CRIMP WIDTH = 4.50
MAX. INSULATION CRIMP HEIGHT = 4.50
MAX. INSULATION DIA. = 4.09 (10 GA THIN WALL)
- USE WITH CAVITY PLUG FCI P/N 54200005 (C) 56038308 ON SKIRTED PARTS ONLY WHEN REQUIRED
USE WITH DOUBLE X-MAS TREE CLIP P/N (C) 04707091 WHEN REQUIRED
USE WITH DOUBLE X-MAS TREE CLIP P/N (C) 04625797 WHEN REQUIRED
USE WITH 2.80MM APEX FEMALE TERMINAL PER C15004-CUST SYMMETRICAL ABOUT CENTERLINE FOR 180° ORIENTATION
- DIRECT CONNECT DRAWING NO. H36014 (CHRYSLER 04707029)
- TEST METHOD PER CHRYSLER PERFORMANCE SPEC SAE/USCAR-2 REV 5. CONNECTOR ENGAGE & DISENGAGE WITH LATCH DEPRESSION FORCE NOT TO EXCEED 142N FOR THIS SYSTEM
PRESSURE 3 PSI (22 KPA) PER PF-752(T)
CPA SEATING FORCES - 40N MAX
WEDGE SEATING FORCES - 142N MAX
X-MAS TREE CLIP INSERTION FORCES - 75N MAX
- SUPPLIER I.D. SINGIFIES TOOL OWNERSHIP, FOR REFERENCE
- ANNUAL QUALITY REQUIREMENTS:
IT IS PERMISSIBLE TO PERFORM CONTINUOUS CONFORMANCE PER FCI SPECIFICATION #A0-001 INSTEAD OF ANNUAL LAYOUT & ANNUAL PV REQUIREMENTS OF QS-9000 SECTION 2 & SAE/USCAR-2 REV 5
- ALL NON-REFERENCE DIMENSIONS ARE REQUIRED
- USE INDEX A, BLACK SEALED AND UNSEALED FOR ALL AFFECTED INSULATOR CAVITIES
- CURRENT PRODUCTION TOOLING
- POINT OF LAST RUN
- SERVICE TOOLING GUIDE INFORMATION PER APEX TRAINING MANUAL
- MUST CONFORM TO THE FOLLOWING CHRYSLER/YNA STANDARDS:
SAE/USCAR-2 REV-5 EXCEPT AS NOTED ABOVE
PS-7300 QUALITY ASSURANCE (CHRYSLER)
PS-80-CEK-4 (CHRYSLER) PART 1, D. (G-009-2 YNA)
PS-9065 REGRIND (CHRYSLER), (G-009-3 YNA)
PS-9227 DATA EXCHANGE (CHRYSLER), (G-009-7 YNA)
PS-10052 INFORMATION SECURITY (CHRYSLER)
- THIS DRAWING (H59008) REPLACES CHRYSLER DRAWING NUMBER 04687876 LEVEL "N"
CHRYSLER DRAWING IS FOR REFERENCE ONLY
- FCI P/N'S WITH SUFFIX "N" DESIGNATES ASSEMBLES W/O CPA
- SEE ZONE Q22 FOR PART IDENTIFICATION CALL OUT
- INDICATES END SEAL 54201450 OR C855900 & RETAINER 54201428 OR HINGE TYPE PROVIDED LOOSE PIECE AND INSTALLED AT WIRE HARNESS ASSEMBLY. SEE HARNESS ASSEMBLY FOR HINGE RETAINER P/N

Mouser Electronics

Authorized Distributor

Click to View Pricing, Inventory, Delivery & Lifecycle Information:

[Aptiv:](#)

[54201411](#) [54201411-B](#)