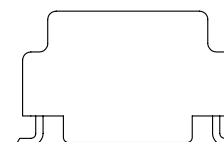
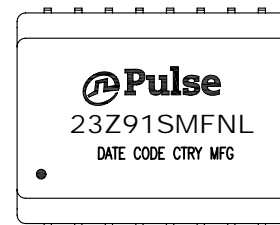


NOTES:

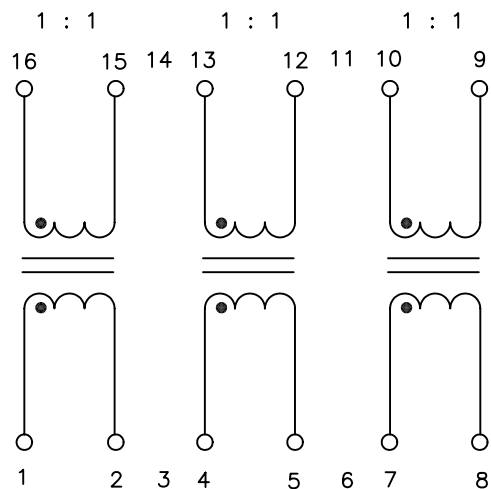
1. ROHS COMPLIANT
2. HEADER: PHENOLIC WITH FLAMMABILITY RATING UL 94V-0 OR BETTER.
3. STORAGE TEMPERATURE: -20°C TO +125°C
4. COMPLIANCE TO J-STD:
 - A. J-STD-002: SOLDERABILITY AT 245°C REFLOW PROFILE
 - B. J-STD-020: LEVEL 1, NO MOISTURE SENSITIVE
 - C. J-STD-075: R7, 245°C MAXIMUM THROUGH REFLOW SOLDER
5. TO ORDER TAPE & REEL PACKAGING ADD A "T" SUFFIX TO THE PART NUMBER(i.e 23Z91SMFNL BECOMES 23Z91SMFNLT).



FINAL OUTLINE

© Copyright, 2014. Pulse Electronics Corp. All rights reserved. Pulse confidential & proprietary. (06/11/14)

PRODUCT DESCRIPTION	TLA DRAWING	PS DRAWING	SHEET	PART NO.	DATASHEET REV.
MDL,SIN,10D,1:1,SM,TU	23Z91SMFNL-11	PS-2755.001-A	1 OF 3	23Z91SMFNL	A



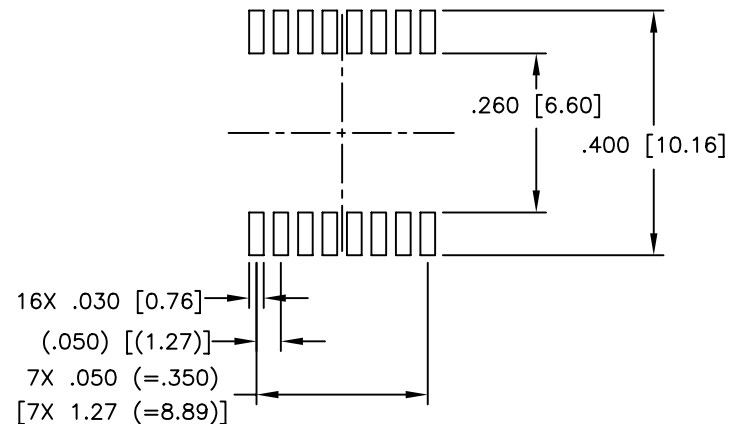
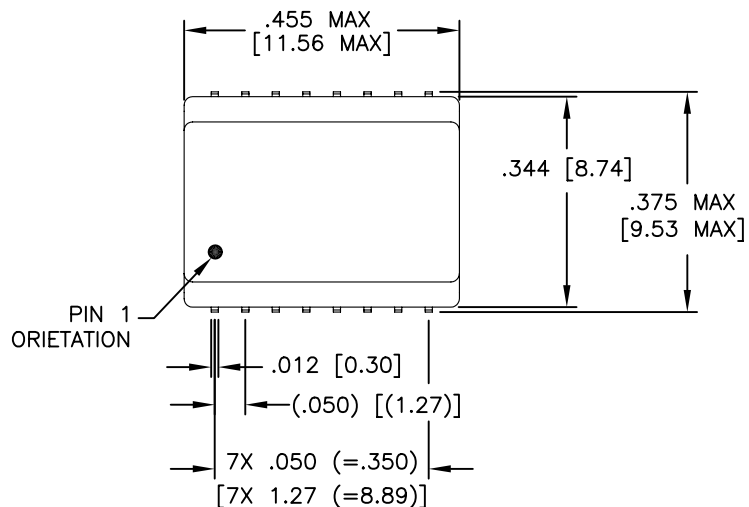
SCHEMATIC

ELECTRICAL CHARACTERISTICS AT +25°C UNLESS OTHER SPECIFIED

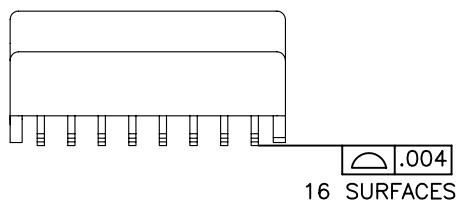
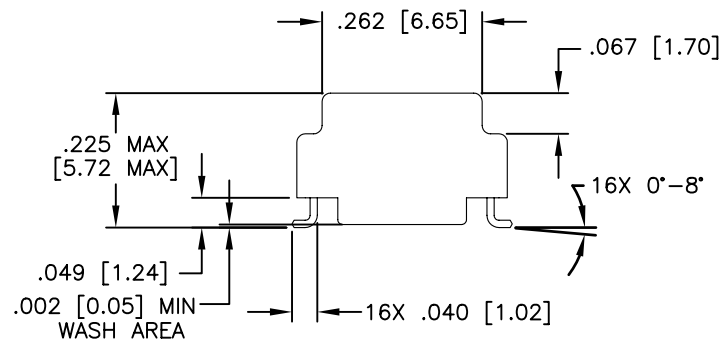
PARAMETER	SPECIFICATIONS
OPERATING TEMPERATURE	0°C ~ +70°C
TURNS RATIO	1 : 1 ±2%
POLARITY	PER SCHEMATIC
CAPACITANCE WINDING TO WINDING	10 pF MAX (AT 100 KHz 20 mVRMS)
DC RESISTANCE	0.3 OHMS MAX
LEAKAGE INDUCTANCE	0.2 μH MAX (AT 100 KHz 20 mVRMS)
PRIMARY INDUCTANCE	100μH ±20% (AT 100 KHz 20 mVRMS)
INPUT – OUTPUT ISOLATION	1500 VRMS FOR 60 SECONDS

© Copyright, 2014. Pulse Electronics Corp. All rights reserved. Pulse confidential & proprietary. (06/11/14)

PRODUCT DESCRIPTION	TLA DRAWING	PS DRAWING	SHEET	PART NO.	DATASHEET REV.
MDL,SIN,10D,1:1,SM,TU	23Z91SMFNL-11	PS-2755.001-A	2 OF 3	23Z91SMFNL	A



SUGGESTED LAND PATTERN



DIMENSIONS ARE IN INCHES [MILLIMETERS] WITH THE FOLLOWING TOLERANCES: [MILLIMETERS] ARE FOR REFERENCE ONLY.
 .XX= ±.01 [±0.25]
 .XXX= ±.005 [±0.13]

© Copyright, 2014. Pulse Electronics Corp. All rights reserved. Pulse confidential & proprietary. (06/11/14)

PRODUCT DESCRIPTION	TLA DRAWING	PS DRAWING	SHEET	PART NO.	DATASHEET REV.
MDL,SIN,10D,1:1,SM,TU	23Z91SMFNL-11	PS-2755.001-A	3 OF 3	23Z91SMFNL	A

Mouser Electronics

Authorized Distributor

Click to View Pricing, Inventory, Delivery & Lifecycle Information:

Pulse:

[23Z91SMFNLT](#) [23Z91SMFNL](#)