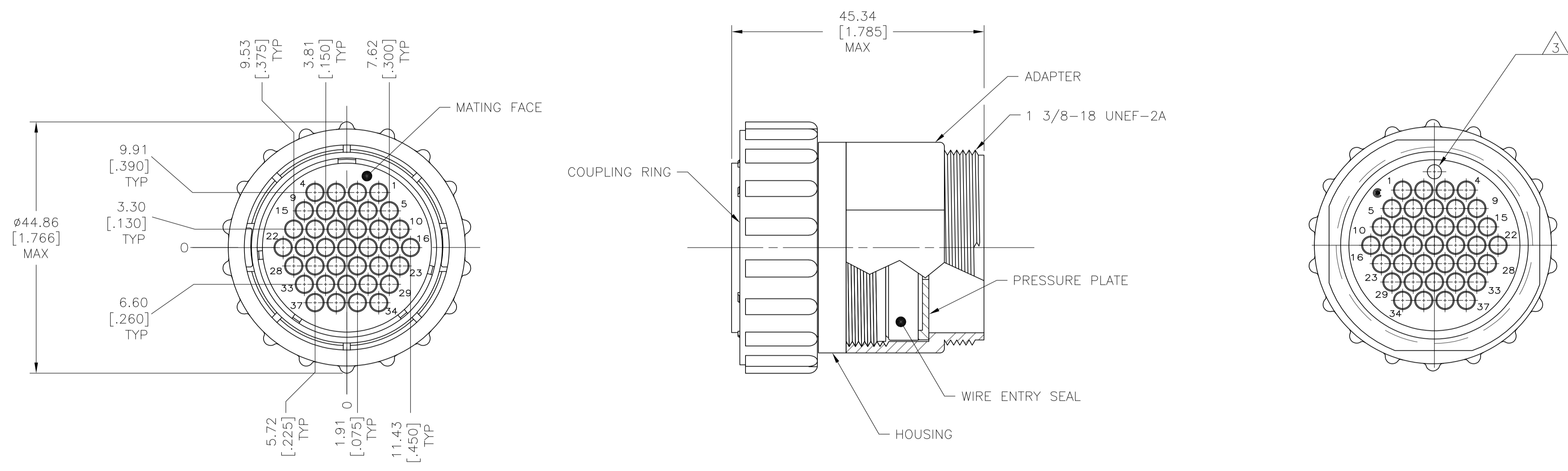


LOC		DIST		REVISIONS			
P	LTR	DESCRIPTION	DATE	DNW	APVD		
A		NEW DRAWING PER ECO-12-018480	26OCT12	KH	MZ		

- 1 COUPLING RING: POLYPHENYLENE, BLACK.
ADAPTER, HOUSING AND PRESSURE PLATE: NYLON, BLACK.
WIRE ENTRY SEAL: ELASTOMER, RED-IRON OXIDE.
- 2 CONNECTOR WILL ACCEPT (37) MULTIMATE SOCKET CONTACTS.
- 3 ORIENTATION HOLE USED IN THE MANUFACTURING PROCESS ONLY.
THIS HOLE IS NOT INTENDED FOR WIRE INSERTION.



1977887-1
PART NUMBER

THIS DRAWING IS A CONTROLLED DOCUMENT.		DWN KIRAN HOLAL 26OCT12	TE Connectivity	
DIMENSIONS: mm [INCHES]		CHK ZITTO MARK 26OCT12		
TOLERANCES UNLESS OTHERWISE SPECIFIED:		APVD ZITTO MARK 26OCT12	NAME CPC PLUG ASSEMBLY, SERIES 1, SEALED, 23-37, STANDARD SEX, UV RESISTANT	
0 PLC ± -		PRODUCT SPEC 108-1579	APPLICATION SPEC	
1 PLC ± -		SIZE A1	CAGE CODE 00779	DRAWING NO. 1977887
2 PLC ± 0.13[.005]		WEIGHT	SCALE 2:1	SHEET 1 of 1
3 PLC ± -		CUSTOMER DRAWING	REV A	
4 PLC ± -				
ANGLES ± -				
MATERIAL				
FINISH				

Mouser Electronics

Authorized Distributor

Click to View Pricing, Inventory, Delivery & Lifecycle Information:

[TE Connectivity:](#)

[1977887-1](#)