

Ferrule - AI 6 -12 YE - 3200548

Please be informed that the data shown in this PDF Document is generated from our Online Catalog. Please find the complete data in the user's documentation. Our General Terms of Use for Downloads are valid (<http://phoenixcontact.com/download>)



Ferrule, Sleeve length: 12 mm, Length: 20 mm, Color: yellow


The figure shows the version AI 1-8 YE

Product Features

- The AI 0,25.. ferrules can also be used to process 0.14 mm² conductors
- The insulation reliability of close connections is increased and the splicing of wires is prevented
- The ferrules with plastic sleeve are made from soft tin-plated electrolytic copper



Key Commercial Data

Packing unit	1 pc
Minimum order quantity	100 pc
GTIN	 4 017918 094157
Weight per Piece (excluding packing)	0.404 g
Custom tariff number	85369010
Country of origin	Germany

Technical data

Dimensions

Length (b)	20 mm
Maximum stripping length	15 mm
Sleeve length	12 mm
Inner dimension of the insulating collar (d)	6.2 mm
Ferrule diameter	3.5 mm
Insulating collar thickness	0.3 mm

Ferrule - AI 6 -12 YE - 3200548

Technical data

Dimensions

Sleeve wall thickness	0.2 mm
-----------------------	--------

Ambient conditions

Short-term temperature	120 °C
Max. permanent temperature	105 °C

General

Color	yellow
Components	free from silicone and halogen
Flammability rating according to UL 94	HB
Material	E-CU
Coating	tin-plated (galvanic)

Standards and Regulations

Connection in acc. with standard	CSA
Flammability rating according to UL 94	HB

Classifications

eCl@ss

eCl@ss 4.0	27060701
eCl@ss 4.1	27060701
eCl@ss 5.0	27400201
eCl@ss 5.1	27400201
eCl@ss 6.0	27400201
eCl@ss 7.0	27400201
eCl@ss 8.0	27400201

ETIM

ETIM 2.0	EC000005
ETIM 3.0	EC000005
ETIM 4.0	EC000005
ETIM 5.0	EC000005

UNSPSC

UNSPSC 6.01	30212109
UNSPSC 7.0901	27121703
UNSPSC 11	27121703
UNSPSC 12.01	27121703

Ferrule - AI 6 -12 YE - 3200548

Classifications

UNSPSC

UNSPSC 13.2	27121703
-------------	----------

Approvals

Approvals


Approvals

CSA / CSAus / EAC / EAC / cCSAus

Ex Approvals

Approvals submitted

Approval details

CSA 

CSAus

EAC

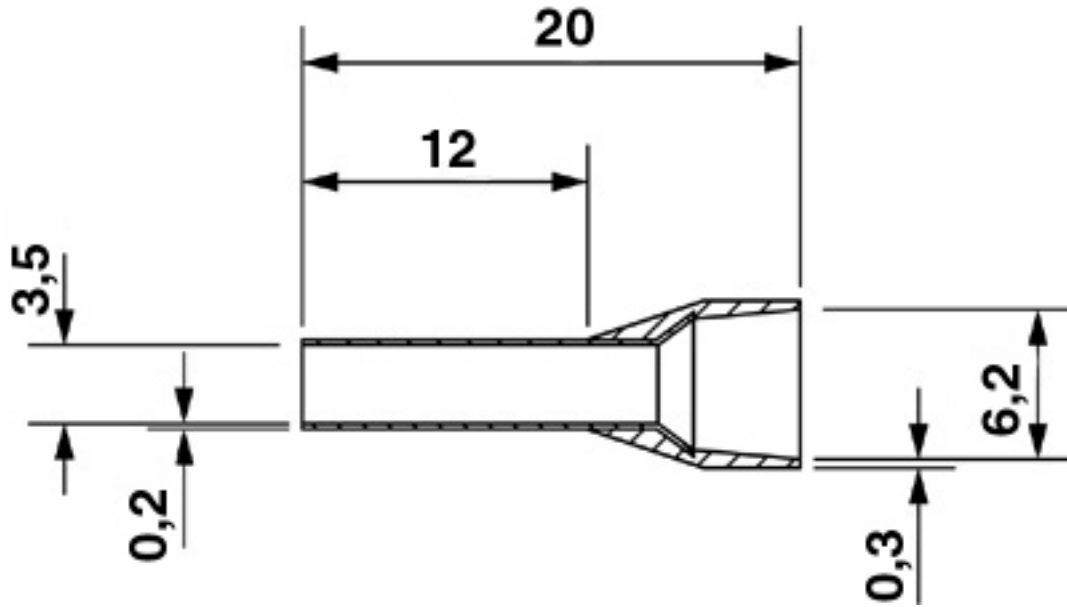
EAC

cCSAus

Drawings

Ferrule - Al 6 -12 YE - 3200548

Dimensional drawing



Mouser Electronics

Authorized Distributor

Click to View Pricing, Inventory, Delivery & Lifecycle Information:

[Phoenix Contact:](#)

[3200548](#)