

PART NAME NBF SERIES PLASTIC NEMA BOX

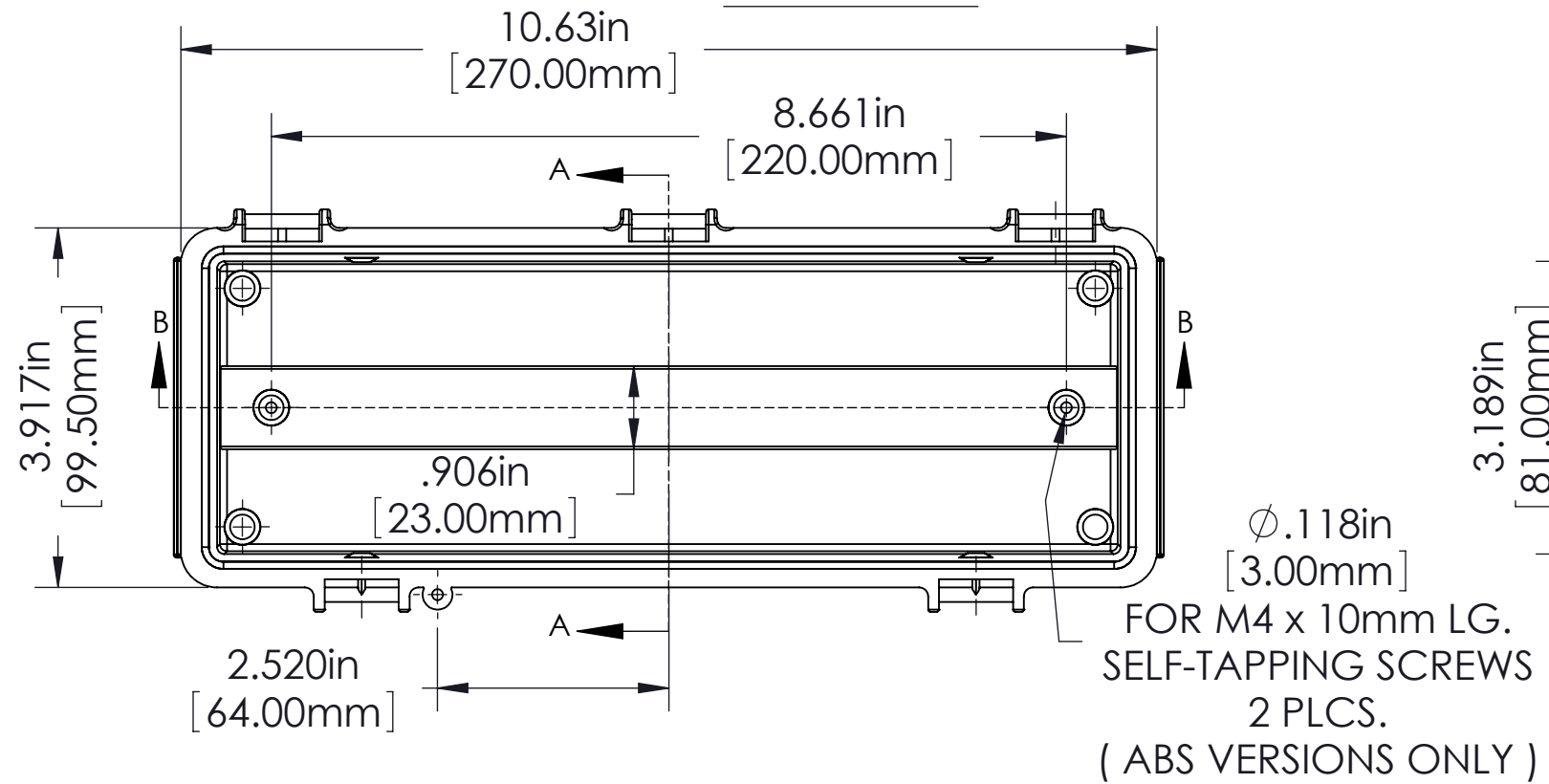
PART No. NBF-32008 & NBF-32108 & NBF-32208 & NBF-32308 & NBF-32408

REVISION DATE 9/1/2010

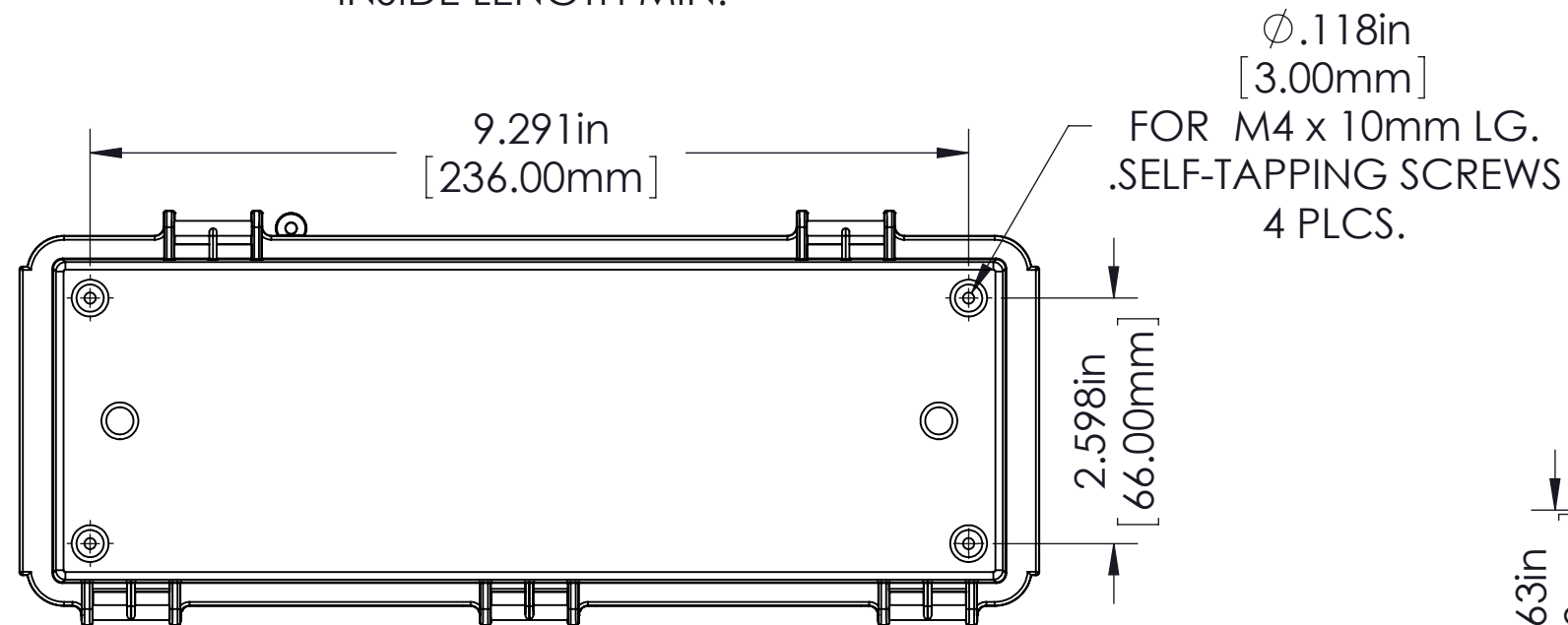
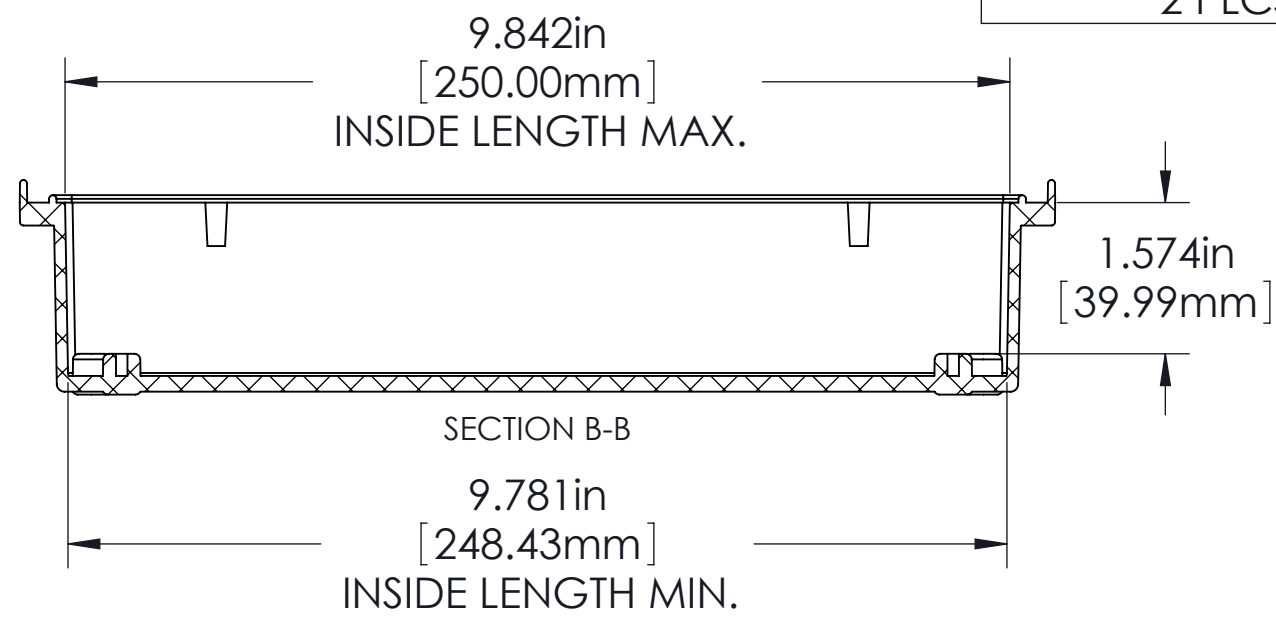
MATERIAL	FLAMMABILITY RATING	CONTINUOUS OPERATING TEMP.
ABS	UL94-HB	-40°C ~ +60°C / -40°F ~ 140°F
CLEAR PC	UL94-V0 UV STABILIZED	-40°C ~ +130°C / -40°F ~ 266°F
ABS / PC BLEND	UL94-5VA	-40°C ~ +85°C / -40°F ~ 185°F
PBT / PC BLEND	UL94-5VA + UV (f1)	-40°C ~ +75°C / -40°F ~ 167°F

FINISH:  
BODY \_\_\_\_\_ LIGHT GRAY  
COVER \_\_\_\_\_ LIGHT GRAY OR CLEAR  
LATCHES & HINGES \_\_\_\_\_ PLASTIC  
WALL MOUNTING BRACKETS \_\_\_\_\_ STAINLESS STEEL  
& HARDWARE

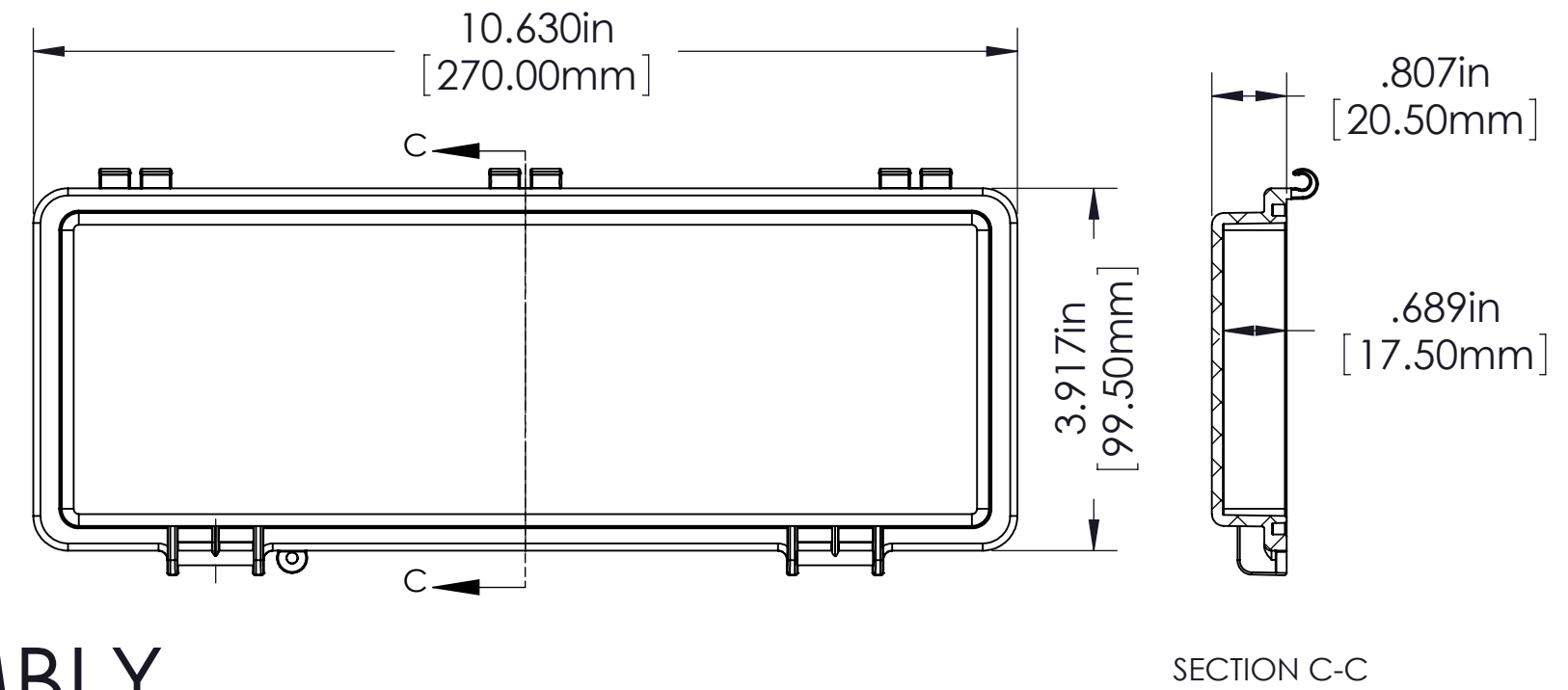
### BODY



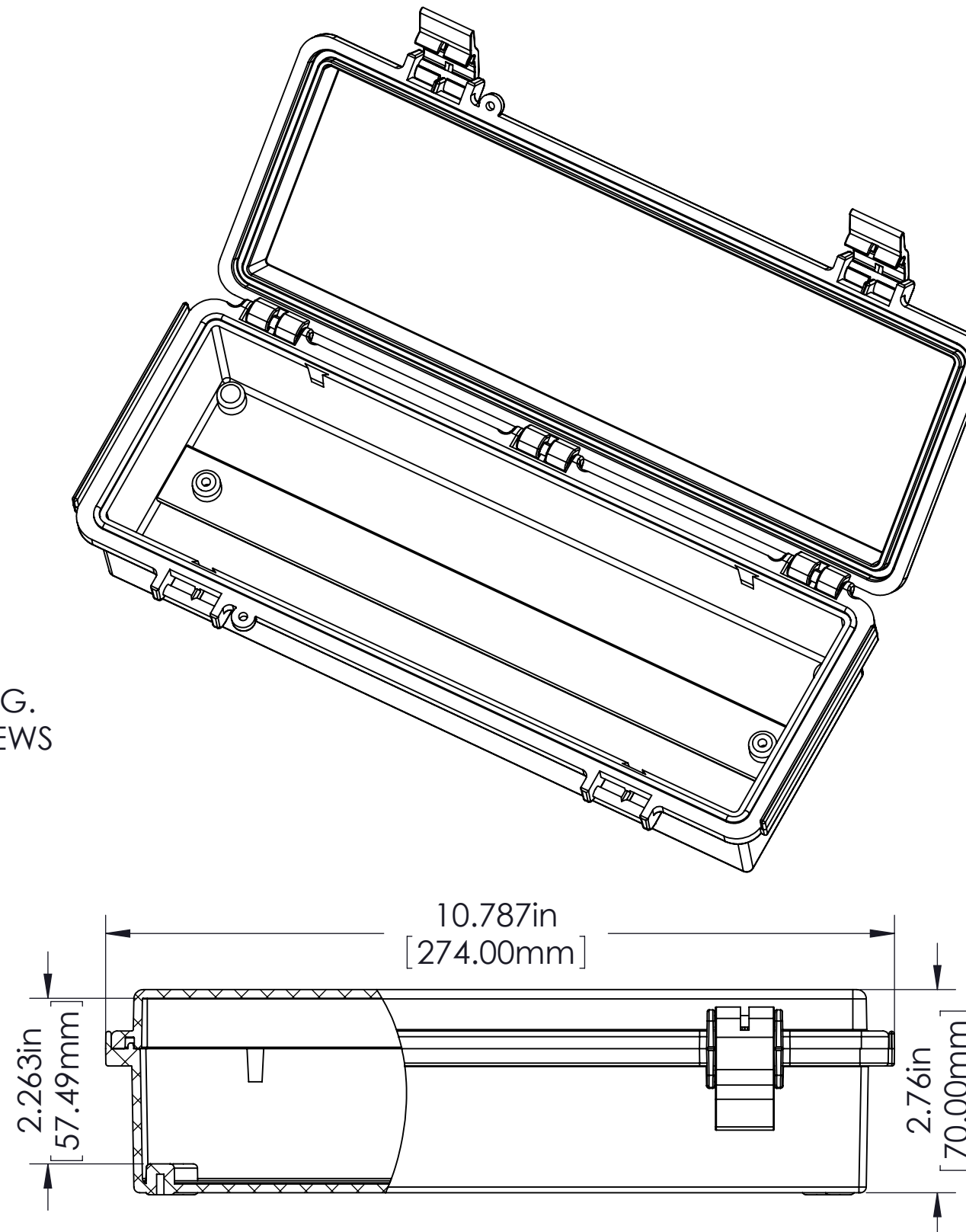
Ø.118in [3.00mm]  
FOR M4 x 10mm LG. SELF-TAPPING SCREWS  
2 PLCS.  
( ABS VERSIONS ONLY )  
M4 THREADED INSERTS  
ON ALL OTHER VERSIONS  
USE M4 x 8mm LG. MACHINE SCREWS.  
2 PLCS.



### COVER



### ASSEMBLY



#### NOTES:

- UNIT COMES COMPLETE WITH (4) WALL MOUNTING BRACKETS & (4) M4 x 10mm LG. SELF-TAPPING SCREWS. (NOT SHOWN)
- BOXES DESIGNED TO MEET FOLLOWING STANDARDS:  
NEMA 1,2,4,4X AND IEC529-IP65 REQUIREMENTS.

#### TOLERANCES:

ALL DIMENSIONS HAVE  
±0.039in. [±1mm] TOLERANCE  
UNLESS OTHERWISE SPECIFIED.

PART NO.	MATERIAL		USE
	BODY	COVER	
NBF-32008	ABS	ABS	INDOOR
NBF-32108	ABS / PC	ABS / PC	INDOOR
NBF-32208	ABS / PC	CLEAR PC	INDOOR
NBF-32308	PBT / PC	PBT / PC	OUTDOOR
NBF-32408	PBT / PC	CLEAR PC	OUTDOOR

# Mouser Electronics

Authorized Distributor

Click to View Pricing, Inventory, Delivery & Lifecycle Information:

[Bud Industries:](#)

[NBF-32108](#) [NBF-32208](#)