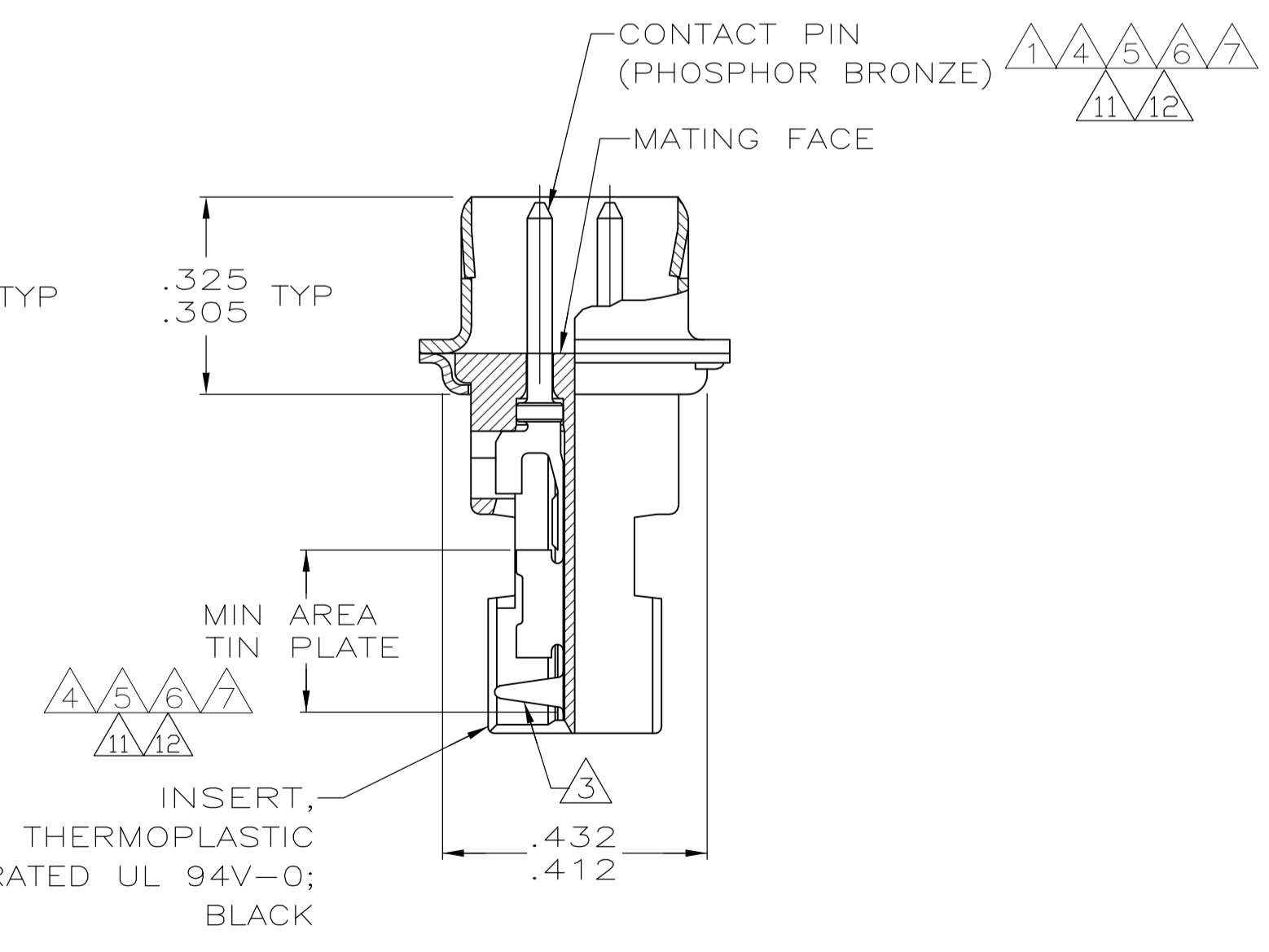
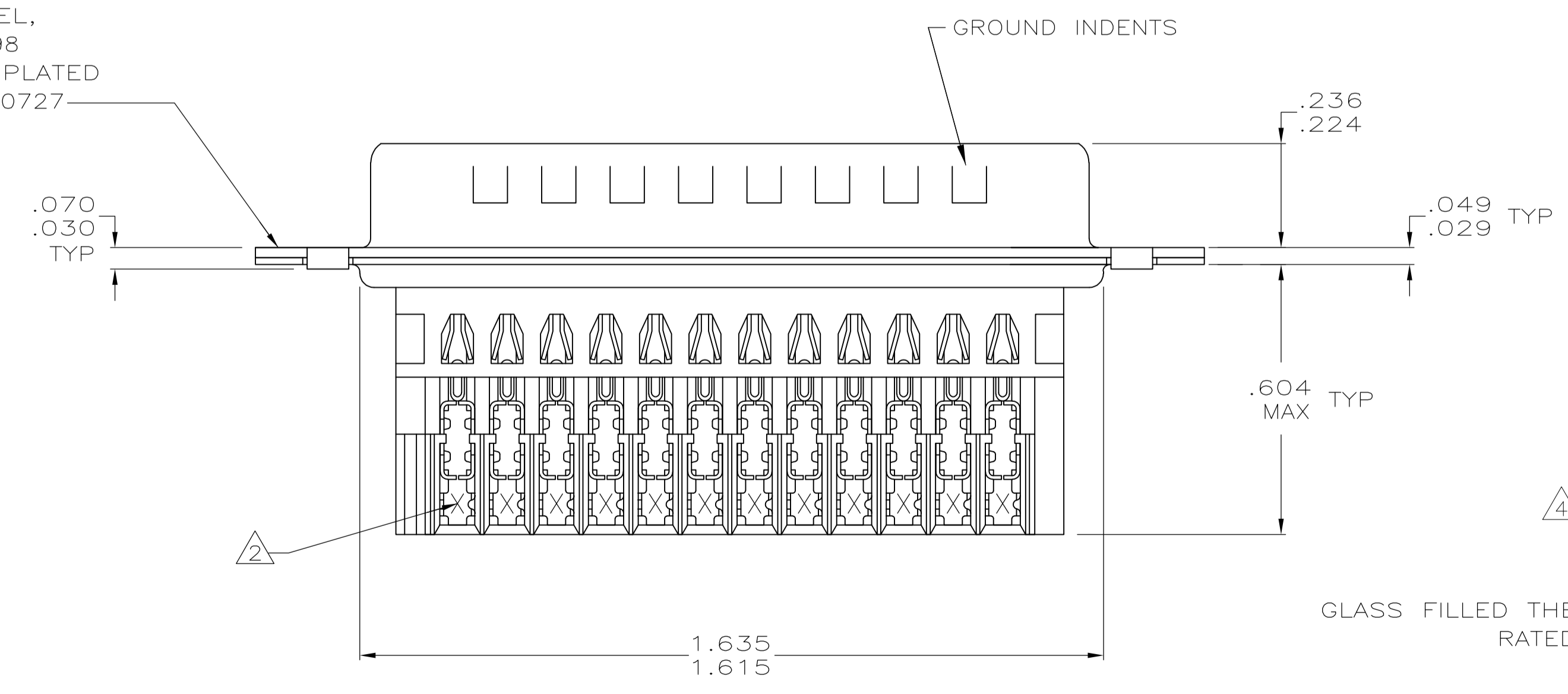


SHELL, STEEL,
PER QQ-S-698
BRIGHT-TIN PLATED
PER MIL-T-10727



- ① HOUSING FULLY LOADED WITH CONTACTS.
- ② NUMBER ON CONTACT INDICATES WIRE RANGE.
- ③ CONTACT INSULATION RANGE: .060 MAXIMUM O.D.
- ④ CONTACTS GOLD PLATED FOR A LENGTH OF .150 MIN FROM MATING END, .000030 MIN GOLD IN MATED AREA, .000100-.000200 BRIGHT TIN OR BRIGHT TIN-LEAD IN AREA SHOWN, ALL OVER .000050 MIN NICKEL UNDERPLATE ON ENTIRE CONTACT.
OR
CONTACTS GOLD PLATED FOR A LENGTH OF .150 MIN FROM MATING END, GOLD FLASH OVER .000030 MIN PALLADIUM-NICKEL IN MATED AREA, .000100-.000200 BRIGHT TIN OR BRIGHT TIN-LEAD IN AREA SHOWN, ALL OVER .000050 MIN NICKEL UNDERPLATE ON ENTIRE CONTACT.
- ⑤ CONTACTS PLATED GOLD FLASH FOR A LENGTH OF .150 MIN FROM MATING END, .000100-.000200 BRIGHT TIN OR BRIGHT TIN-LEAD IN AREA SHOWN, ALL OVER .000030 MIN NICKEL UNDERPLATE ON ENTIRE CONTACT.
- ⑥ .000020 GOLD ON MATING END FOR .150 MIN LENGTH. .000100-.000200 BRIGHT TIN OR BRIGHT TIN-LEAD IN AREA SHOWN. .000050 NICKEL UNDERPLATE ON ENTIRE CONTACT.
- ⑦ GOLD PLATED FOR LENGTH OF .150 MIN FROM MATING END, .000050 MIN GOLD IN MATED AREA. .000100-.000200 BRIGHT TIN OR BRIGHT TIN-LEAD IN AREA SHOWN. .000050 NICKEL UNDERPLATE ON ENTIRE CONTACT.
- ⑧ SPECIAL DATE CODE IN THIS APPROXIMATE AREA.
A; MM = MONTH; Y = LAST DIGIT OF YEAR.
- ⑨ OBSOLETE PART NUMBER.
- ⑩ SUPERSEDED BY 745496-5.
- ⑪ CONTACTS GOLD PLATED FOR A LENGTH OF .150 MIN FROM MATING END, .000030 MIN GOLD IN MATED AREA, .000100-.000200 MATTE TIN IN AREA SHOWN, ALL OVER .000050 MIN NICKEL UNDERPLATE ON ENTIRE CONTACT.
OR
CONTACTS GOLD PLATED FOR A LENGTH OF .150 MIN FROM MATING END, GOLD FLASH OVER PALLADIUM-NICKEL, .000030 MIN TOTAL IN MATED AREA, .000100-.000200 MATTE TIN IN AREA SHOWN, ALL OVER .000050 MIN NICKEL UNDERPLATE ON ENTIRE CONTACT.
- ⑫ CONTACTS PLATED GOLD FLASH FOR A LENGTH OF .150 MIN FROM MATING END, .000100-.000200 MATTE TIN IN AREA SHOWN, ALL OVER .000030 MIN NICKEL UNDERPLATE ON ENTIRE CONTACT.

STANDARD	FINISH	AWG	CONTACT FINISH	WIRE RANGE	PART NUMBER
.125 .115	⑪	3	#20-22	2-745496-0	
.125 .115	⑪	1	#26-30	1-745496-9	
.125 .115	⑫	2	#22-26	1-745496-8	
.125 .115	⑪	2	#22-26	1-745496-7	
SMALL PACK .125 .115	⑤	2	#22-26	⑩ 1-745496-6	
.125 .115	⑦	2	#22-26	⑨ 1-745496-4	
.125 .115	⑥	2	#22-26	⑨ 1-745496-3	
.156 .146	⑤	3	#20-22	⑨ 1-745496-2	
.156 .146	④	2	#22-26	⑨ 745496-8	
.156 .146	⑤	1	#26-30	⑨ 745496-0	
.125 .115	⑤	3	#20-22	⑨ 745496-6	
.125 .115	⑤	2	#22-26	⑨ 745496-5	
.125 .115	④	1	#26-30	⑨ 745496-4	
.125 .115	④	3	#20-22	⑨ 745496-3	
.125 .115	④	2	#22-26	⑨ 745496-2	
.125 .115	④	1	#26-30	⑨ 745496-1	
PACKAGING	H	CONTACT FINISH	②	AWG WIRE RANGE	PART NUMBER

THIS DRAWING IS A CONTROLLED DOCUMENT.

DIMENSIONS: INCHES	TOLERANCES UNLESS OTHERWISE SPECIFIED:	DIN L VARELA - DOCKS 3/26/90	TE Connectivity
0 PLC ± -	1 PLC ± -	J. GERACE 11-16-04	PLUG ASSY, METAL SHELL, SIZE 3, 25 POSN, SERIES HDE-20 FOR MASS TERMINATION
2 PLC ± -	3 PLC ± .005	M. WALMSLEY 11-16-04	108-40011
4 PLC ± -	ANGLES ± °		114-40002
MATERIAL SEE CALL OUT	FINISH SEE TABLE	WEIGHT -	SIZE A1
		CUSTOMER DRAWING	SCALE 4:1 SHEET 1 OF 1 REV U1

Mouser Electronics

Authorized Distributor

Click to View Pricing, Inventory, Delivery & Lifecycle Information:

[TE Connectivity:](#)

[2-745496-0](#)