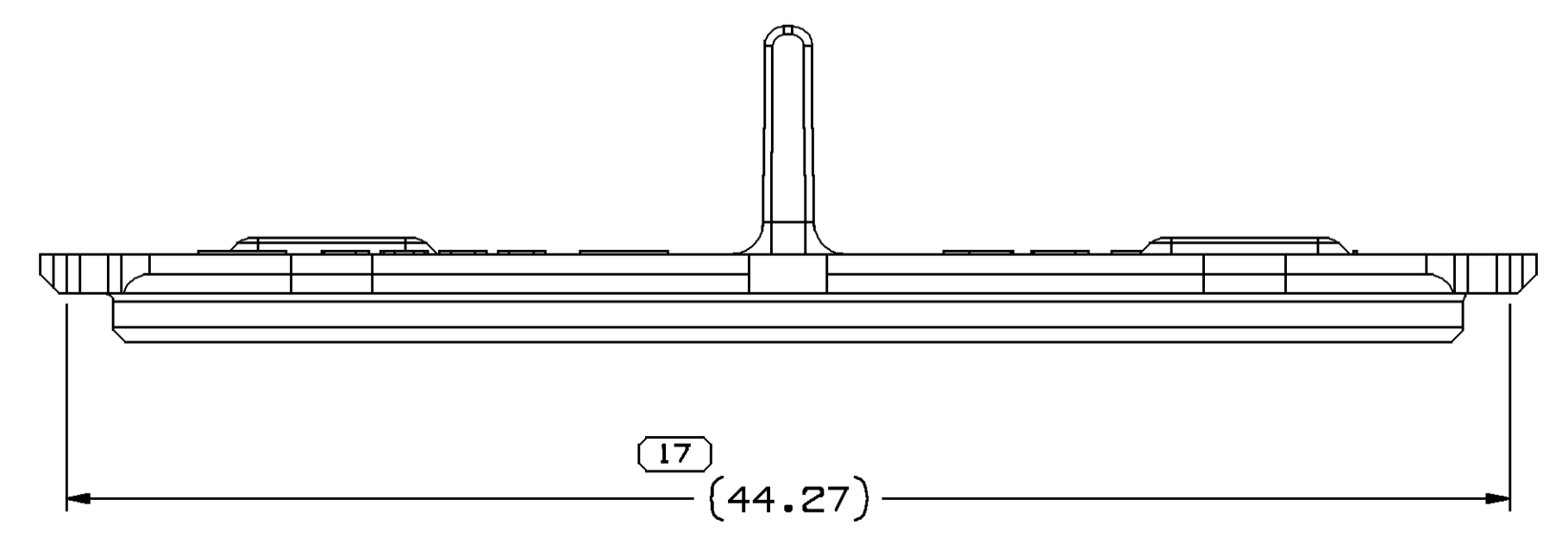
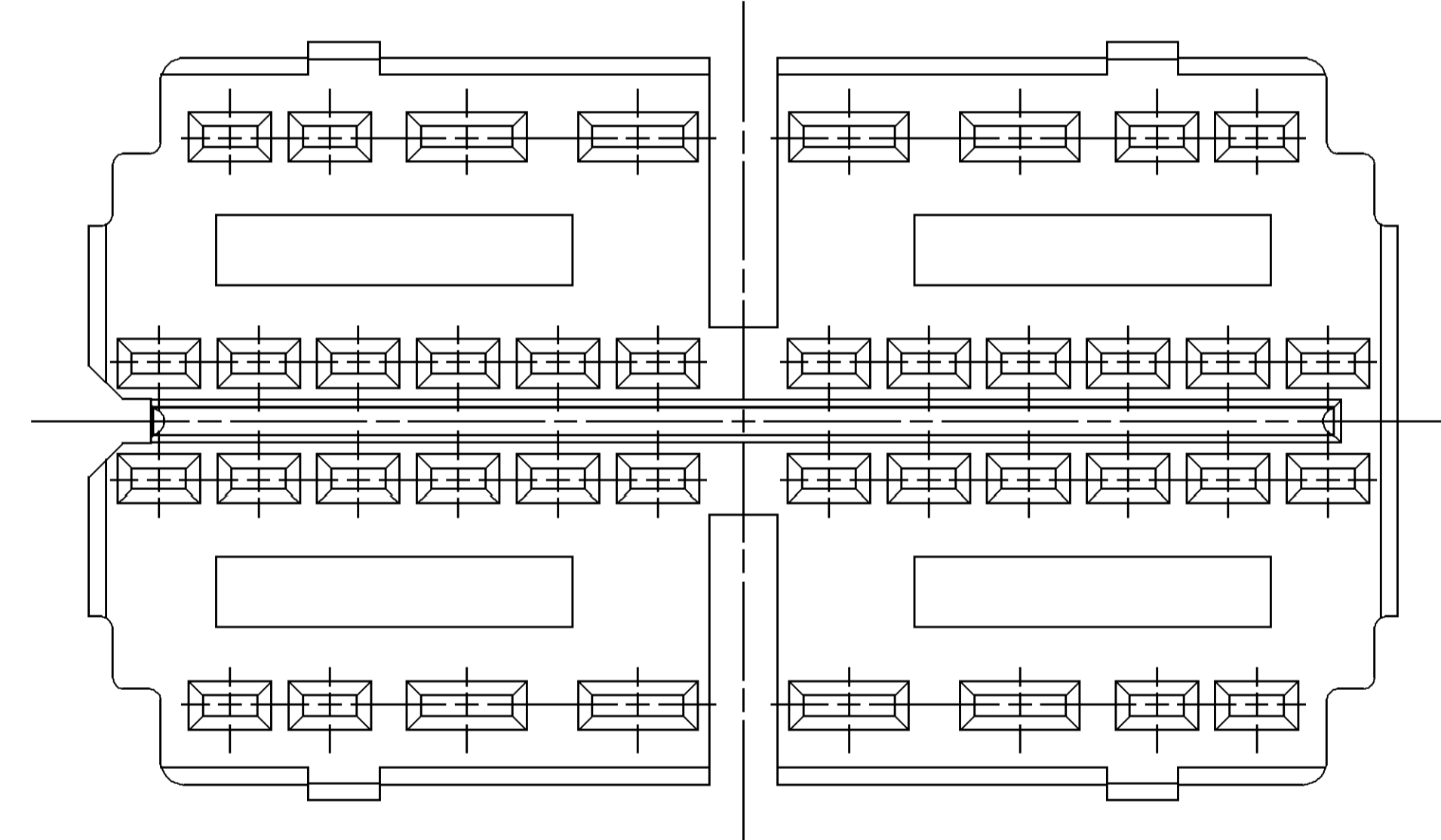
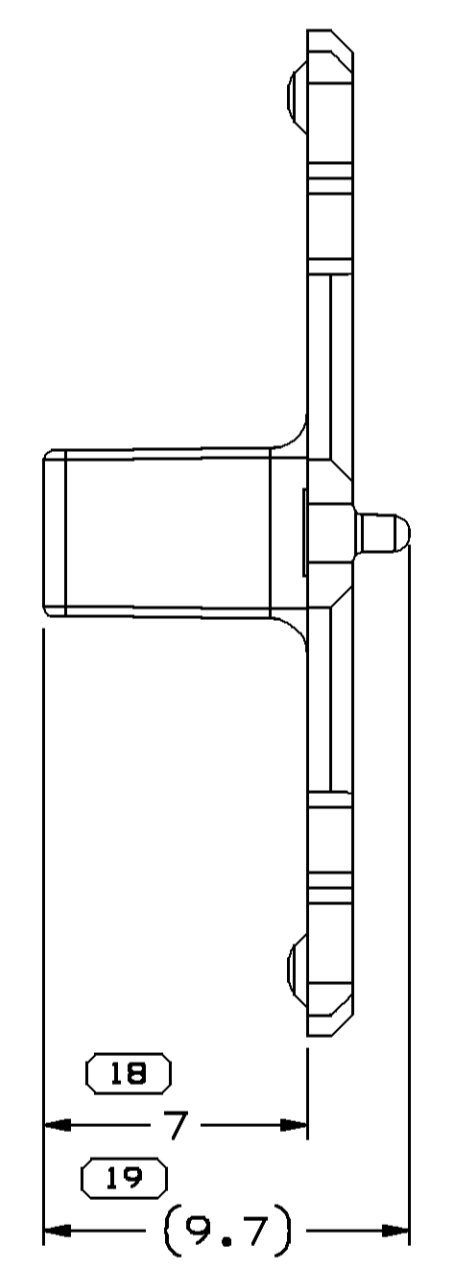
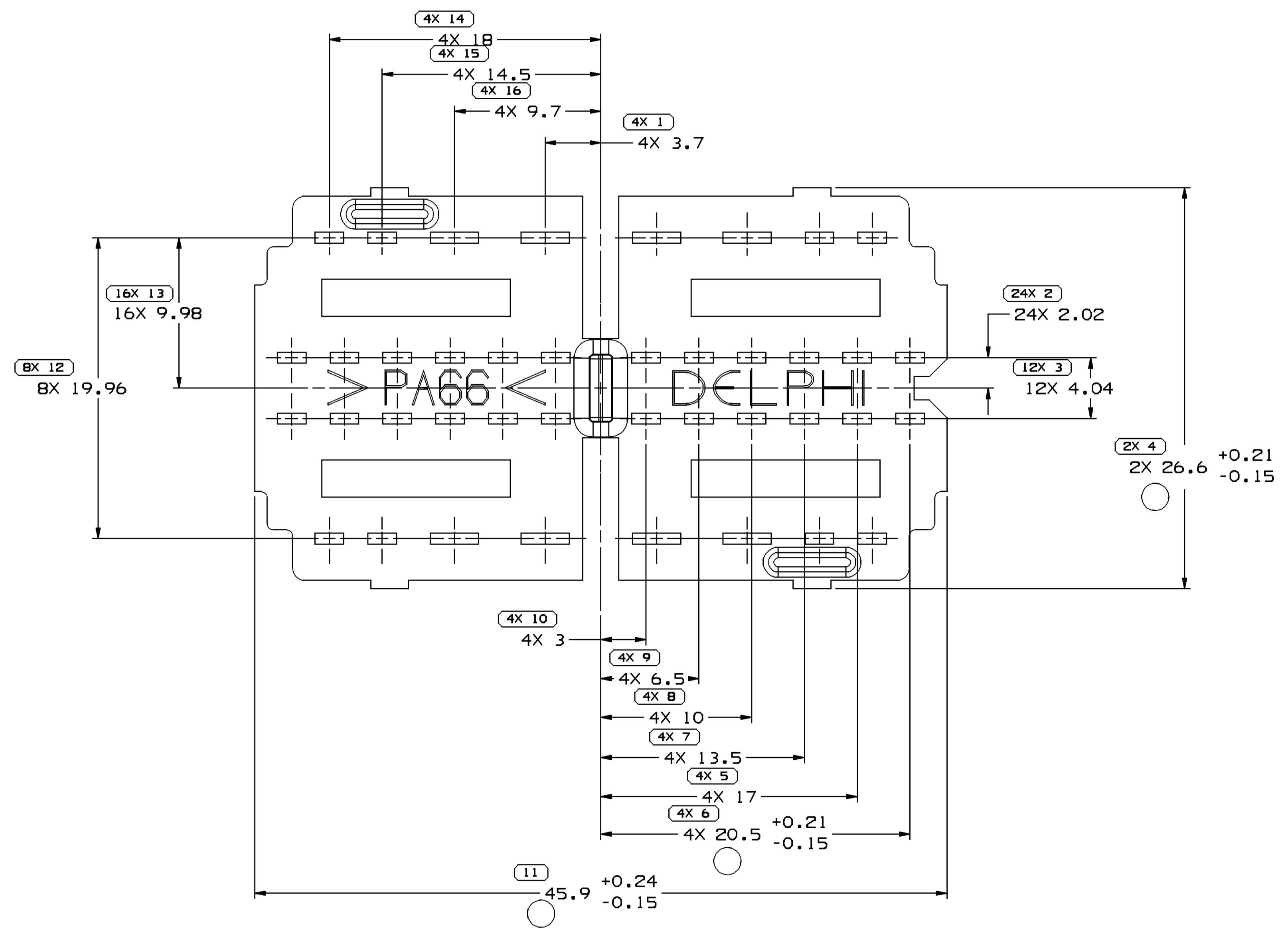
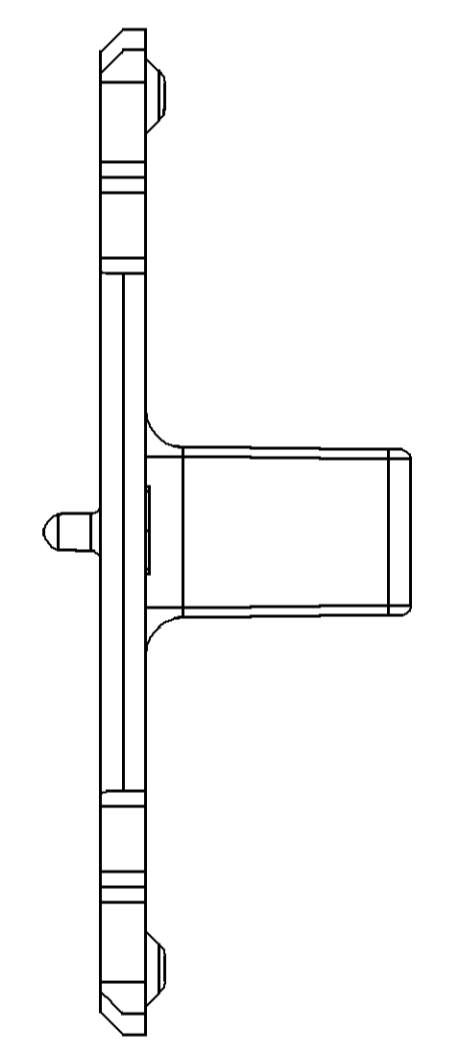
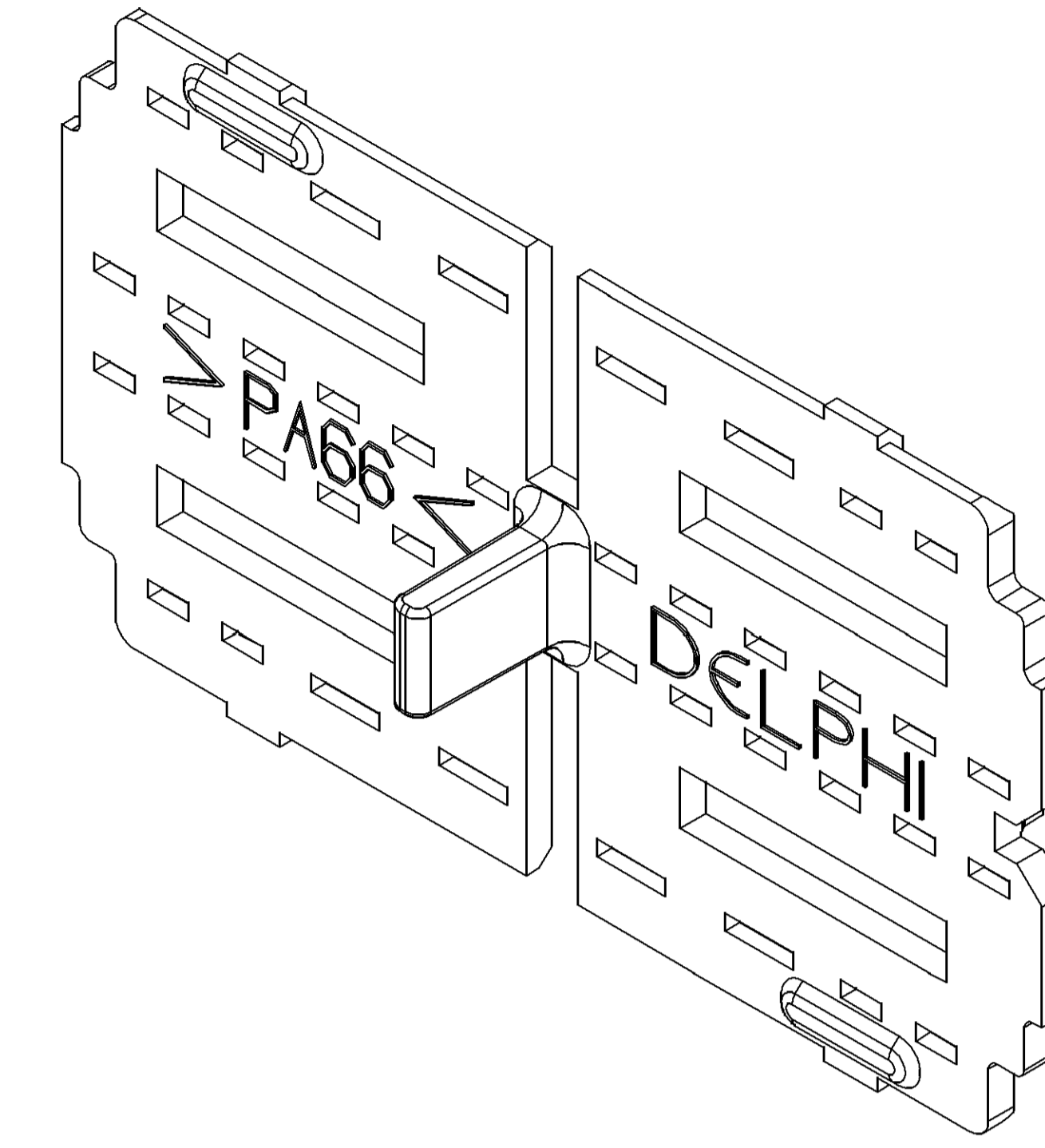
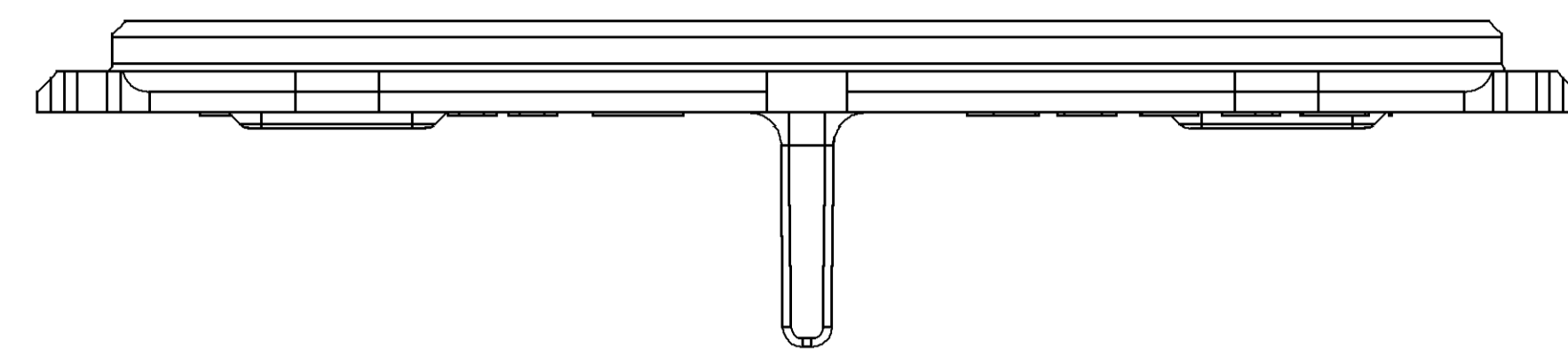


SYMBOL DEFINITION		TOTAL NO OF INSPECTIONS REQUIRED	MISSING SYMBOL NUMBER
A DIMENSION WITHOUT AN INSPECTION REPORT SYMBOL DOES NOT REQUIRE INSPECTION. IT MAY BE CONTROLLED ON THE INDIVIDUAL COMPONENT DRAWING.		106	
	LAST NO. USED	19	

DWG STATUS				REVISION HISTORY		AUTH		DR		AP/VD	
DATE	STG	REV	N/P	CHG	ZONE						
26AU02	R	01	-	-		RELEASED	229871	CJC	CJC	LBW	
30SE02	R	01	AA	-		UPDATED DIMENSION QUANTITIES	231374	CJC	CJC	MP	
19AP04	R	01	AB	-		15475869 MATING CONNECTOR WAS 153592B4	254148	TLD	TLD	MP	
21FE07	R	01	AC	-		2X 26.6 +0.21/-0.15 WAS 2X 26.6 ±0.15, 4X 20.5 +0.21/-0.15 WAS 4X 20.5 ± 0.15 AND 45.9 +0.24/-0.15 WAS 45.9 ±0.15	400582	MM	MM	MP	



- NOTES:
- UNLESS OTHERWISE SPECIFIED AND/OR INDICATED: DIMENSIONS ARE TO FACE OF VIEW SHOWN AND AUTOMATICALLY ROUNDED BY COMPUTER FOR INSPECTION. (SEE MATH MODEL FOR PRECISE DIMENSION) FOR ALL OTHER DIMENSIONS NOT SHOWN BUT REQUIRED FOR TOOL BUILD, SEE MATH MODEL FOR PRECISE TOOL PATH DATA.
  - MATING COMPONENTS: CONNECTOR 15475869 OR EQUIVALENT
  - THIS PART IS NOT CONTROLLED FOR AUTOMATIC FEEDING.
  - SLOTS TO ACCEPT GT MALE BLADES

Dwg TYPE <b>PART DRAWING</b>	
STYLE	
VOLUME 10/11	DISTR CODE <b>D</b>
1,140	
UNLESS OTHERWISE SPECIFIED THIS DOCUMENT IS IN ACCORDANCE WITH ASME Y14.5M-1994 AS MODIFIED BY THE DIMENSIONAL DIMENSIONS AND TOLERANCES AND RELATED DATUM APPL. RES. RULE #1 (PERFECT FORM AT MAX. COND. NOT APPL. WITH RELATIONSHIP BETWEEN FEATURES IS ESTABLISHED BY ORIENTATION OR LOCATION TOLERANCES. SEPARATE POSITION CALLOUTS MAY BE SHOWN SEPARATELY, REGARDLESS OF DATUM REFERENCE. ALL DIMENSIONS ARE IN MILLIMETERS	
(11) PROCESS SENSITIVE DIMENSION	REFERENCE
DIMENSIONS ENCLOSED IN ( ) INDICATE REFERENCE DIMENSIONS AND NO TOLERANCE LIMITS ARE ESTABLISHED	
DIMENSIONAL RANGE (MM)	SHORT ET
FROM > 0	> 30
> 30	> 70
> 70	> 100
> 100	> 150
> 150	> 200
> 200	> 250
> 250	> 300
> 300	> 400
TOLERANCE UNLESS OTHERWISE SPECIFIED	
±0.15	±0.2
±0.3	±0.4
±0.5	±0.6
±0.8	±1
±1	±1.2
ANGULAR TOLERANCE 30°	
THIRD ANGLE PROJECTION	DO NOT SCALE
USE MATH DATA	<b>NX</b>

**DELPHI**  
DELPHI PACKARD ELECTRICAL/ELECTRONIC ARCHITECTURE  
MVRB, DI

DR	CRAIG J. COGGINS	DATE	26AU02
AP/VD1	CRAIG J. COGGINS		26AU02
AP/VD2	CRAIG J. COGGINS		26AU02
AP/VD3	LARRY B. WALTERS		26AU02
AP/VD4			
AP/VD5			
SUBSTANCES OF CONCERN AND RECYCLED CONTENT PER DELPHI 10949001			
MATERIAL: W3592008 PA66-HS 1M BLU			
DRAWING NAME: MOUN STABILIZER			
DRAWING NUMBER: 15445756			
SIZE	SCALE	FRAME NO	SHEET NO
A0	5:1	1 OF 1	1 OF 1
			REV N/P
			R 01 AC

Date: 21-Feb-07 Time: 13:31

# Mouser Electronics

Authorized Distributor

Click to View Pricing, Inventory, Delivery & Lifecycle Information:

[Aptiv:](#)

[15445756](#)