

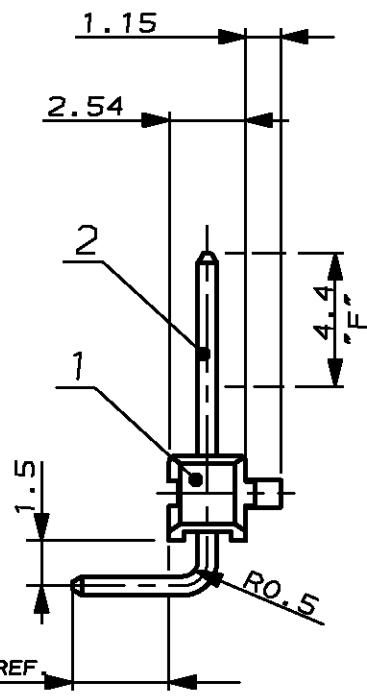
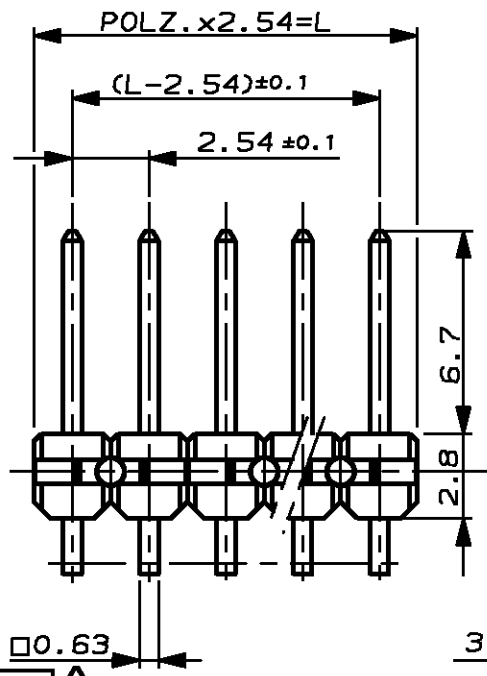
DIESES ZEICHNUNGSDOKUMENT WIRD DURCH TE INCORPORATED KONTROLLIERT. AENDERUNGEN, DIE DEM TECHNISCHEN FORTSCHRITT DIENEN, SIND VORBEHALTEN. DEN JEWELNS LETZTUELTIGEN AENDERUNGSSTAND ERFAHREN SIE AUF ANFRAGE.

THIS DRAWING IS A CONTROLLED DOCUMENT FOR TE INCORPORATED. IT IS SUBJECT TO CHANGE AND THE CONTROLLING ENGINEERING ORGANIZATION SHOULD BE CONTACTED FOR THE LATEST REVISION.

RELEASED FOR PUBLICATION  
FREI FÜR VERÖFFENTLICHUNG  
KW 39/96  
THIS DRAWING IS UNPUBLISHED.  
VERTRAULICHE UNVERÖFFENTLICHTE ZEICHNUNG.  
BY TE INCORPORATED.  
ALL RIGHTS RESERVED.  
ALLE RECHTE VORBEHALTEN.  
COPYRIGHT 1975

MATED WITH: PASSEND ZU:	LOC	DIST	REVISIONS ÄNDERUNGEN DESCRIPTION BESCHREIBUNG				DATE	DWN	APVD
-	AI	-	P	LTR					
PROJEKT NR.: E 75-9231			V		Contact pin base material change from CuSn (Phosphor bronze) to CuZn (Brass). Plating change from min. 0.8microns gold plating to min. 0.7 microns Pd Ni + 0.1 microns gold flash at contact area (Area F).	24JUN 2014	TJ	JK	

POLZ.	L±0.5	BESTELL-NR.
-	-	-
2	5.08	825 437 -2
3	7.62	-3
4	10.16	-4
5	12.70	-5
6	15.24	-6
7	17.78	-7
8	20.32	-8
9	22.86	-9
10	25.40	1-
11	27.94	1-
12	30.48	1-
13	33.02	1-
14	35.56	1-
15	38.10	1-
16	40.64	1-
17	43.18	1-
18	45.72	1-
19	48.26	1-
20	50.80	2-
21	53.34	2-
22	55.88	2-
23	58.42	2-
24	60.96	2-
25	63.50	2-
26	66.04	2-
27	68.58	2-
28	71.12	2-
29	73.66	2-
30	76.20	3-
31	78.74	3-
32	81.28	3-
33	83.82	3-
34	86.36	3-
35	88.90	3-
36	91.44	3-
37	93.98	3-
38	96.52	3-
39	99.06	3-
40	101.60	4-
41	104.14	4-
42	106.68	4-
43	109.22	4-
44	111.76	4-
45	114.30	4-
46	116.84	4-
47	119.38	4-
48	121.92	4-
49	124.46	4-
50	127.00	5- 825 437 -0



1 MATING SIDE: MIN 0.7µm PdNi + 0.1µm GOLD FLASH.  
 SOLDER SIDE: MIN 2.5µm TIN OVER 1.27µm NICKEL.  
 2 OBSOLETE PARTS: OBSOLETE CIS STREAMLINING PER D.RENAUD/D.SINISI  
 3 OBSOLETE

CUSTOMER PART NO	TE PART NO	REV.	PCS.	MATERIAL	SURFACE COLOR	DESCRIPTION	ITEM NO
-	-	-	-	Cu Zn	1 GREEN GRÜN	CONTACT PIN KONTAKTSTIFT	2
-	-	-	-	PBT GV	GREEN GRÜN	PIN HOUSING STIFTGEHÄUSE	1

DIMENSIONS: DIMENSIONEN: mm  TOLERANCES UNLESS OTHERWISE SPECIFIED: ALLGEMEINTOLERANZEN P.P. 150 8015 P.P. 150 2768 - mH -E DIN 16901 - 140 P.L.C ±0.2 P.L.C ±0.2 P.L.C ±0.2 P.L.C ± ANGLES/WINKEL ±1°	DWN DAHLHEIMER 05.12.75	MATERIAL -	FINISH OBERFLÄCHE/FARBE -	
	CHK BÖCK 17.12.75	TE Connectivity NAME AMPMODU II PIN HEADER, 90DEGREE, SINGLE ROW		
	APVD -			
	PRODUCT SPEC PRODUKTSPEZ. 108-18012  APPLICATION SPEC VERARBEITUNGSSPEZ. -  WEIGHT GEWICHT -	SIZE A4	CAGE CODE 00779	DRAWING NO ZEICHNUNGS-NR. 825437
CUSTOMER DRAWING /KUNDENZEICHNUNG		MASSSTAB 4:1	BLATT 1 OF 1 VON 1	REV V

# Mouser Electronics

Authorized Distributor

Click to View Pricing, Inventory, Delivery & Lifecycle Information:

[TE Connectivity:](#)

[825437-4](#)