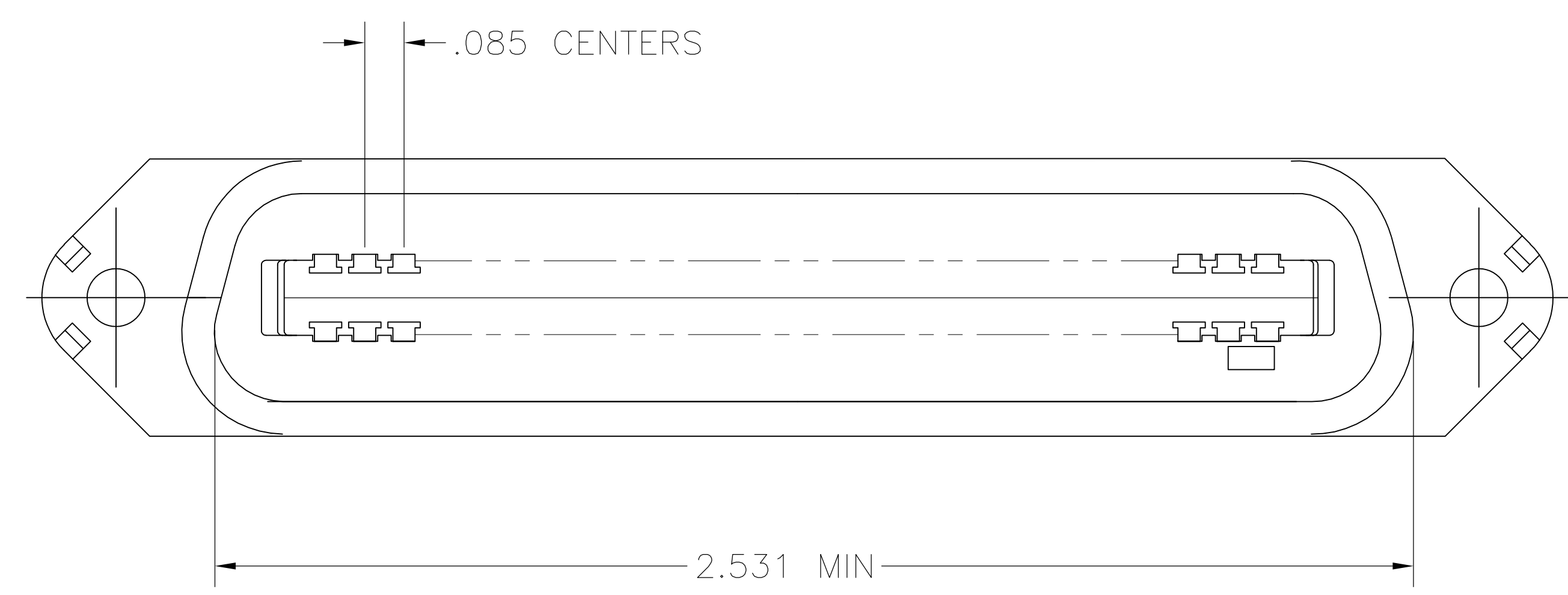
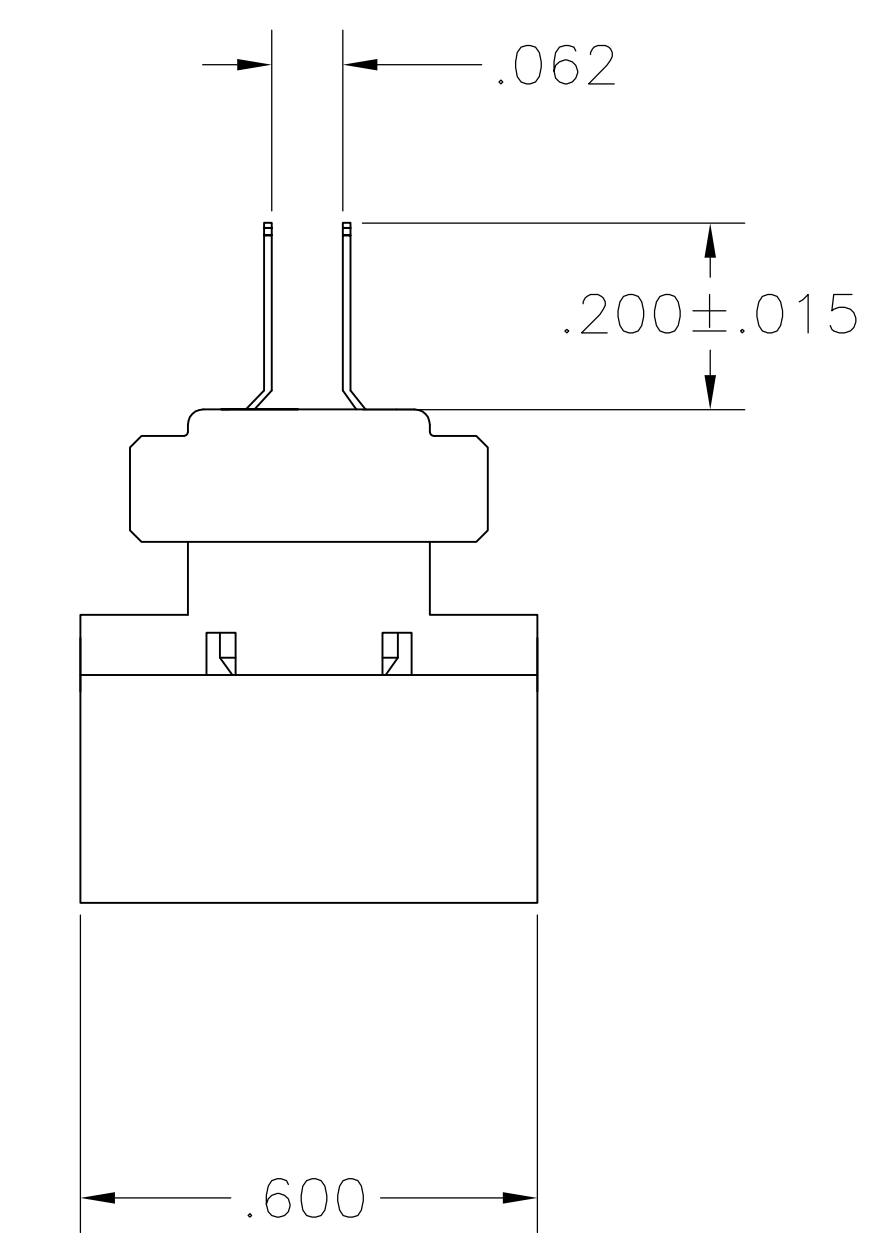
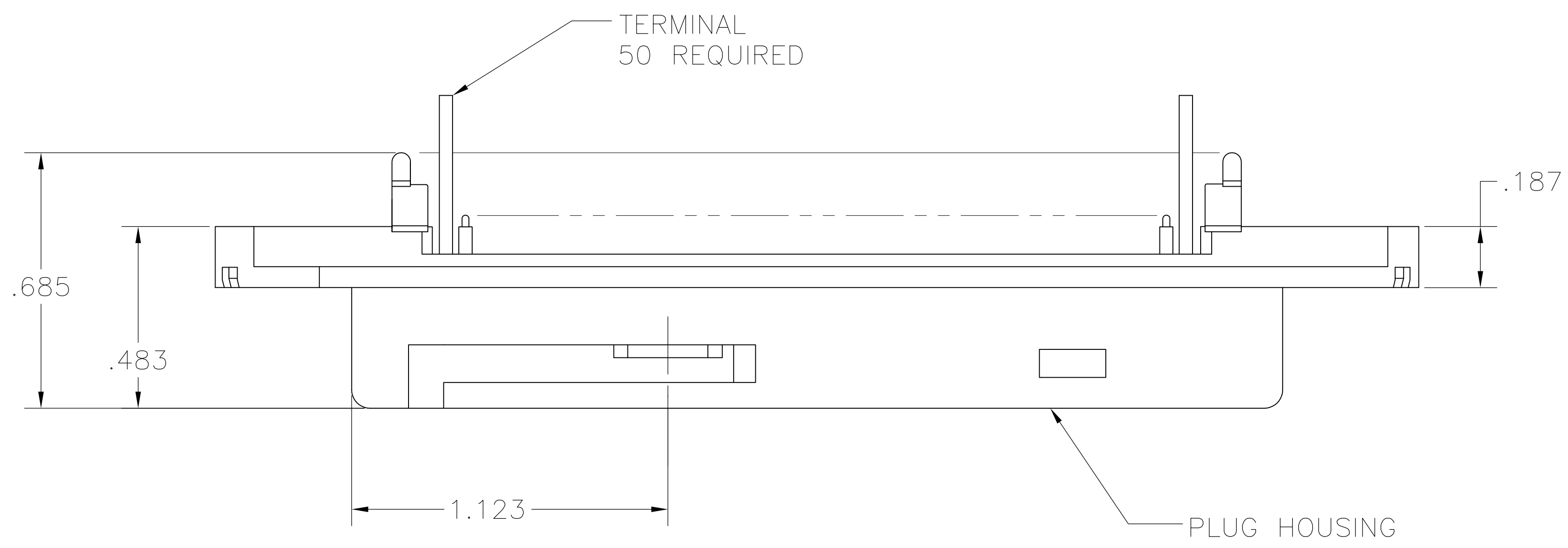


1. THE CONTACT SURFACES OF THE TERMINALS ARE COATED WITH LUBRICANT.
2. MATERIAL: HOUSING - POLYESTER, BLACK. TERMINAL - PHOS BRONZE PLATED WITH EITHER .000030 MINIMUM GOLD PLATE OR GOLD FLASH OVER PALLADIUM NICKEL PLATE, .000030 MINIMUM TOTAL ON MATING SURFACE. .000120 MINIMUM TIN PLATE ON TAILS OVER .000050 MINIMUM NICKEL UNDERPLATE OVER ENTIRE TERMINAL.
3. ALL DIMENSIONS SHOWN ARE FOR REFERENCE ONLY UNLESS OTHERWISE SPECIFIED.



5552126-1
PART NUMBER

THIS DRAWING IS A CONTROLLED DOCUMENT.		DIN EJ LATTUCA	22AUG05	Tyco Electronics Corporation Harrisburg, PA 17105-3608	
DIMENSIONS: INCHES		CHK W. MILLHIMES	22AUG05	NAME M. WALMSLEY	
TOLERANCES UNLESS OTHERWISE SPECIFIED:		APVD M. WALMSLEY		PRODUCT SPEC	
0. PLC ± -		22AUG05		APPLICATION SPEC	
1. PLC ± -				SIZE	
2. PLC ± -				CAGE CODE	
3. PLC ± -				DRAWING NO	
4. PLC ± -				RESTRICTED TO	
ANGLES ± -				WEIGHT	
				A1 00779	
				C=5552126	
				CUSTOMER DRAWING	
				SCALE 4:1	
				SHEET 1 of 1	
				REV B	

Mouser Electronics

Authorized Distributor

Click to View Pricing, Inventory, Delivery & Lifecycle Information:

[TE Connectivity:](#)

[5552126-1](#)