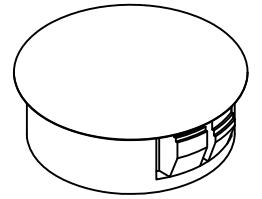
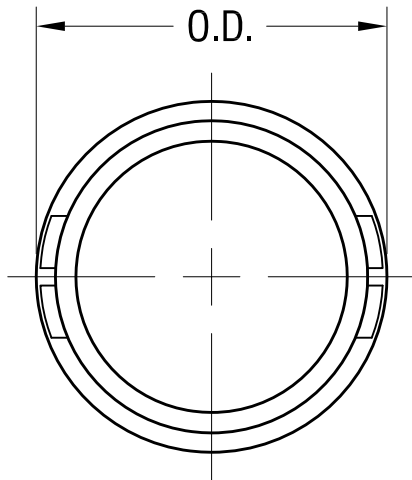
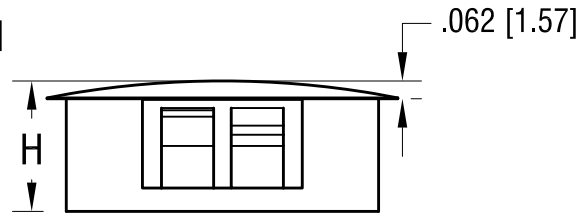
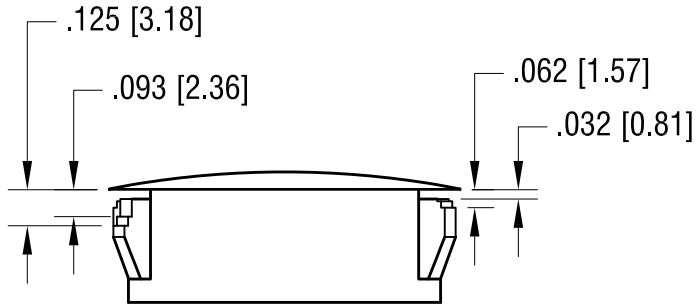


THIS DOCUMENT IS THE PROPERTY OF KEYSTONE ELECTRONICS CORP. AND SHALL NOT BE REPRODUCED, DISTRIBUTED OR USED AS A BASIS FOR MANUFACTURE WITHOUT PRIOR WRITTEN PERMISSION FROM KEYSTONE ELECTRONICS CORP.



P/N 8608 (ACTUAL SIZE)



| PART NO. | HOLE DIA. (REF.) | O.D.          | H            |
|----------|------------------|---------------|--------------|
| 8602     | .375 [9.52]      | .468 [11.89]  | .406 [10.31] |
| 8603     | .500 [12.70]     | .578 [14.68]  | .406 [10.31] |
| 8604     | .625 [15.87]     | .734 [18.64]  | .406 [10.31] |
| 8605     | .750 [19.04]     | .921 [23.39]  | .406 [10.31] |
| 8606     | .875 [22.21]     | 1.015 [25.78] | .453 [11.51] |
| 8607     | 1.000 [25.40]    | 1.203 [30.56] | .453 [11.51] |
| 8608     | 1.125 [28.56]    | 1.218 [30.94] | .453 [11.51] |
| 8609     | 1.250 [31.73]    | 1.375 [34.93] | .453 [11.51] |
| 8610     | 1.375 [34.90]    | 1.500 [38.10] | .453 [11.51] |
| 8611     | 1.500 [38.08]    | 1.671 [42.44] | .453 [11.51] |

**KEYSTONE ELECTRONICS CORP.**

www.keyelco.com • ASTORIA, N.Y. 11105-2017 • Tel (718) 956-8900

|              |  |        |  |                            |  |           |  |
|--------------|--|--------|--|----------------------------|--|-----------|--|
| PART NAME    |  |        |  | HOLE PLUG                  |  |           |  |
| MATERIAL     |  |        |  | NYLON 6/6, BLACK UL 94V-2  |  |           |  |
| FINISH       |  | DRN BY |  | DATE                       |  | SCALE     |  |
| MATTE FINISH |  | BOONE  |  | 8.11.97                    |  | 1.5X      |  |
| TOLERANCES   |  | INCH   |  | [MM]                       |  | CODE      |  |
| DECIMAL      |  | ± .015 |  | [± 0.38]                   |  | C/M       |  |
| ANGULAR      |  | ± 1°   |  | UNLESS OTHERWISE SPECIFIED |  | DWG NO.   |  |
|              |  |        |  |                            |  | 8602-8611 |  |

|         |                          |      |
|---------|--------------------------|------|
| 9.16.11 | CHANGE AS PER ECN 11-125 | A    |
| DATE    | DESCRIPTION              | REV. |

# Mouser Electronics

Authorized Distributor

Click to View Pricing, Inventory, Delivery & Lifecycle Information:

[Keystone Electronics:](#)

[8609](#)