

4

3

2

1

THIS DRAWING IS UNPUBLISHED.

RELEASED FOR PUBLICATION

20

© COPYRIGHT 20

Tyco Electronics AMP GmbH

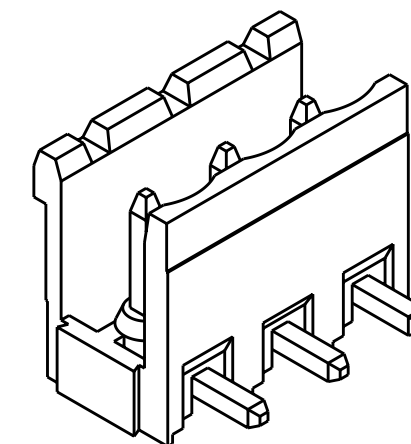
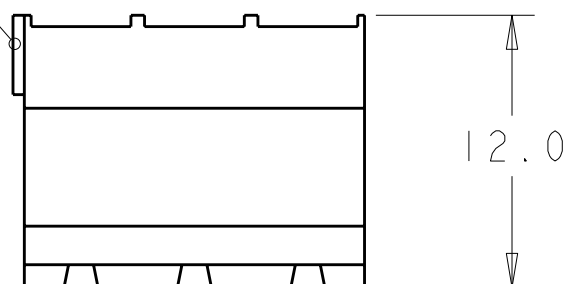
ALL RIGHTS RESERVED.

LOC	DIST
FT	0

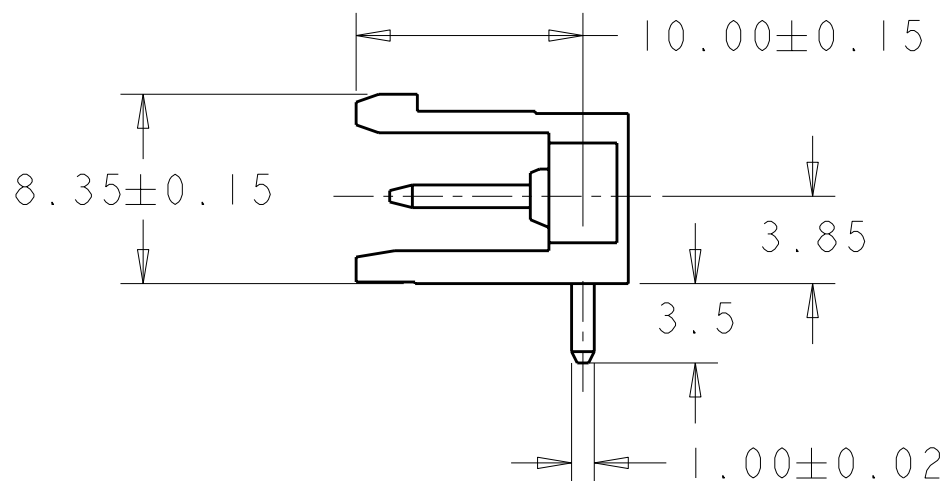
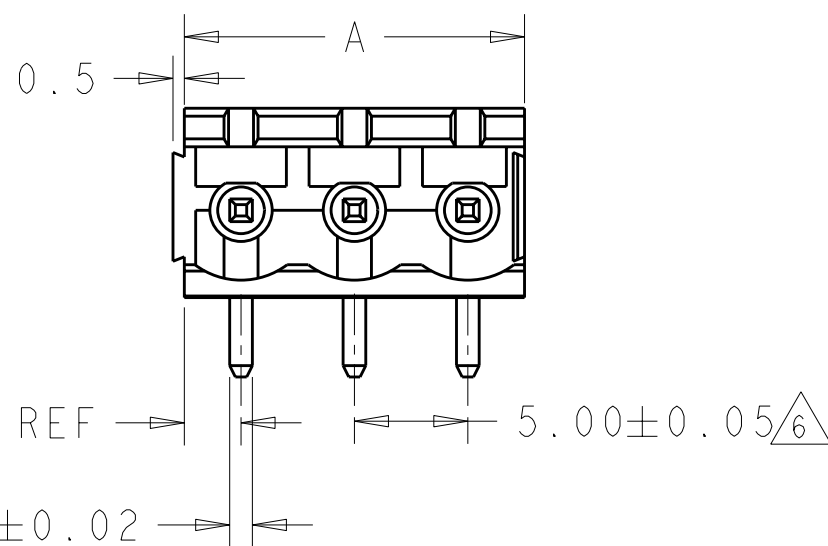
REVISIONS

P	LTR	DESCRIPTION	DATE	DWN	APVD
	C2	REVISED PER ECO-12-007964	03MAY2012	KH	MS

INTERLOCKING FEATURE

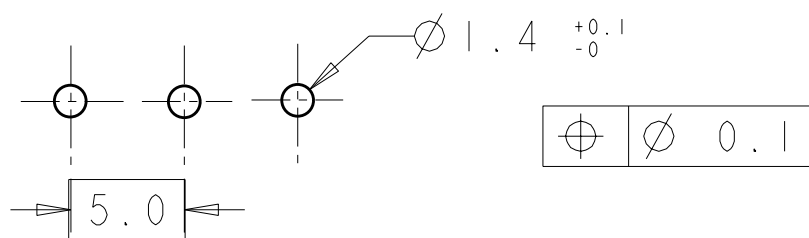


282811-3 AS SHOWN



- 1 MATERIALS AND FINISH
HOUSING: PA 6-6, UL 94-V0, COLOR GREEN.
TERMINAL: COPPER ALLOY, TIN PLATED.
- 2 SUITABLE FOR 1,6-2,4mm PC BOARD THICKNESS.
- 3 END-TO-END STACKABLE W/INTERLOCK WITHOUT LOSS OF CENTERLINE SPACING.
- 4 RECOGNIZED UNDER THE COMPONENT PROGRAM OF UNDERWRITERS LABORATORIES INC. FILE N° E60677.
- 5 IMQ CERTIFICATE WITH SURVEILLANCE IN CONFORMITY WITH IEC 998-1/998-2-1.
- 6 NOT CUMULATIVE TOLERANCE.

DIM. A	N° OF POS.	PART NUMBER
20	4	282811-4
15	3	282811-3
10	2	282811-2



RECOMMENDED PC BOARD LAYOUT

THIS DRAWING IS A CONTROLLED DOCUMENT.		DWN 24JUL2001 E. ZANOLINI		TE Connectivity	
DIMENSIONS: mm		CHK 24JUL2001 D. BIEVENOUR			
TOLERANCES UNLESS OTHERWISE SPECIFIED:		APVD 24JUL2001 D. BIEVENOUR		NAME TERMINAL BLOCK HEADER ASSEMBLY 90 DEGREE STACKING W/INTERLOCK 5mm PITCH	
0 PLC ±-		PRODUCT SPEC 108-20166		SIZE A300779	
1 PLC ±.2		APPLICATION SPEC 114-20079		CAGE CODE C-282811	
2 PLC ±.25		WEIGHT -		DRAWING NO -	
3 PLC ±-		CUSTOMER DRAWING		RESTRICTED TO -	
4 PLC ±-		SCALE 3:1		SHEET 1 OF 1	
ANGLES ±2		REV C2			
FINISH					

Mouser Electronics

Authorized Distributor

Click to View Pricing, Inventory, Delivery & Lifecycle Information:

[TE Connectivity:](#)

[282811-3](#)