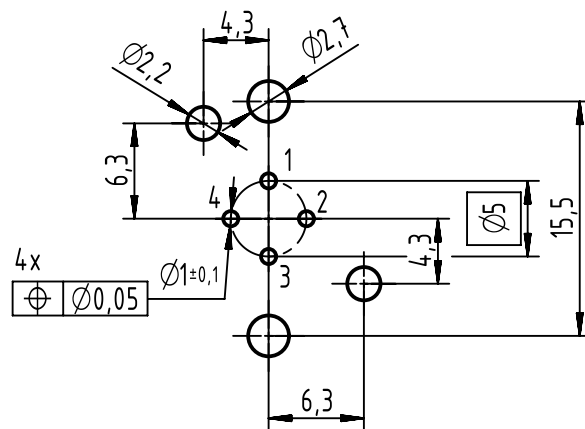
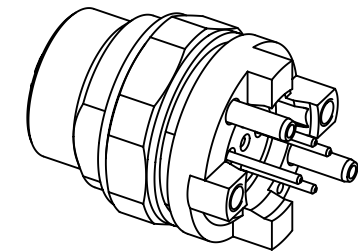
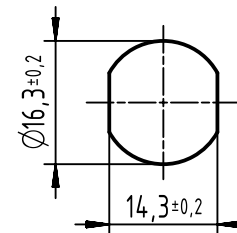


PCB layout



panel cut out  
(1:1)



1 top surface PCB

recommended PCB-thickness: 1.6mm

	All rights reserved Department EC PD - DE	All Dimensions in mm Original Size DIN A4		Scale 2:1	Free size tol.	Ref. Sub. TB 21033816410 500000056709 2012-11-26	
		Created by HASSE	Inspected by WELLMANN	Standardisation HOFFMANN	Date 2015-09-04	State Final Release	
HARTING Electronics GmbH D-32339 Espelkamp		Title HARTING M12 PFT D-cod 4-pole female straight IP20				Doc-Key / ECM-Nr. 100196082/UGD/003/F 500000093268	
		Type TB	Number 21033816410			Rev. F	Page 1/1

# Mouser Electronics

Authorized Distributor

Click to View Pricing, Inventory, Delivery & Lifecycle Information:

[HARTING:](#)

[21033816410](#)