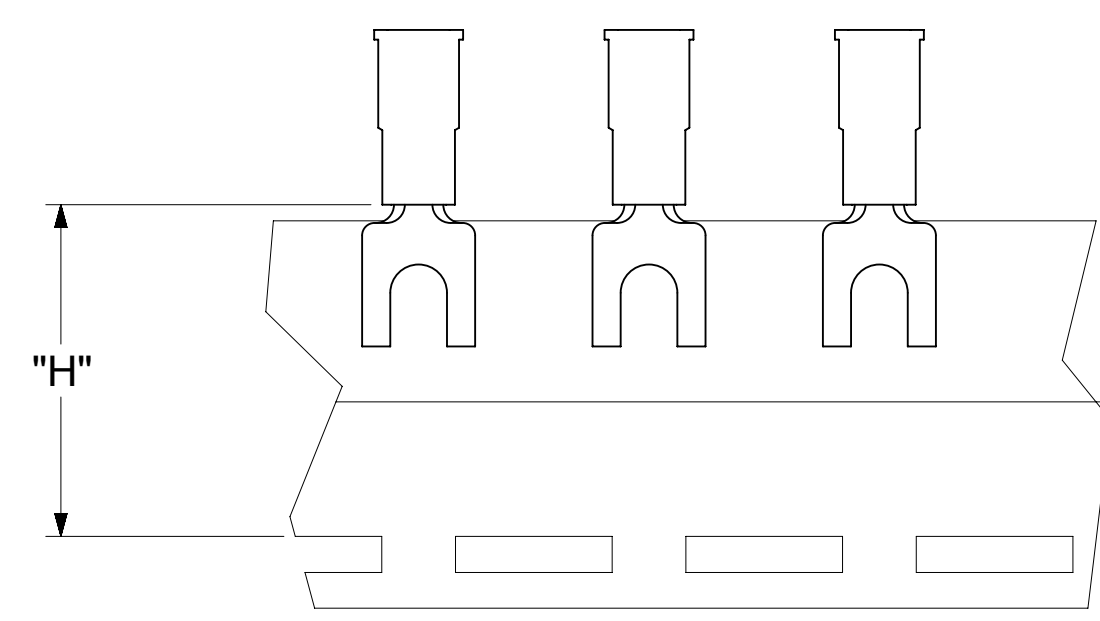
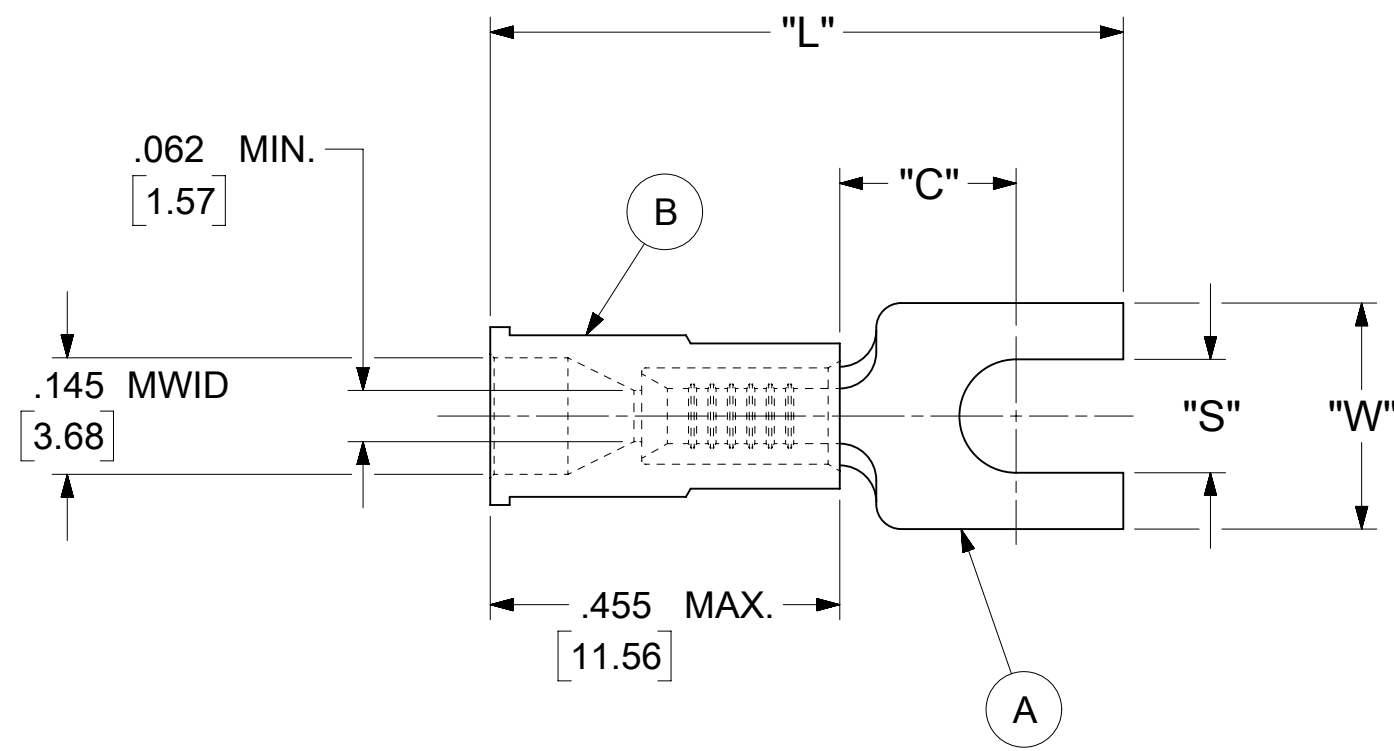


LOOSE PIECE		TAPE MOUNTED		SPECIFICATIONS						
MATERIAL NUMBER	ENGINEERING NUMBER	MATERIAL NUMBER	ENGINEERING NUMBER	STUD SIZE	"S" ±.005 [0.13]	"W" ±.010 [0.25]	"C" MIN.	"L" MAX.	"H"	STOCK THICKNESS
191300005	A-234-06X	---	---	6	.146 [3.71]	.291 [7.39]	.207 [5.26]	.835 [21.21]	---	.028 $\frac{+.001}{-.000}$ [0.71]
191300006	A-234-08X	---	---	8	.173 [4.39]					
191300007	A-234-10X	---	---	10	.198 [5.03]					
191300008	A-238-04X	---	---	4	.119 [3.02]	.245 [6.22]	.207 [5.26]	.835 [21.21]	.980 [24.89]	.028 $\frac{+.001}{-.000}$ [0.71]
191300009	A-238-06X	191420009	A-238-06XT	6	.146 [3.71]					



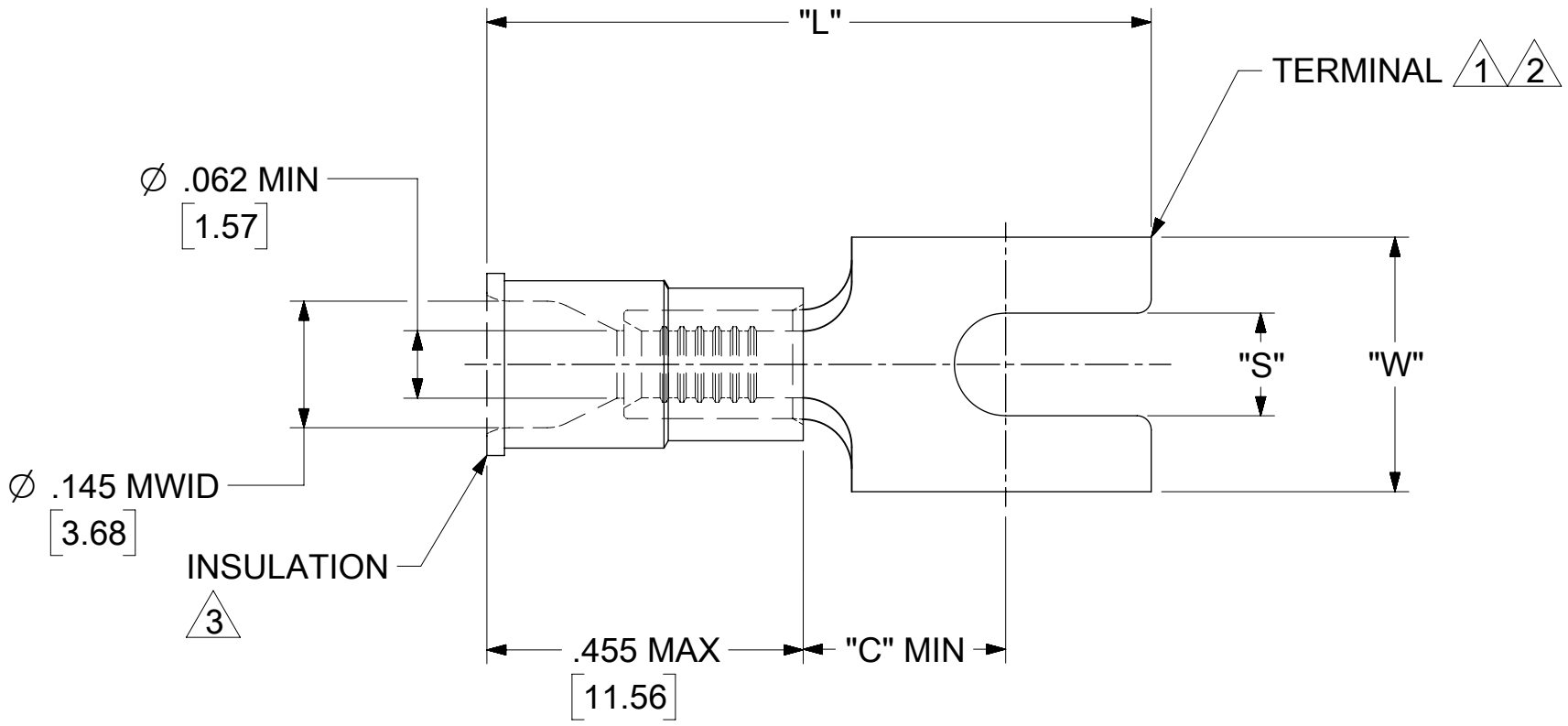
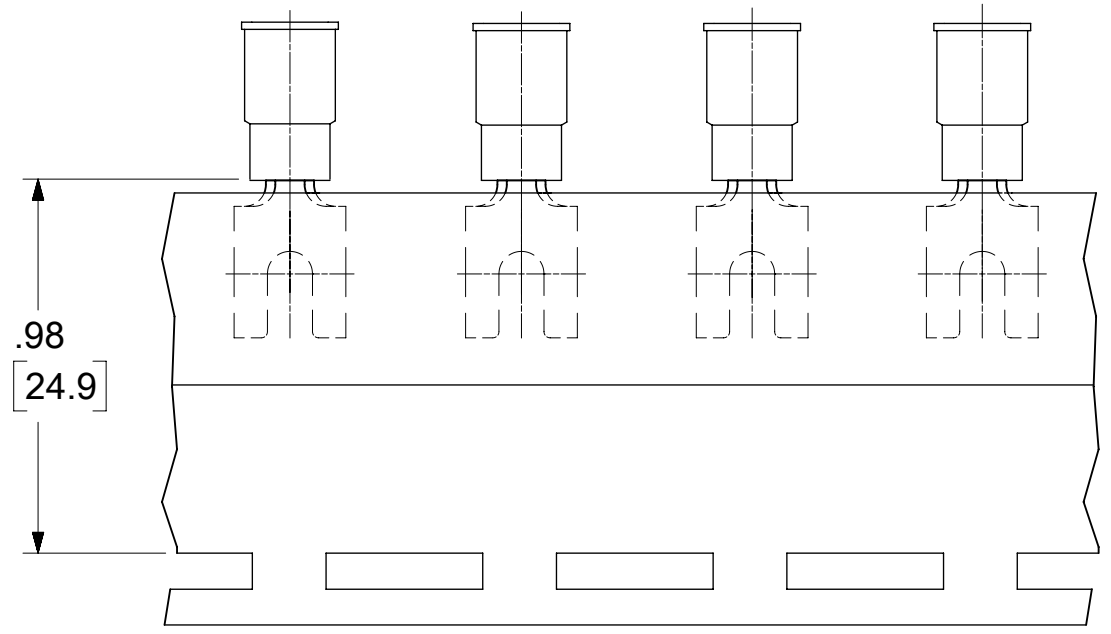
PARTS ON TAPE

NOTES:

- MATERIAL:
 - (A). SPADE TONGUE TERMINAL: COPPER
 - PLATING: ELECTRO-TIN (.0003 MIN.)
 - (B). INSULATION: MOLDED PVC (RED)
- MWID: MAXIMUM WIRE INSULATION DIAMETER
0.25 -1.5 MM²
- WIRE SIZE: 22 -18 AWG
- ALL DIMENSIONS IN INCHES/[MM].
- PARTS ARE ROHS COMPLIANT.
- DIMS. SHOWN ARE FOR REFERENCE ONLY.

SYMBOLS	THIS DRAWING CONTAINS INFORMATION THAT IS PROPRIETARY TO MOLEX ELECTRONIC TECHNOLOGIES, LLC AND SHOULD NOT BE USED WITHOUT WRITTEN PERMISSION									
	DIMENSION UNITS		SCALE		CURRENT REV DESC: MIGRATION TO ECTR/NX					
∇ = 0	INCH/MM	NTS		EC NO: 620952 DRWN: ABENJAMINLW 2019/06/27 CHK'D: GROJAS01 2019/07/19 APPR: JMACNEIL 2019/08/05 INITIAL REVISION: DRWN: JJ 1984/10/29 APPR: JMACNEIL 2019/08/05						
∇ = 0	GENERAL TOLERANCES (UNLESS SPECIFIED)									
∇ = 0		MM	INCH	PRODUCT CUSTOMER DRAWING DOCUMENT NUMBER: 191300004 DOC TYPE: PSD DOC PART: 000 REVISION: A MATERIAL NUMBER: SEE TABLE CUSTOMER: GENERAL MARKET SHEET NUMBER: 1 OF 1						
S = 0	4 PLACES	± ---	± ---							
∇ = 0	3 PLACES	± ---	± .005							
∇ = 0	2 PLACES	± 0.13	± .01							
∇ = 0	1 PLACE	± 0.25	± ---							
∇ = 0	0 PLACES	± ---	± ---							
∇ = 0	ANGULAR TOL ± 0.5°		THIRD ANGLE PROJECTION							
∇ = 0	DRAFT WHERE APPLICABLE MUST REMAIN WITHIN DIMENSIONS		DRAWING		SERIES		C-SIZE 19130			

10	9	8	7	6	5	4	3	2	1
MATERIAL NUMBER	ENGINEERING NUMBER	STUD SIZE	"S" ±.005/(0.13)	"W" ±.010/(0.25)	"C" MIN.	"L" MAX.	PACKAGING		
191300008	A-238-04X	4	.119/(3.02)	.245/(6.22)	.207/(5.26)	.835/(21.21)	LOOSE PIECE		
191300009	A-238-06X	6	.146/(3.71)	.245/(6.22)	.207/(5.26)	.835/(21.21)	LOOSE PIECE		
191420058	A-238-04XT	4	.119/(3.02)	.245/(6.22)	.207/(5.26)	.835/(21.21)	TAPE MOUNTED		
191420009	A-238-06XT	6	.146/(3.71)	.245/(6.22)	.207/(5.26)	.835/(21.21)	TAPE MOUNTED		



NOTE(S):

- 1 MATERIAL: COPPER .029/ .028 (0.74/ 0.71) THICK.
- 2 PLATING: ELECTRO-TIN
- 3 INSULATION: MOLDED PVC (RED).
- 4. MWID = MAXIMUM WIRE INSULATION DIAMETER.
- 5. PARTS ARE RoHS COMPLIANT.

SYMBOLS	THIS DRAWING CONTAINS INFORMATION THAT IS PROPRIETARY TO MOLEX ELECTRONIC TECHNOLOGIES, LLC AND SHOULD NOT BE USED WITHOUT WRITTEN PERMISSION			
	DIMENSION UNITS	SCALE	CURRENT REV DESC: RMV OBSO PN -0058	
▽ = 0	IN/MM	5:1	molex BLOCK SPADE TONGUE TERMINAL, INSULKRIMP, 22-18 AWG PRODUCT CUSTOMER DRAWING	
▽ = 0	GENERAL TOLERANCES (UNLESS SPECIFIED)			
▽ = 0		MM		INCH
▽ = 0	4 PLACES ±	±		±
▽ = 0	3 PLACES ±	±		±
▽ = 0	2 PLACES ±	±	±	
▽ = 0	1 PLACE ±	±	±	
▽ = 0	0 PLACES ±	±	±	
▽ = 0	ANGULAR TOL ± 0.5°	INITIAL REVISION:		
▽ = 0	DRAFT WHERE APPLICABLE MUST REMAIN WITHIN DIMENSIONS	THIRD ANGLE PROJECTION	DRAWING	
▽ = 0		B-SIZE	SERIES	
		19142	MATERIAL NUMBER	
		SEE CHART	CUSTOMER	
		GENERAL MARKET	DOCUMENT NUMBER	
		1 OF 1	SD-19142-002	
			DOC TYPE	
			PSD	
			DOC PART	
			001	
			REVISION	
			B1	