

Type 2 surge protection device - SYS-SET/3+1/T2/690 - 2880367


Please be informed that the data shown in this PDF Document is generated from our Online Catalog. Please find the complete data in the user's documentation. Our General Terms of Use for Downloads are valid (<http://phoenixcontact.com/download>)



Surge protection combination type 2 for 500 V AC and 690 V AC in an IT system (without neutral conductor)



Key Commercial Data

Packing unit	1 pc
GTIN	 4 046356 048835
GTIN	4046356048835

Technical data

Dimensions

Height	96.8 mm
Width	70.8 mm
Depth	65.5 mm
Horizontal pitch	4 Div.

Ambient conditions

Degree of protection	IP20
Ambient temperature (operation)	-40 °C ... 80 °C

General

IEC power supply system	IT
Housing material	PA
Flammability rating according to UL 94	V0
Standards for clearances and creepage distances	IEC 60664-1
	DIN VDE 0110-1
Overvoltage category	III
Degree of pollution	2
Total surge current (8/20) µs	15 kA
Mounting type	DIN rail: 35 mm

Type 2 surge protection device - SYS-SET/3+1/T2/690 - 2880367

Technical data

General

Type	DIN rail module, two-section, divisible
Surge protection fault message	Optical, remote indicator contact
Direction of action	3L-PE

Protective circuit

IEC test classification	II
EN type	T2
Maximum continuous operating voltage U_C (L-PE)	750 V AC
Nominal frequency f_N	50 Hz (60 Hz)
Residual current I_{PE}	≤ 0.25 mA
Max. discharge current I_{max} (8/20) μ s maximum (L-PE)	30 kA
Nominal discharge current I_n (8/20) μ s (L-PE)	15 kA
Voltage protection level U_p (L-PE)	≤ 5.6 kV
Residual voltage (L-PE)	≤ 5.6 kV
	≤ 5.6 kV (at 5 kA)
Response time t_A (L-PE)	≤ 25 ns
Max. backup fuse with branch wiring	125 A (gL)
Short-circuit withstand capability I_P with max. backup fuse (r.m.s.)	25 kA (effective)

Connection, protective circuit

Connection method	Screw terminal block
Connection method IN	Biconnect screw terminal block
Connection method OUT	Biconnect screw terminal block
Connection technology	Biconnect terminal block
Screw thread	M5
Tightening torque	4.5 Nm
Stripping length	14.5 mm
Conductor cross section flexible min.	0.5 mm ²
Conductor cross section flexible max.	25 mm ²
Conductor cross section solid min.	0.5 mm ²
Conductor cross section solid max.	35 mm ²
Conductor cross section AWG min.	20
Conductor cross section AWG max.	2

Remote indication contact

Connection name	Remote fault indicator contact
Switching function	PDT contact
Connection method	Screw connection
Screw thread	M2
Tightening torque	0.25 Nm
Stripping length	7 mm
Conductor cross section flexible min.	1.5 mm ²

Type 2 surge protection device - SYS-SET/3+1/T2/690 - 2880367

Technical data

Remote indication contact

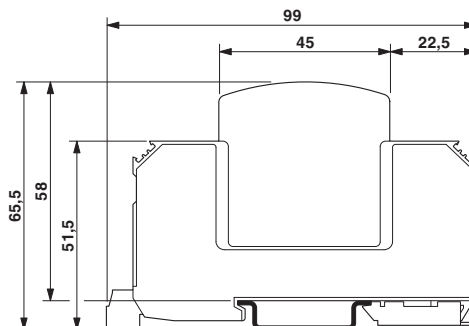
Conductor cross section flexible max.	0.14 mm ²
Conductor cross section solid min.	1.5 mm ²
Conductor cross section solid max.	0.14 mm ²
Conductor cross section AWG min.	28
Conductor cross section AWG max.	16
Maximum operating voltage U _{max} AC	250 V AC
Maximum operating voltage U _{max} DC	125 V DC
Max. operating current I _{max}	1 A AC (inductive)
	1 A AC (ohmic)
	30 mA DC (inductive)
	200 mA DC (ohmic)

Standards and Regulations

Standards/regulations	IEC 61643-1
	EN 61643-11

Drawings

Dimensional drawing



Phoenix Contact 2018 © - all rights reserved
<http://www.phoenixcontact.com>

PHOENIX CONTACT GmbH & Co. KG
Flachsmarktstr. 8
32825 Blomberg
Germany
Tel. +49 5235 300
Fax +49 5235 3 41200
<http://www.phoenixcontact.com>

Mouser Electronics

Authorized Distributor

Click to View Pricing, Inventory, Delivery & Lifecycle Information:

[Phoenix Contact:](#)

[2880367](#)