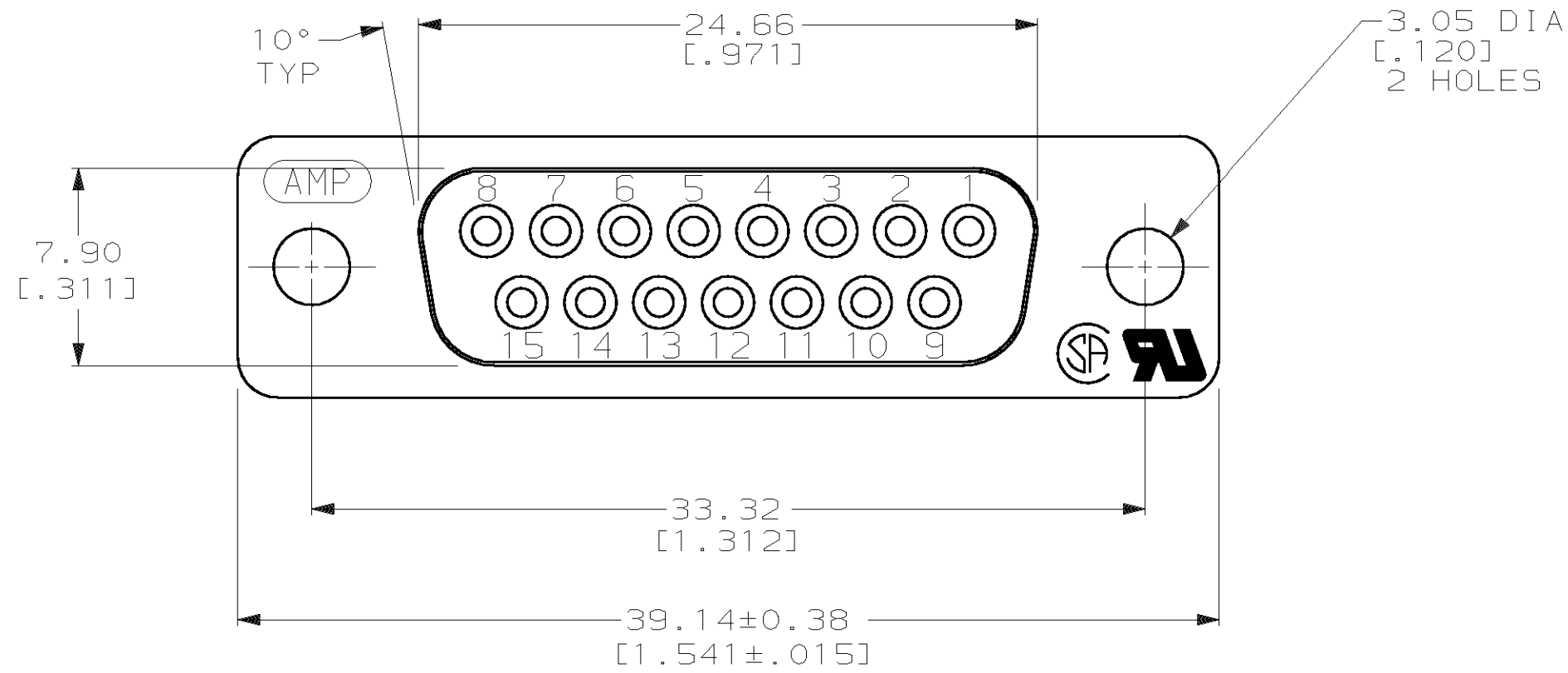
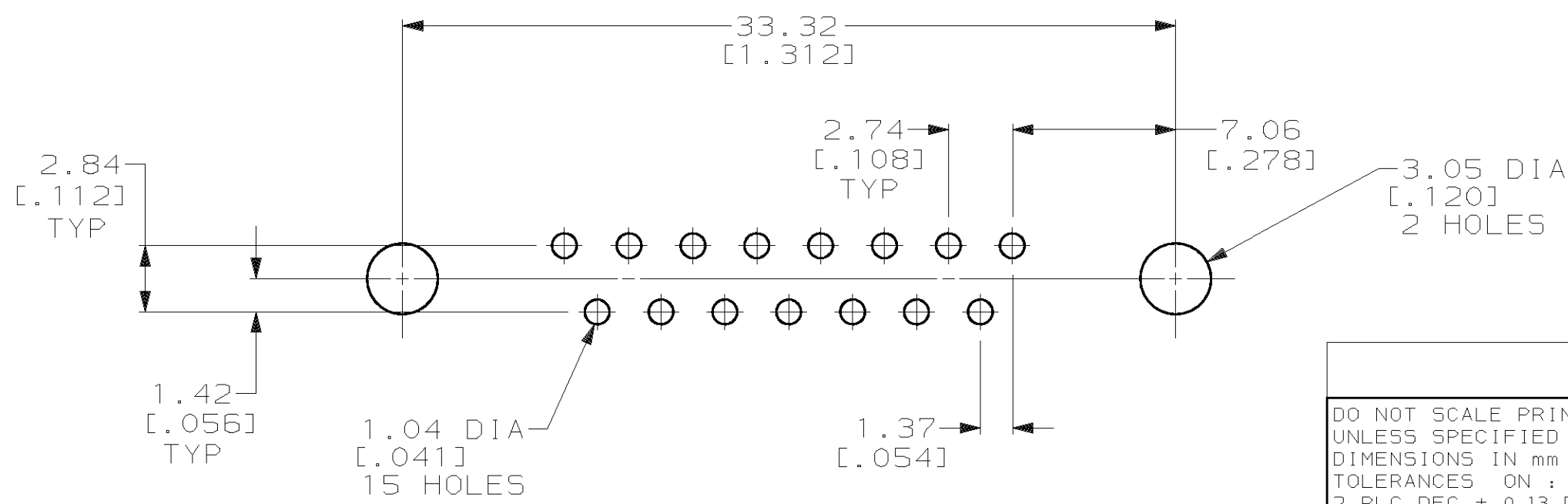
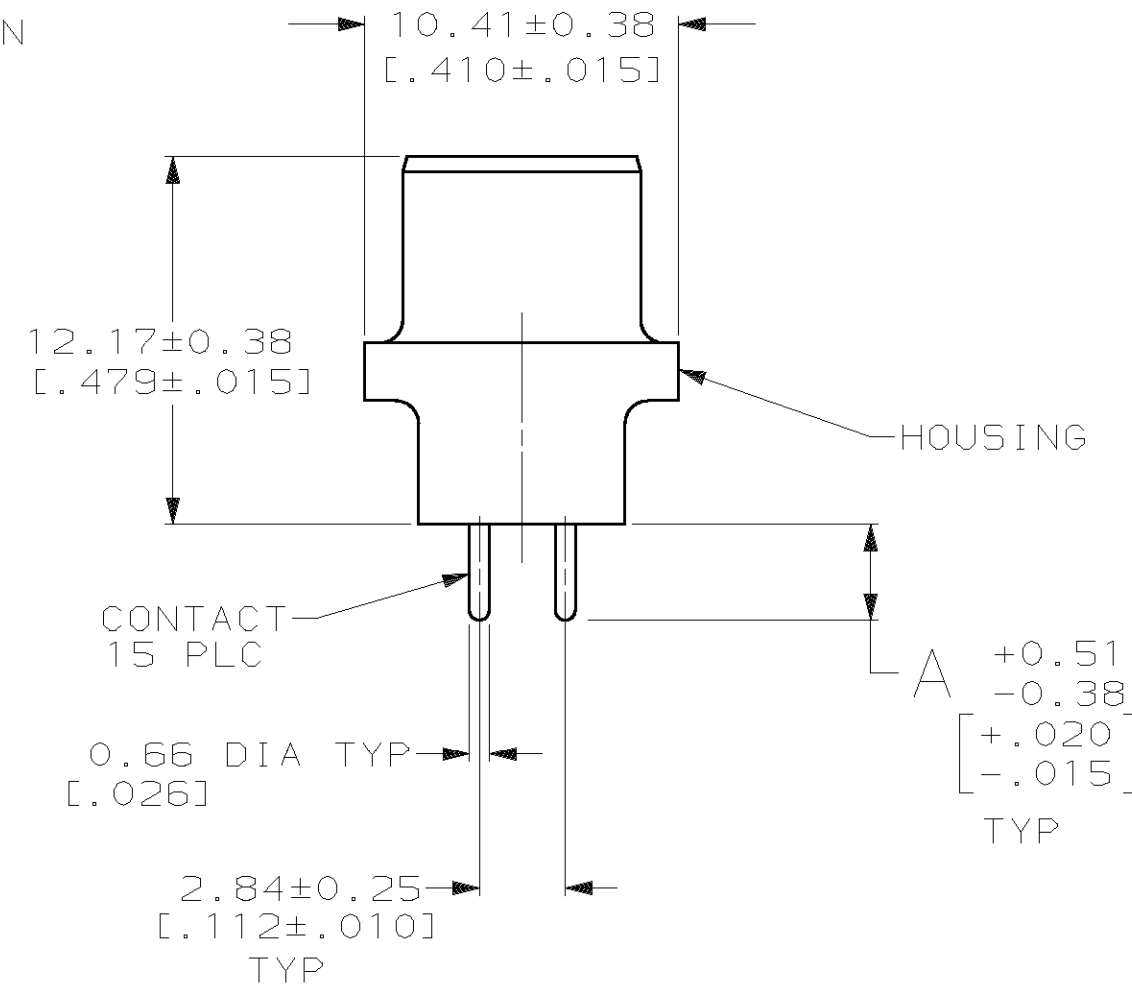
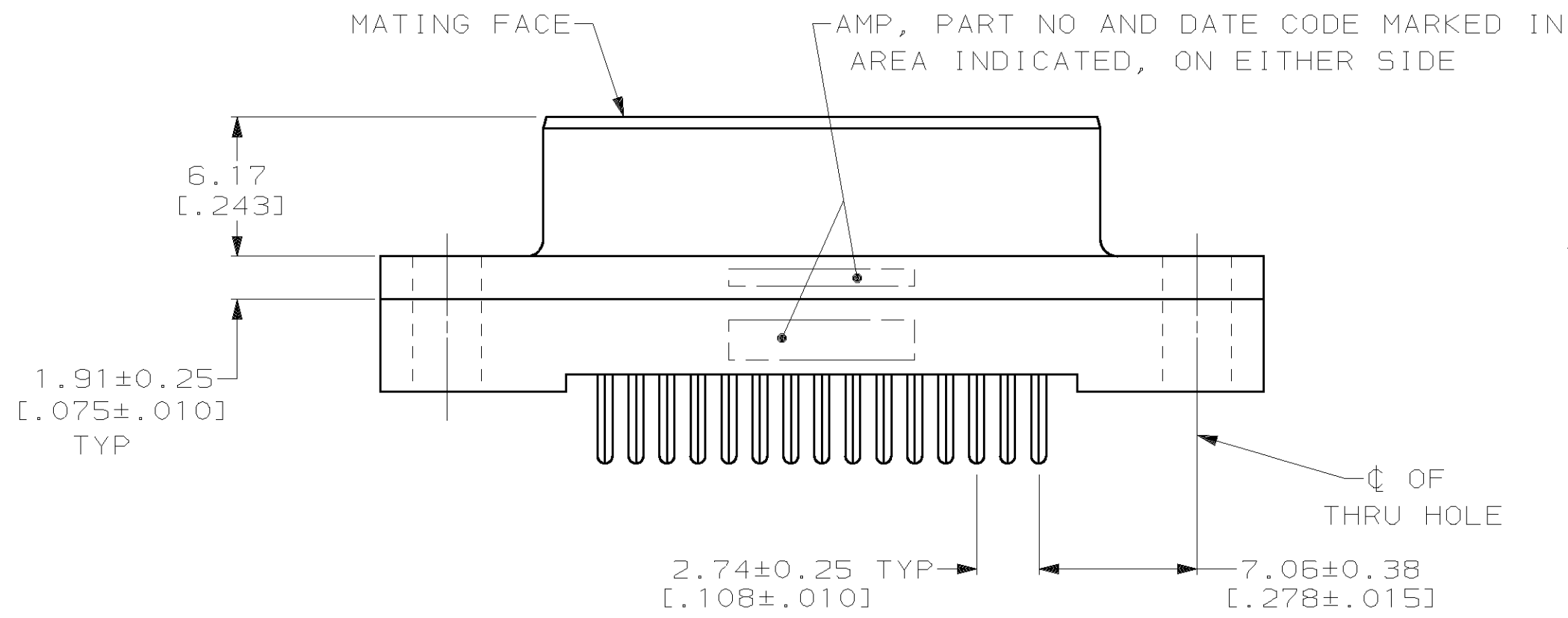


THIS DRAWING IS UNPUBLISHED. RELEASED FOR PUBLICATION ,19 .
 © COPYRIGHT 19 BY AMP INCORPORATED. ALL INTERNATIONAL RIGHTS RESERVED.

LOC		DIST		P		F		ZONE		LTR		REVISIONS		DATE	APPD
GP	00									G		REVISED PER EC 0513-0017-03	12MAY03	JG	



- ① HOUSING: BLACK POLYESTER, UL 94V-0 RATED; CONTACTS: PHOSPHOR BRONZE PER QQ-B-750.
- ② GOLD PLATING PER MIL-G-45204, TIN PLATING PER MIL-T-10727, NICKEL PLATING PER QQ-N-290.
- ③ GOLD FLASH FOR A LENGTH OF 2.54 [0.100] MIN FROM MATING END, 2.54µm [0.000100] MIN TIN OR TIN-LEAD FOR A LENGTH OF DIMENSION A FROM OPPOSITE END, ALL OVER 1.27µm [0.000050] MIN NICKEL.
- ④ 0.76µm [0.000030] MIN GOLD FOR A LENGTH OF 2.54 [0.100] MIN FROM MATING END, 2.54µm [0.000100] MIN TIN OR TIN-LEAD FOR A LENGTH OF DIMENSION A FROM OPPOSITE END, ALL OVER 1.27µm [0.000050] MIN NICKEL.



	A	CONTACT FINISH	PART NO
OBSOLETE	6.35 [0.250]	④	207827-8
OBSOLETE	6.35 [0.250]	③	207827-7
OBSOLETE	4.32 [0.170]	④	207827-6
OBSOLETE	4.32 [0.170]	③	207827-5
	3.18 [0.125]	④	207827-4
	3.18 [0.125]	③	207827-3

DO NOT SCALE PRINT. UNLESS SPECIFIED DIMENSIONS IN mm [INCHES] TOLERANCES ON : 2 PLC DEC ± 0.13 [0.005] 3 PLC DEC ± - ANGLES ± 2°		DR 11-16-89 J McCLINTON		AMP INCORPORATED Harrisburg, Pa. 17105	
MATERIAL		CHK 2-1-90 R.STONE			
FINISH ② CONTACT: SEE TABLE		APPD 2-2-90 S.SCHIEFFERLY		NAME RECEPTACLE ASSEMBLY, SIZE 2, 15 POSN, VERTICAL, AMPLIMITE® HD-20	
		APPD 2-2-90 C.ROHDE		DRAWING NO 207827	
		PRODUCT SPEC 108-40025		SIZE C 00779	
		APPLICATION SPEC -		CAGE CODE 00779	
		WEIGHT -		SCALE 4:1	
				SHEET 1 OF 1	

RECOMMENDED PC BOARD MOUNTING DIMENSIONS

Mouser Electronics

Authorized Distributor

Click to View Pricing, Inventory, Delivery & Lifecycle Information:

[TE Connectivity:](#)

[207827-4](#)