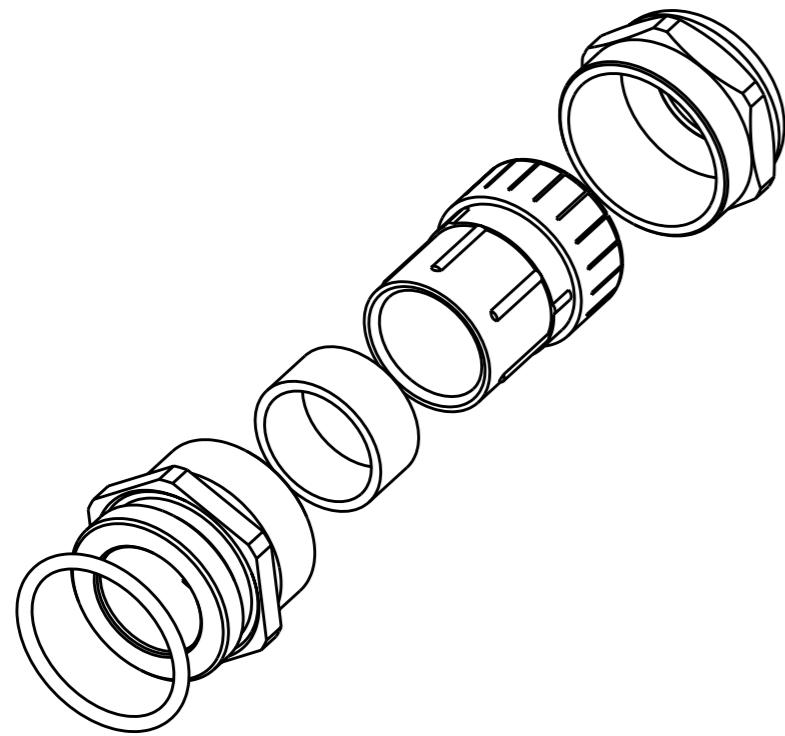
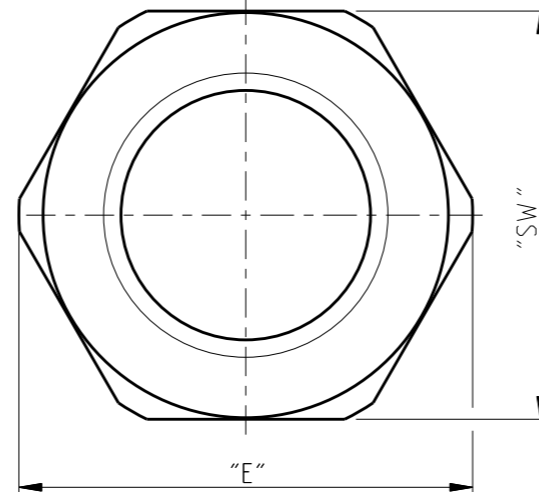
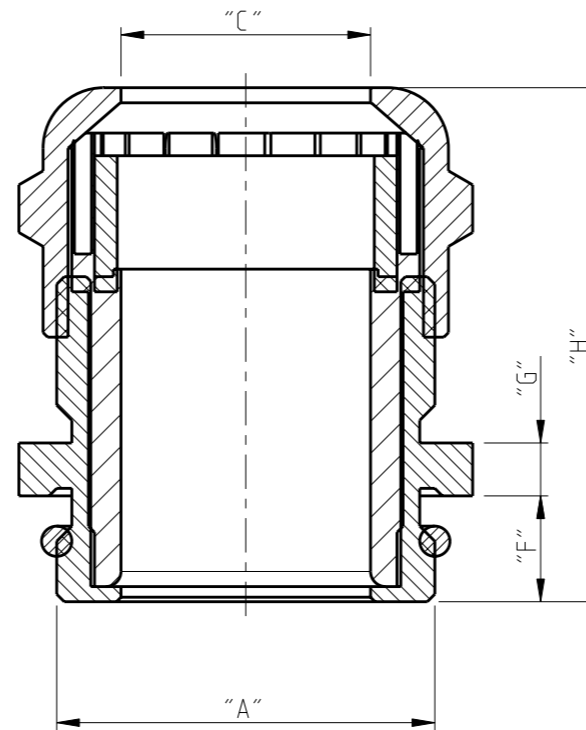


THIS DRAWING IS UNPUBLISHED. RELEASED FOR PUBLICATION 2009
 © COPYRIGHT 2009 BY TYCO ELECTRONICS CORPORATION. ALL INTERNATIONAL RIGHTS RESERVED.

LOC	DIST	REVISIONS				
P	LTR	DESCRIPTION	DATE	DWN	APVD	
A1	-					
	A2	ECR-08-019210	19OCT2009	AR	ST	



SCALE 1:1



M50	M50x1.5	Ø35.3	Ø60	9	4.5	47.5	55
M40	M40x1.5	Ø27.3	Ø46	8	4.5	41	43
M32	M32x1.5	Ø21.3	Ø36	8	4.5	38	34
M25	M25x1.5	Ø16.3	Ø30	7	3.5	36.5	27
M20	M20x1.5	Ø13.3	Ø24	6	3.5	33	22
M16	M16x1.5	Ø9.1	Ø19	5	3	29	17
SIZE	A	C	E	F	G	H max.	SW

THIS DRAWING IS A CONTROLLED DOCUMENT FOR TYCO ELECTRONICS CORPORATION
 IT IS SUBJECT TO CHANGE AND THE CONTROLLING ENGINEERING ORGANIZATION
 SHOULD BE CONTACTED FOR THE LATEST REVISION.

DIMENSIONS:		TOLERANCES UNLESS OTHERWISE SPECIFIED:	
mm			
	0 PLC	±	n.ISO 8015
	1 PLC	±	n.ISO 2768-mH-E
	2 PLC	±	n.DIN 16901-120
	3 PLC	±	
	4 PLC	±	
	ANGLES	±	
MATERIAL	FINISH		

DWN	Schneider	20.02.2002
CHK	Braun	20.02.2002
APVD	-	-
PRODUCT SPEC	-	-
APPLICATION SPEC	-	-
WEIGHT	-	-
CUSTOMER DRAWING		

		Tyco Electronics.AMP.GmbH D-53757 Sankt Augustin, Germany	
NAME CABLE GLAND ASSY SERIES EMV, METRIC			
SIZE	CAGE CODE	DRAWING NO	RESTRICTED TO
A3	00779	©=1102772	-
SCALE 2:1		SHEET 1 OF 1	REV A2

Mouser Electronics

Authorized Distributor

Click to View Pricing, Inventory, Delivery & Lifecycle Information:

[TE Connectivity:](#)

[2-1102772-5](#)