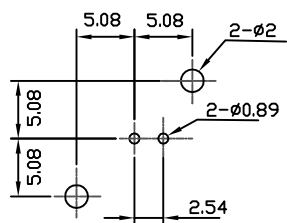
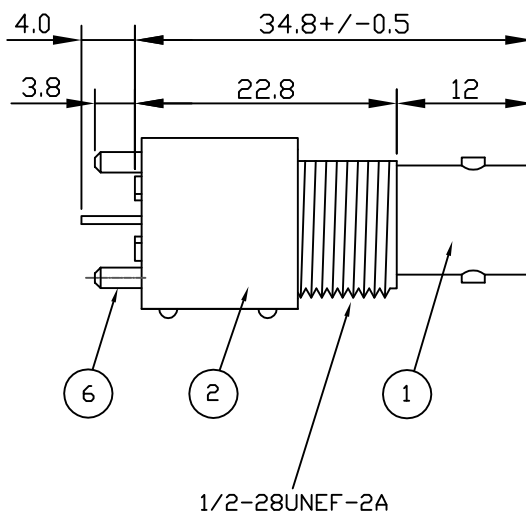
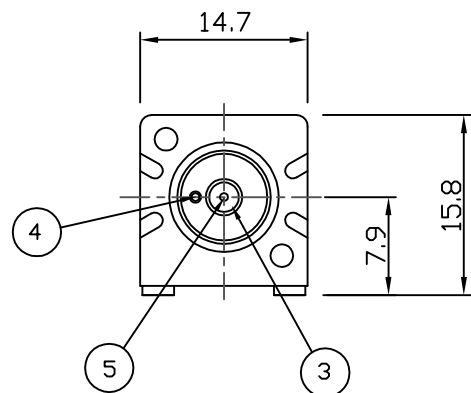
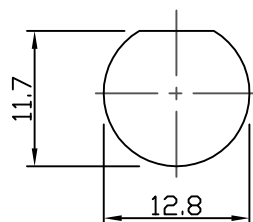


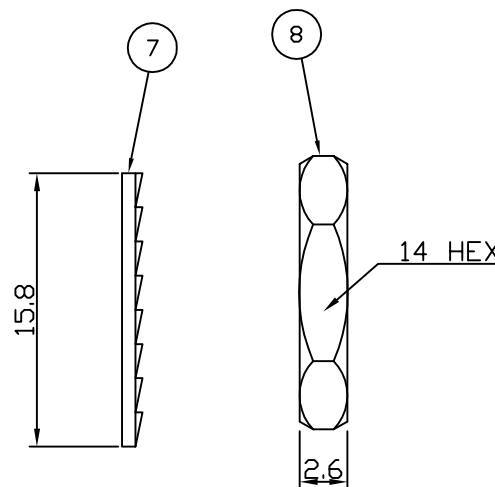
RoHS COMPLIANT



RECOMMENDED PCB LAYOUT



RECOMMENDED PANEL CUTOUT



Electrical Characteristics

Nominal Impedance:	75 ohms
Frequency Range:	DC to 1 GHz
VSWR:	1.3:1 maximum
Insertion Loss:	0.2 dB at 1 GHz
Operating Voltage (rms):	500 V maximum at sea level
Dielectric Withstand Voltage (rms):	1500 V maximum at sea level
Contact Resistance:	3.0 milliohms maximum
Insulation Resistance:	5000 megohms minimum

Mechanical Characteristics

Mating Cycles:	500 cycles minimum
Interface Dimensions:	Conform to MIL-C-39012

Environmental Characteristics

Temperature Range:	-55 °C to +85 °C
--------------------	------------------

REF.	DESCRIPTION	MATERIAL	PLATING
1	Shell	Zinc Alloy	Nickel
2	Body	P.B.T. UL94V-0	
3	Insulator	POM	
4	Ground Terminal	Brass	Tin
5	Socket Contact	Phosphor	Gold
6	Mount Post	Phosphor	TIN >5 Microns
7	Lock washer	Iron	Nickel
8	Hex Nut	Zinc	Nickel

DESCRIPTION OF REVISION	APPVD	ISS	DATE
ECN2015-008	JC	6	26 Aug 15
PCB Layout	MS	5	28 Aug 09
Change Of Center Pins Diameter	LB	4	26 Mar 09
Complete Update	KA	3	13 Mar 08
CAD Issue	SN	2	07 Feb 02
First Issue	DH	1	06 Jan 98



11 Bilton Road,
Chelmsford, Essex,
CM1 2UP, UK.
Tel: +44 (0) 1245 359515
Fax: +44 (0) 1245 358938

SCALE: Not To Scale

DIMENSIONS: mm

TOLERANCES:
± 0.2mm unless
otherwise stated

DRAWN BY:	S Nash
CHECKED BY:	S Nash
APPROVED BY:	M Nielsen
DATE:	07 Feb 02

TITLE:
**Insulated BNC Vertical PCB
Mount Jack**

PART NUMBER:
VBI301-75

PAGE: 1 of 1

Mouser Electronics

Authorized Distributor

Click to View Pricing, Inventory, Delivery & Lifecycle Information:

[Cinch Connectivity Solutions:](#)

[VBI301-75](#)