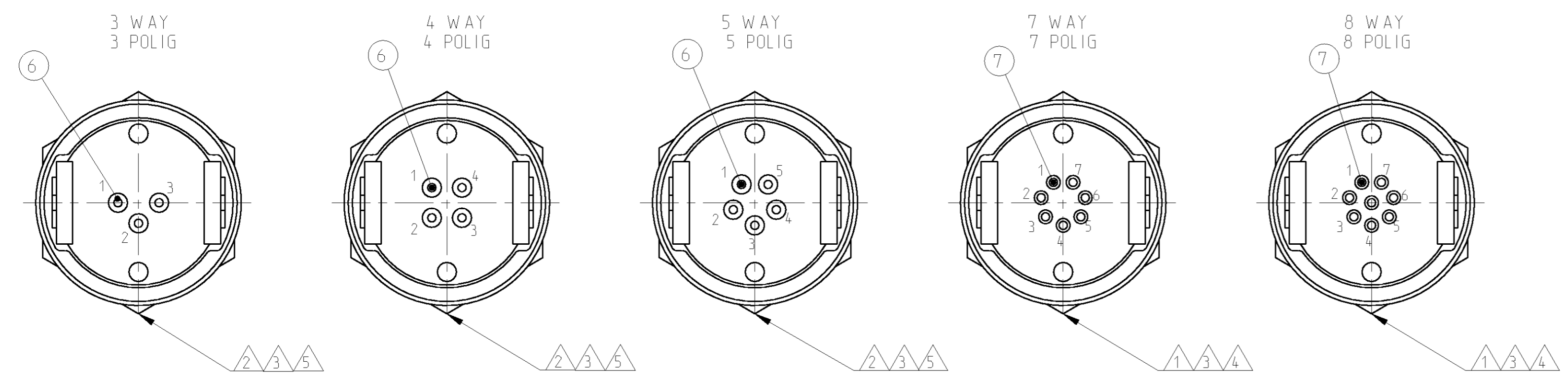
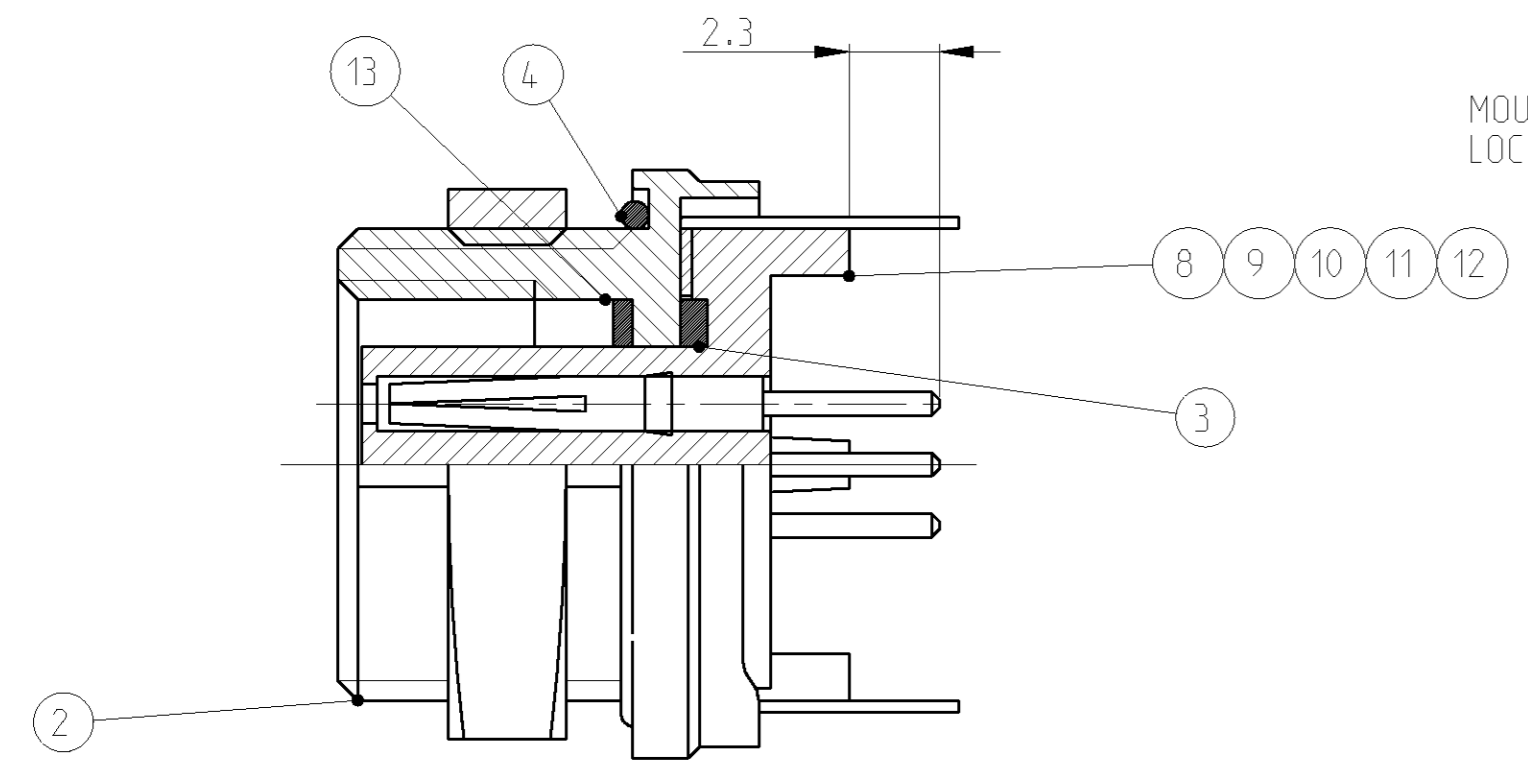
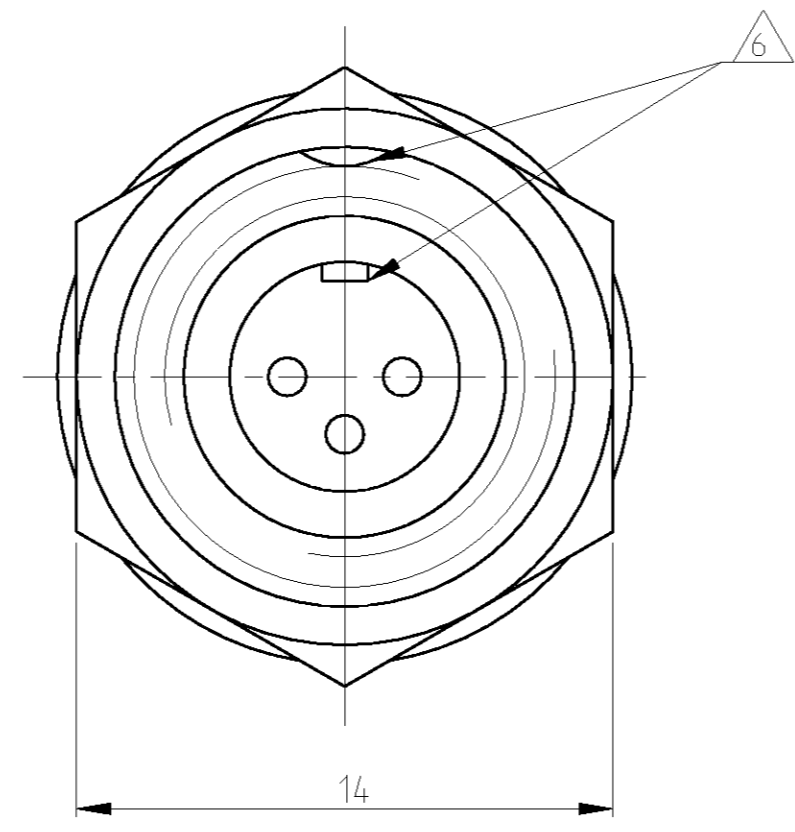
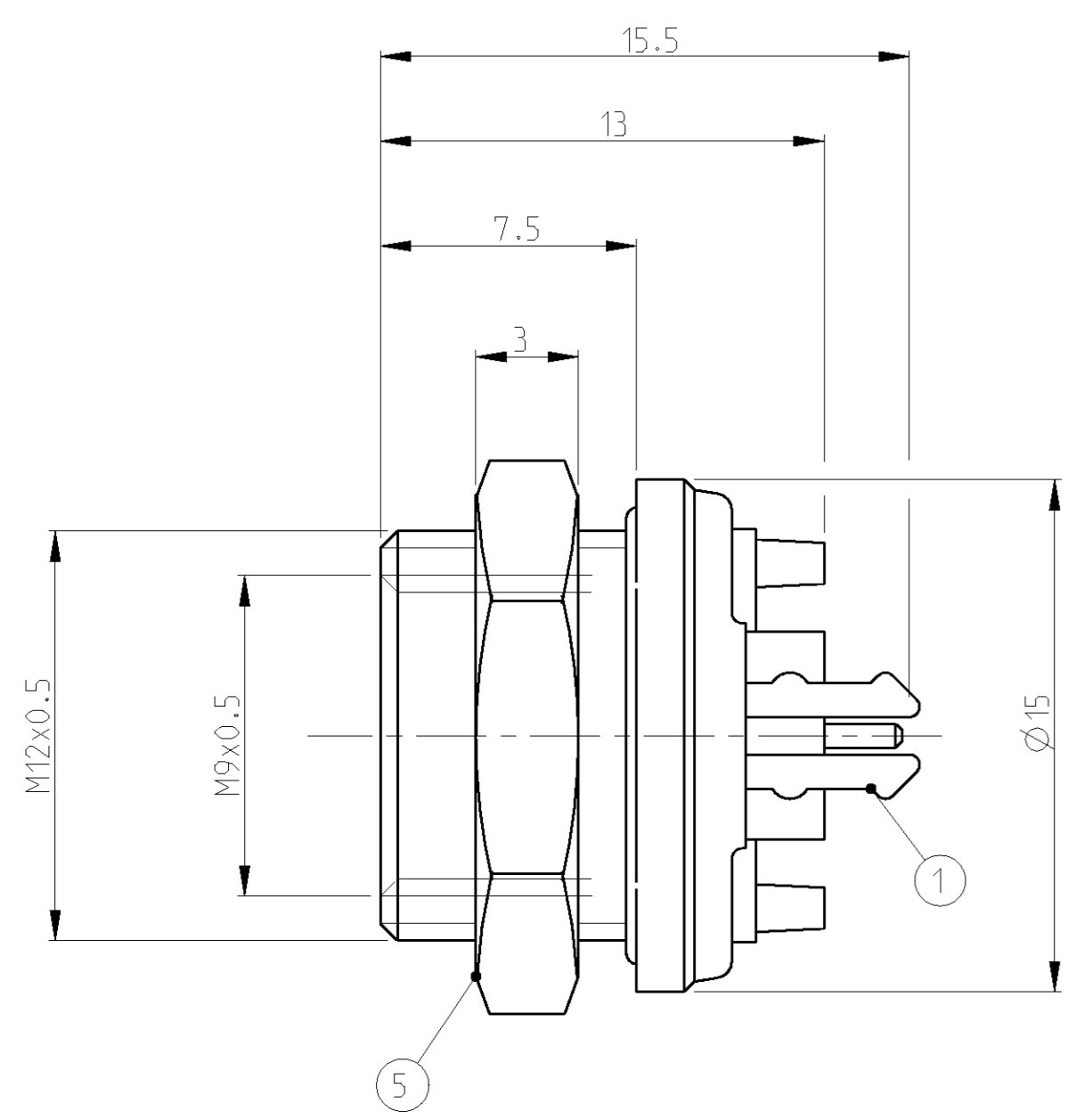
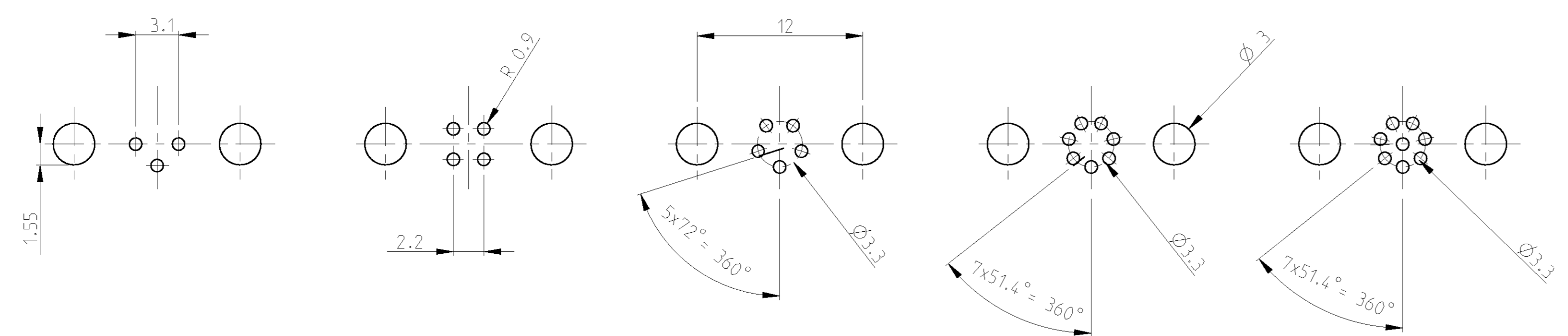


LOC	REV	DATE	DESCRIPTION	DATE	DWN	APPR
A1	-	18 JUN 2001	EG00-0576-01	18 JUN 2001	NG	GF



PCB HOLES
 PCB THICKNESS 1.6 mm MAX.
 PCB LOCHBILD
 PCB DICKE 1.6 mm MAX.



MOUNTING HOLE DIMENSION
 LOCHBILD FUER MONTAGE

MATERIAL / MATERIAL: PBT, UL-94 V2	△
SHELL MATERIAL / GEHAUEMATERIAL: CUZN	△
FINISH / BESCHICHTUNG: TRIBOR 4 µm	△
CODING / KODIERUNG	△
WIRE GAGE / DRAHTGROESSE IN mm ² : 0.25	△
WIRE GAGE / DRAHTGROESSE IN mm ² : 0.14	△
CONTACT RESISTANCE / KONTAKTWIDERSTAND: => 5 mΩ	△
RATED CURRENT PER CONTACT / NENNSTROM PRO KONTAKT: 3 A	△
RATED CURRENT PER CONTACT / NENNSTROM PRO KONTAKT: 1 A	△
SHELL PROTECTION CLASS / SCHUTZKLASSE: IP 65 / DIN 40050	
TERMINATION: SOLDERING / VERBINDUNG: LOETKONTAKTE	
TEST VOLTAGE / PRUEFSPANNUNG: 500 VAC	
OPERATING VOLTAGE / BETRIEBSSPANNUNG: 60 VAC	
OPERATING TEMPERATURE: -40°C TO +80°C / ARBEITSTEMPERATUR: -40°C BIS +80°C	
MATING CYCLES / STECKZYKLEN: 500 MAX.	
TECHNICAL DATA TECHNISCHE DATEN	

TYCO-NO. / TYCO NR.			
7-1437719-8	7-1437719-5	7-1437719-2	6-1437719-9
1	1	1	1
1			
	1		
		1	
8	7		
		5	4
1	1	1	1
1	1	1	1
1	1	1	1
1	1	1	1
1	1	1	1
-	-	-	-
QTY REQD PER ASSY			
CATALOG-NO.		DESCRIPTION / BESCHREIBUNG	
CATALOG-NO.		PARTS LIST / TEILE LISTE	
CATALOG-NO.		ITEM-NO. TEIL-NR.	
REVISION OF EACH ASSY NO. (WHEN BLANK, USE DWG REV.)			

6-1437719-6 AS SHOWN
 WIE GEZEICHNET

DIMENSIONS: MASSENHEITEN: (mm)	TOLERANCES: ALLGEMEINTOLERANZ: 0 PLC ±0.3 1 PLC ±0.25 2 PLC ±0.2 3 PLC ±0.15 4 PLC ±0.1 5 PLC ±0.05 FINISH/FARBEN/FARBE	OTHERWISE SPECIFIED: ANDERSONS ANDERSONS APPLICATION SPEC. VERARBEITUNGSSPEZ.	DWN: H. GEISLER 18 JUN 2001 CDR: H. SCHERER 18 JUN 2001 APVD: H. GEISLER 18 JUN 2001	tyco Electronics tyco Electronics AMP GmbH D - 64625 Bensheim
MATERIAL: -			NAME: T01 FEMALE PLUG CONN. PANEL MNT. PCB VER. 3-8 POS. 180 DGR. T01 BUCHSENSTECKER.EINBAU.PCB VER. 3-8 POL. 180 GRAD	
WEIGHT: BEWICHT: -			SIZE: A1 CASE CODE: 00779 DRAWING NO.: 6-1437719-6 RESTRICTED TO: - NUR FUER: -	
CUSTOMER DRAWING			SCALE: - SHEET: 1 OF 1 REV: A1	

Mouser Electronics

Authorized Distributor

Click to View Pricing, Inventory, Delivery & Lifecycle Information:

[TE Connectivity:](#)

[6-1437719-6](#)