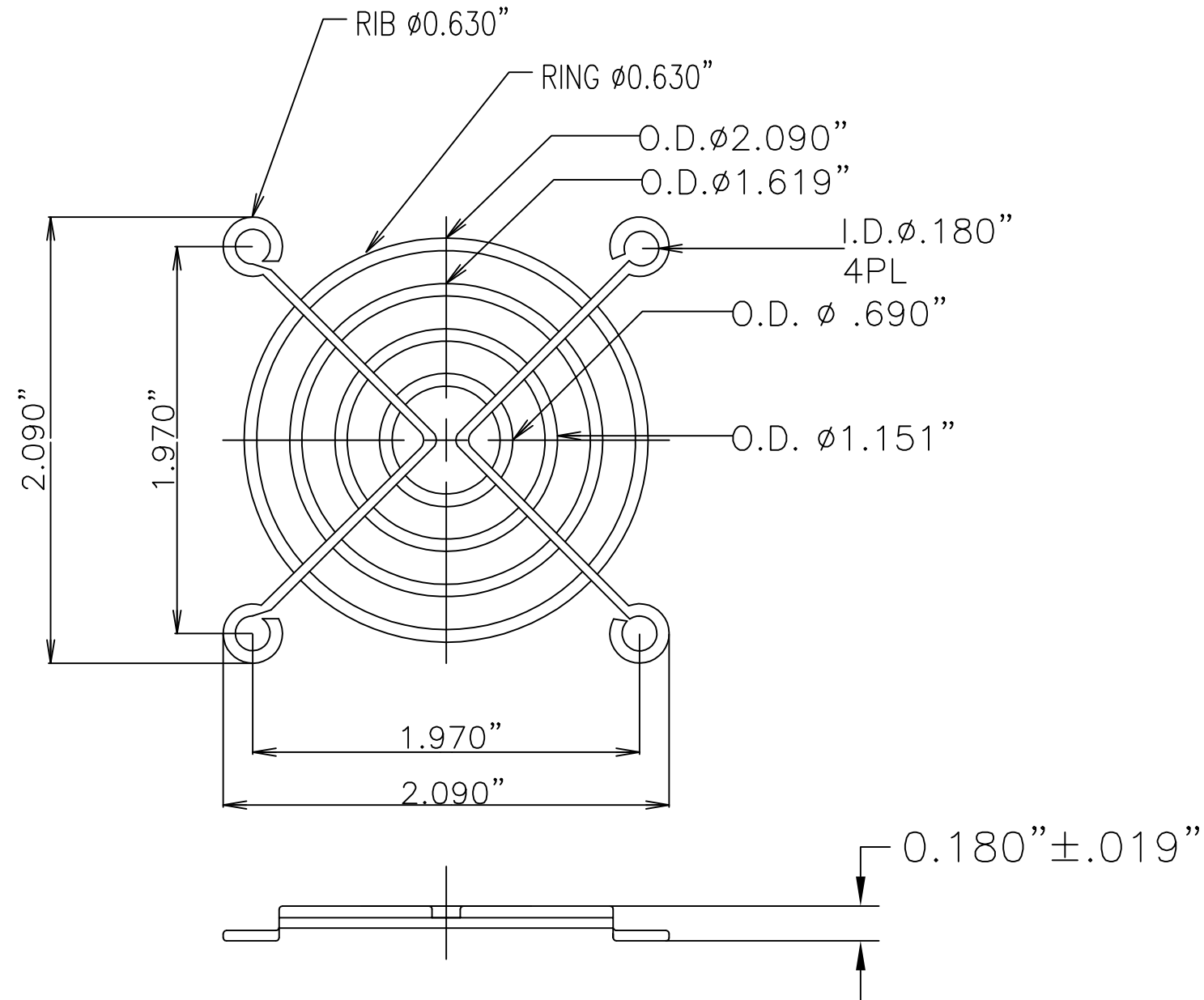


ITEM	PART NO.	DESCRIPTION	Q'TY	REV	DATE	DESCRIPTION	APPROVAL	REF.
1	KM60	60MM WIRE FORM FAN GUARD		0	08-27-04	ORIGINAL RELEASE	<i>JF</i>	
2								
3								
4								
5								



NOTES:

1. MATERIAL: SAE C1008 (OR EQUIVALENT) BRIGHT BASIC WIRE.
2. FINISH: BRIGHT NICKEL CHROME PLATING.
3. WELD JOINTS TO WITHSTAND 70LBS PULL FORCE.

UNLESS NOTED: TOLERANCES SHALL BE .X = ±.300 .XX = ±.150 .XXX = ±.075 ANGULAR = ±.2° THIS DRAWING IS THE PROPERTY OF SANYO DENKI AMERICA, INC. AND SHALL BE DEEMED AS PROPRIETARY INFORMATION. USE OF ANY INFORMATION CONTAINED HEREIN SHALL BE PROHIBITED WITHOUT WRITTEN PERMISSION OF SANYO AMERICA, INC.	REMARKS		SHOWN Q'TY	OPPOSITE Q'TY	
	THIRD ANGLE	SCALE	MATERIAL	APPROVED BY: <i>JF</i>	DRAWN BY: <i>BEV</i>
	METRIC			DATE: 08-27-04	DATE: 08-27-04
	MODEL			NAME	
SANYO DENKI AMERICA, INC. TORRANCE, CALIFORNIA, U.S.A.			60MM WIRE FORM FAN FINGER GUARD DRAWING NO. KM60 REVISED 0		

Mouser Electronics

Authorized Distributor

Click to View Pricing, Inventory, Delivery & Lifecycle Information:

[Sanyo Denki:](#)

[KM60](#)