

Signal lamps with integrated LED - 10 mm, protruding LED - 24 - 28 V
1.69.525.009/0000

General information

Form of lens	LED protruding
Color of lens	green
Diameter of collar	12.5 mm

Dimensions

Overall height	7.7 mm
Mounting depth	30.5 mm
Mounting hole	10 mm

Mechanical design

Mounting	pressing into hole
Terminals	quick connector 2.8 x 0.8 mm
Lamp socket	no
Lamp	green

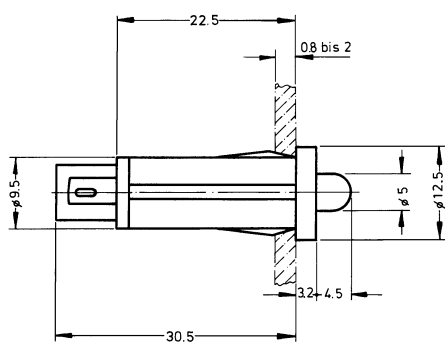
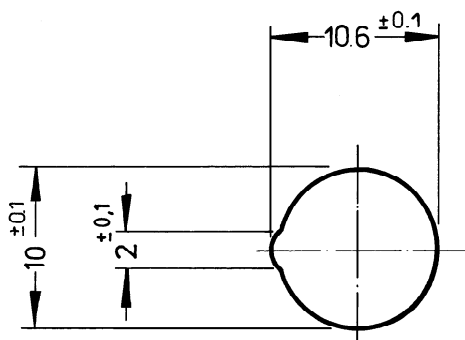
Electrical characteristics

Operating voltage U_B	24 - 28 V
Integrated currency resistor	yes
Forward voltage U_F at 25 °C	at 20 mA forward current 2.4 V
Reverse voltage U_R at 25 °C	3 V
Forward current, I_F	13 - 18.5 mA
Reverse current I_R at 25 °C	100 μ A
Power dissipation P_{tot} at 25 °C	max. 120 mW
Light intensity	1000
Protecting diode	no

Other specifications

Degree of protection from front side	IP40 (DIN EN 60529)
Weight	2.44 g
ROHS compliant	yes
REACH compliant	yes

Panel cut-out



Mouser Electronics

Authorized Distributor

Click to View Pricing, Inventory, Delivery & Lifecycle Information:

[RAFI:](#)

[1.69.525.009/0000](#)