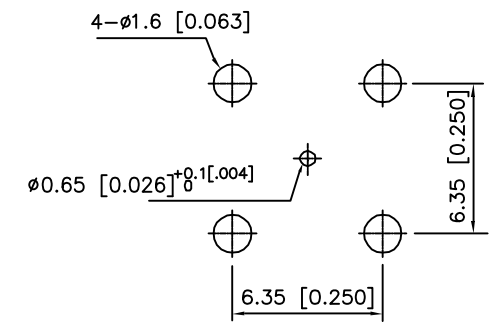
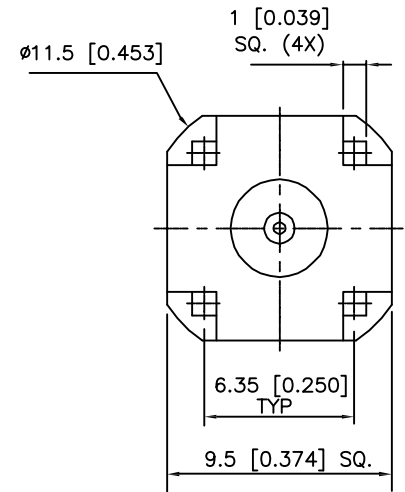
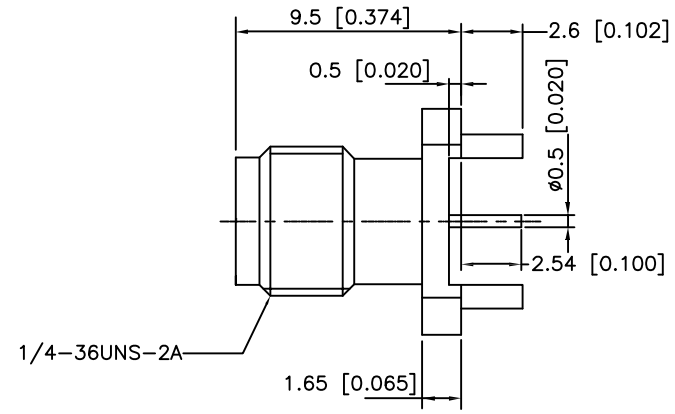
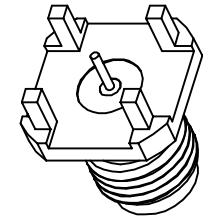


REV.	DATE	DESCRIPTION
A	07/08/09	RELEASE TO MFG.



PCB MOUNTING HOLES

The connector interface meets MIL-STD-348

ELECTRICAL CHARACTERISTICS:

- Characteristic impedance : 50Ω
- Working voltage : 335V
- Frequency range : DC-6.0GHz
- Dielectric withstanding voltage : 1000V
- Contact resistance : Center contact : ≤3mΩ
Outer contact : ≤2mΩ

- Insulation resistance : ≥5000MΩ
- High temp. Process Statement:
230°C for 30 to 60 seconds and 230°C for 10 seconds
- This component and ITS homogeneous subcomponents are RoHS compliant.

				<small>UNLESS OTHERWISE SPECIFIED DIMENSIONS ARE IN MILLIMETERS. DIMENSIONS IN [] ARE IN INCHES AND FOR CUSTOMER REFERENCE ONLY.</small> <small>UNLESS OTHERWISE SPECIFIED TOLERANCES FOR MILLIMETERS ARE:</small> 0.5 - 8mm ± 0.20mm 8 - 30mm ± 0.40mm 30 - 120mm ± 0.50mm <small>UNLESS OTHERWISE SPECIFIED TOLERANCES FOR INCHES ARE:</small> .020 - .315 = ± 0.007" .315 - 1.180 = ± 0.015" 1.180 - 4.724 = ± 0.020"	APPROVALS	DATE	<h1>Amphenol Connex</h1>		
					DRAWN CLEMENT	07/08/09			
							SMA PCB RECEPTACLE, 0.250 IN SQ FOOTPRINT		
							PART NO. 132401		
							DWG. NO. 132401.DWG		
							REV. A SIZE A SCALE NA		
3	CENTER CONTACT	BERYLLIUM COPPER	GOLD	1					
2	INSULATOR	PTFE		1					
1	BODY	BRASS	GOLD	1					
NO	DESCRIPTION	MATERIAL	FINISH	QTY	DO NOT SCALE DRAWING				

CAD FILE C:\132\132401.DWG

Mouser Electronics

Authorized Distributor

Click to View Pricing, Inventory, Delivery & Lifecycle Information:

[Amphenol:](#)

[132401](#)