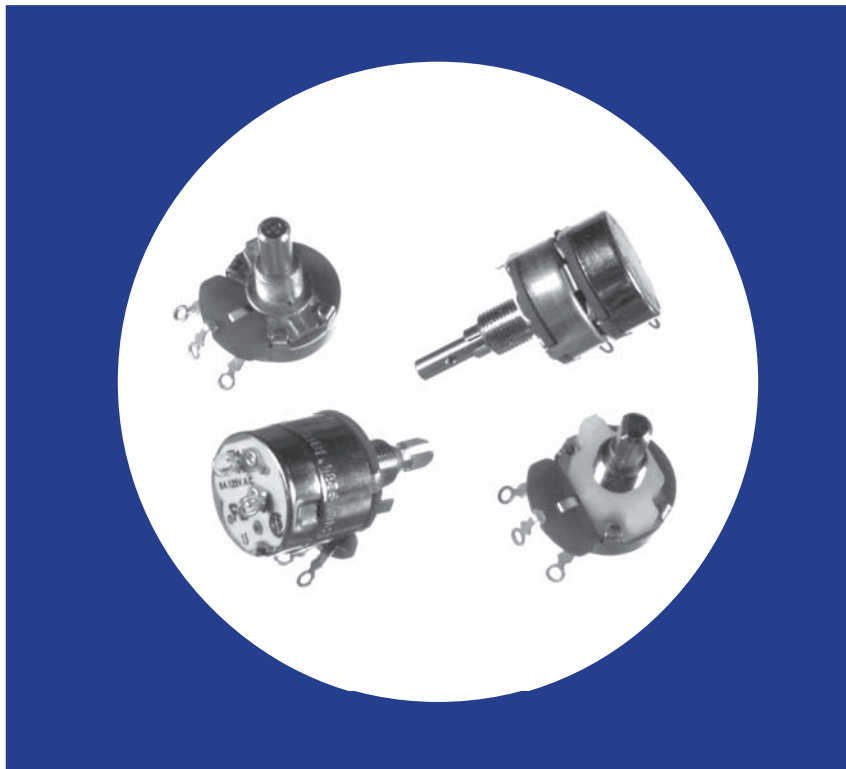


## Industrial 24mm Diameter 5 Watt, Wirewound Rotary Potentiometer

### Features

- Dust-proof construction
- Precision linearity
- 5 watt power rating
- Superior resistance stability in temperature and environment change
- Tandem constructions available
- Bushing or twist tab mounting
- Available with pull-push and rotary power switches
- RoHS compliant



## Electrical and Mechanical Specifications

### Resistance Range

Linear : 1 ohm through 25K ohms  
Audio : 20 ohms through 10K ohms

### Resistance Tolerance

±20%, ±10%, ±5%

### Power Rating

5 watts @ 25°C

### Dielectric Strength

1,000 VAC for 1 minute

### Maximum Operating Voltage

500 VDC

### Insulation Resistance

100 Megohms minimum @ 250 VDC

### Rotational Angle

Mechanical Angle: 300°±5°  
Effective Angle:  
Without switch: 280°  
With switch: 240°

### Rotational Torque

3/4 to 6 in. oz. (54 - 432 gf-cm)

### Linearity (linear curve only)

Standard: 3% linearity  
Special : 2% linearity

### Mounting Information

Bushing Mount  
Twisted Tab

### Power Switch

Rotary Switch-SPST, DPST, SPDT  
Pull-Push Switch-SPST (Pull-ON, Push-OFF)

### Rotational Life

standard : 10,000 cycles  
special : 50,000 , 100,000 cycles

### Solder Heat Resistance

Maximum 350° C for 3 sec

### Operating Temperature

-30° C to +105° C

## T026 Metal Shaft, Bushing Mounting, Type "T" Solder Lug Terminals



## X026 / Y026 Metal Shaft, Bushing Mounting, Printed Circuit Type X/Y Terminals



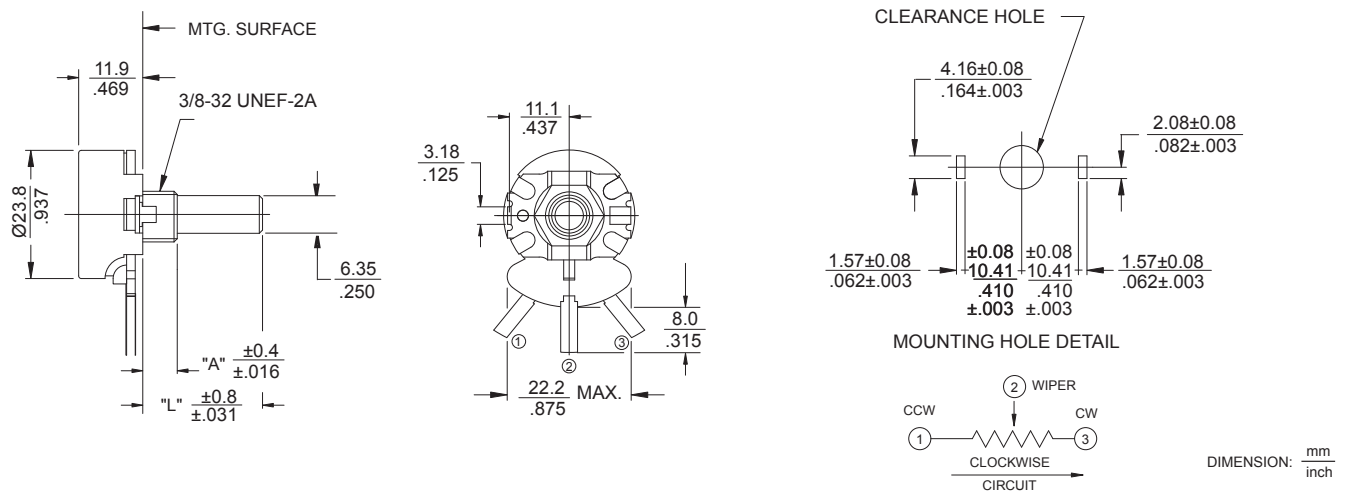
## U026 Metal Shaft, Bushing Mounting, Printed Circuit Type "U" Formed Terminals



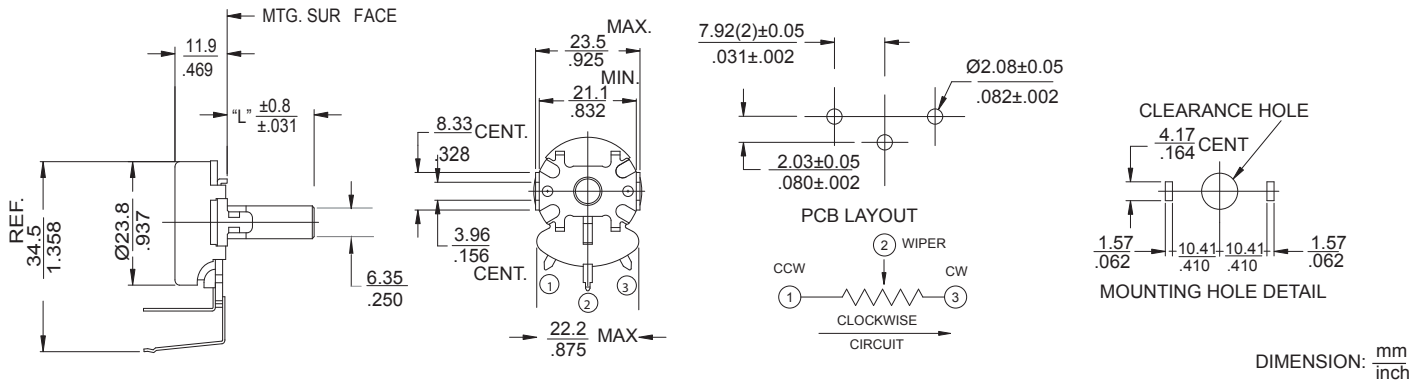
## V026 Metal Shaft, Bushing Mounting, Printed Circuit Type "V" Formed Terminals



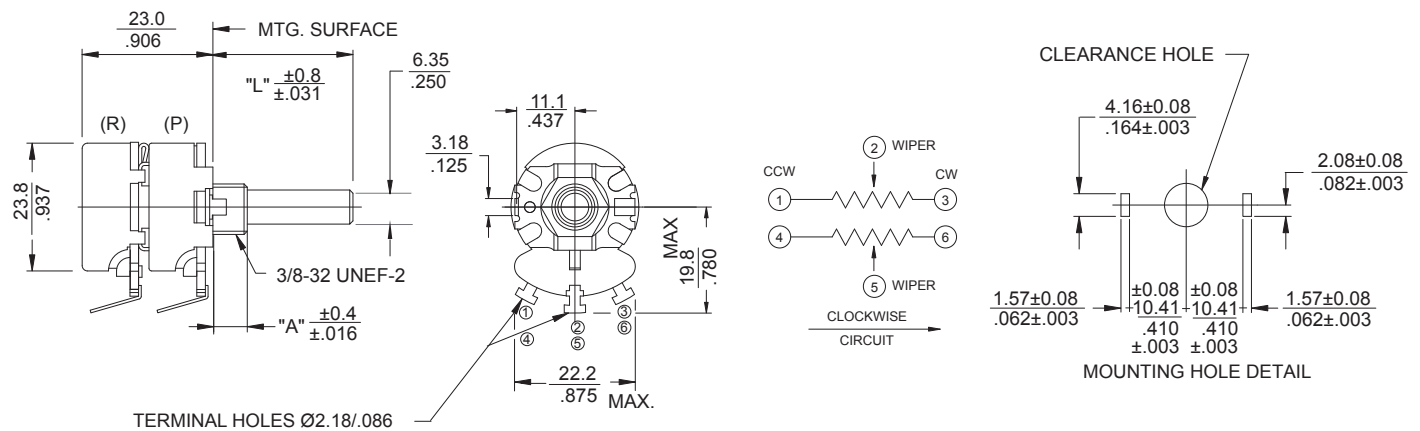
## S026 Metal Shaft, Bushing Mounting, Faston Type "S" Formed Terminals



## VPE026 Metal Shaft, Twist TAB Mounting, Type "V" Formed Terminals



## T2-026 Dual-section, Metal Shaft, Bushing Mounting, Type "T" Solder Lug Terminals



\* More multi-section models available, consult CTS for details

## Ordering Information

<b>026</b>	<b>T</b>	<b>2</b>	<b>20</b>	<b>R</b>	<b>103</b>	<b>B</b>	<b>1</b>	<b>A</b>	<b>1</b>																											
<b>TERMINAL STYLE</b> T - SOLDER LUG X - PC .687"(17.5mm) Y - PC .867"(22.0mm) U - FORMED TO FRONT V - FORMED TO REAR S - FASTON	<b>METAL MOUNTING STYLE "A"</b> <b>BUSHING LENGTH: 1/8" INCREMENTS</b> <b>EXAMPLES:</b> 2 - .250"(6.35mm) 3 - .375"(9.53mm) 8 - 1.000"(25.4mm) 1 - TWIST TAB MOUNT A - .250"(6.35mm) DIECAST B - .375"(9.53mm) DIECAST	<b>SHAFT TRIM</b> R - ROUND F - FLATTED .375"X.156" (9.53mmX4.0mm) K - KNURLED EIA S148 24 TEETH S - SD SLOT .063" DEEP X.047" WIDE (1.6mmX1.2mm)	<b>RESISTANCE CODE EXAMPLES</b> <table border="1"> <thead> <tr> <th>CODE</th> <th>RESISTANCE</th> </tr> </thead> <tbody> <tr> <td>5A0</td> <td>5 OHMS</td> </tr> <tr> <td>501</td> <td>500 OHMS</td> </tr> <tr> <td>102</td> <td>1K</td> </tr> <tr> <td>252</td> <td>2.5K</td> </tr> <tr> <td>502</td> <td>5K</td> </tr> <tr> <td>103</td> <td>10K</td> </tr> <tr> <td>253</td> <td>25K</td> </tr> </tbody> </table>	CODE	RESISTANCE	5A0	5 OHMS	501	500 OHMS	102	1K	252	2.5K	502	5K	103	10K	253	25K	<b>RESIST TOL</b> A - $\pm 10\%$ B - $\pm 20\%$ D - $\pm 5\%$	<b>TAPER</b> 1 - LINEAR 2 - 20%AUD 3 - 20%CCW AUD	<b>SPECIALS</b> 1 - LOCATING LUG LEFT SIDE 2 - LOCATING LUG RIGHT SIDE 3 - NO LOCATING LUG LOCATING 5 - LOCATING LUG BOTH SIDE														
CODE	RESISTANCE																																			
5A0	5 OHMS																																			
501	500 OHMS																																			
102	1K																																			
252	2.5K																																			
502	5K																																			
103	10K																																			
253	25K																																			
<b>METAL SHAFT LENGTH "L"</b> <b>FROM MOUNTING SURFACE 1/32" INCREMENTS</b> <b>EXAMPLES:</b> 20 - .625"(6.35mm) 24 - .750"(19.5mm) 28 - .875"(22.2mm) 32 - 1.000"(25.4mm)	<table border="1"> <thead> <tr> <th>SWITCHES</th> <th>FUNCTION</th> <th>CTS TYPE</th> <th>CURRENT RATING</th> </tr> </thead> <tbody> <tr> <td>A - NONE</td> <td></td> <td></td> <td></td> </tr> <tr> <td>B - SPST</td> <td>ROTARY</td> <td>TGC</td> <td>6AMP @ 125VAC</td> </tr> <tr> <td>C - DPST</td> <td>ROTARY</td> <td>027</td> <td>3AMP @ 125VAC 1AMP @ 250VAC</td> </tr> <tr> <td>D - SPDT</td> <td>ROTARY</td> <td>028</td> <td>3AMP @ 125VAC</td> </tr> <tr> <td>E - SPST</td> <td>PULL-PUSH</td> <td>FR-K</td> <td>3AMP @ 125VAC</td> </tr> <tr> <td>F - SPST</td> <td>ROTARY</td> <td>FR-GC</td> <td>3AMP @ 125VAC 1AMP @ 250VAC/DC</td> </tr> </tbody> </table> <p>* Refer to series 450 data sheet for power switch detail</p>								SWITCHES	FUNCTION	CTS TYPE	CURRENT RATING	A - NONE				B - SPST	ROTARY	TGC	6AMP @ 125VAC	C - DPST	ROTARY	027	3AMP @ 125VAC 1AMP @ 250VAC	D - SPDT	ROTARY	028	3AMP @ 125VAC	E - SPST	PULL-PUSH	FR-K	3AMP @ 125VAC	F - SPST	ROTARY	FR-GC	3AMP @ 125VAC 1AMP @ 250VAC/DC
SWITCHES	FUNCTION	CTS TYPE	CURRENT RATING																																	
A - NONE																																				
B - SPST	ROTARY	TGC	6AMP @ 125VAC																																	
C - DPST	ROTARY	027	3AMP @ 125VAC 1AMP @ 250VAC																																	
D - SPDT	ROTARY	028	3AMP @ 125VAC																																	
E - SPST	PULL-PUSH	FR-K	3AMP @ 125VAC																																	
F - SPST	ROTARY	FR-GC	3AMP @ 125VAC 1AMP @ 250VAC/DC																																	

# Mouser Electronics

Authorized Distributor

Click to View Pricing, Inventory, Delivery & Lifecycle Information:

## CTS:

[026TB32R100B1A1](#) [026TB32R101B1A1](#) [026TB32R102B1A1](#) [026TB32R250B1A1](#) [026TB32R251B1A1](#)  
[026TB32R253B1A1](#) [026TB32R500B1A1](#) [026TB32R501B1A1](#) [026TB32R5A0B1A1](#) [026TB32R100B1B1](#)  
[026TB32R101B1B1](#) [026TB32R102B1B1](#) [026TB32R103B1B1](#) [026TB32R250B1B1](#) [026TB32R251B1B1](#)  
[026TB32R253B1B1](#) [026TB32R500B1B1](#) [026TB32R501B1B1](#) [026TB32R502B1B1](#) [026TB32R5A0B1B1](#)  
[026T419S101A1A1](#) [026TB32R103B1A1](#) [026TB32R5A0B1A1](#) [026T220F103D1A1](#)