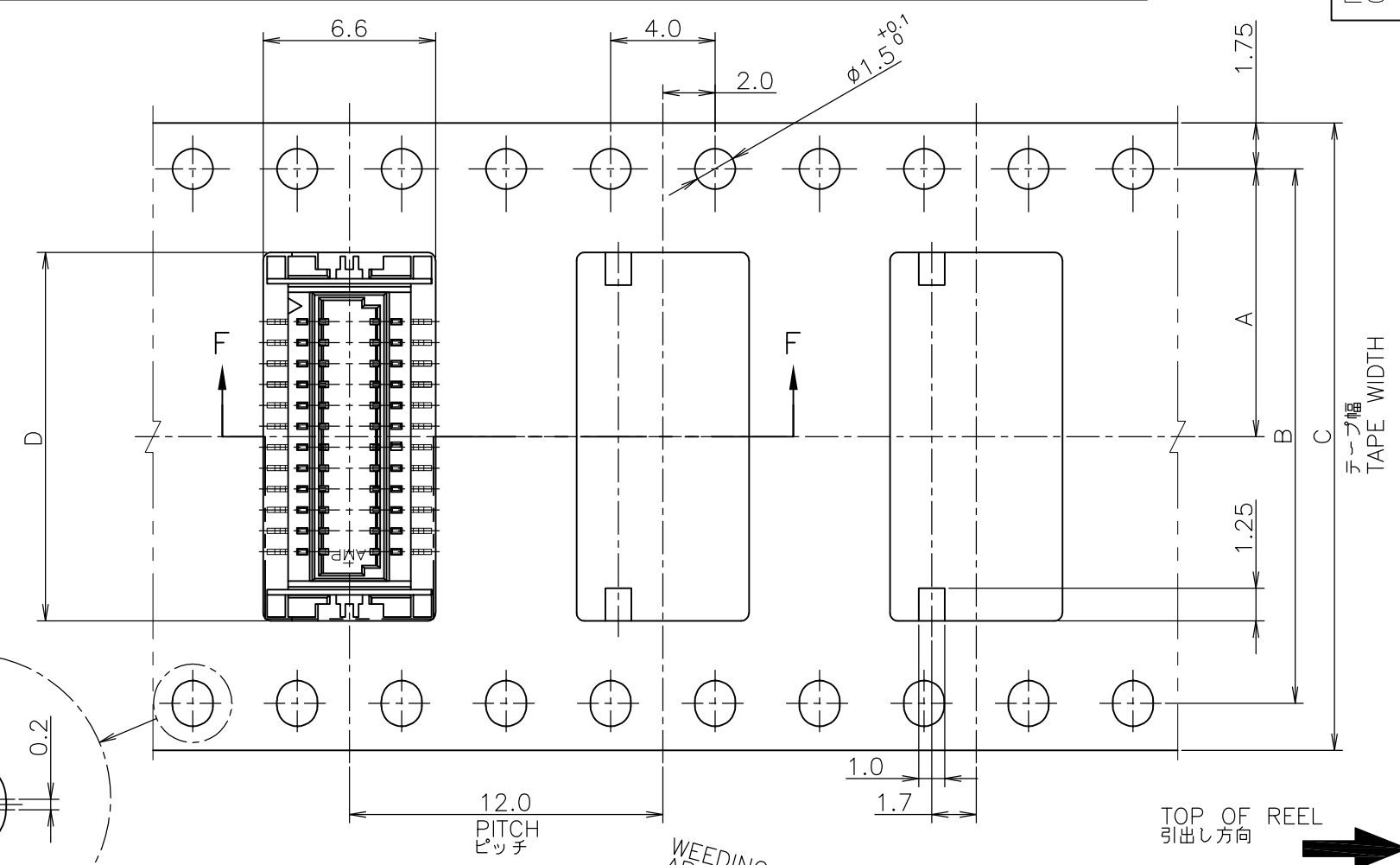


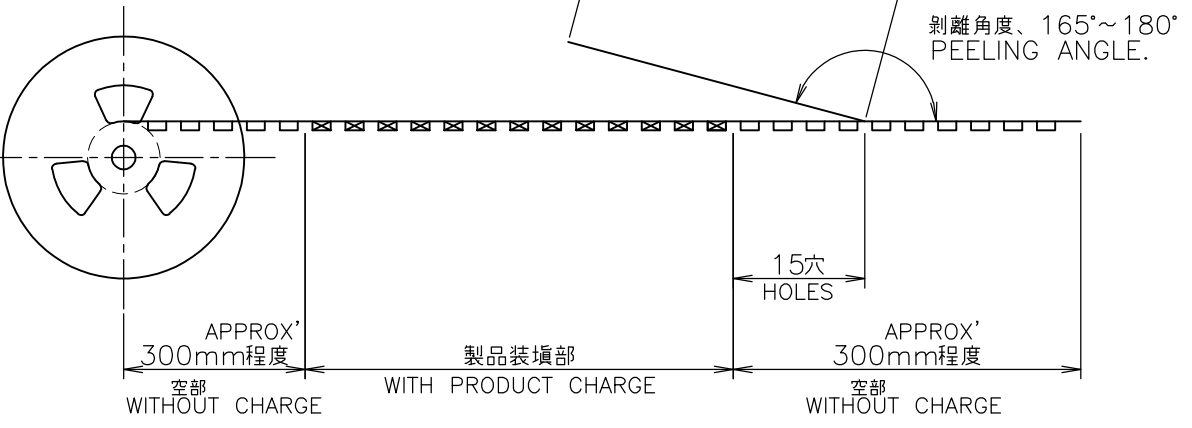
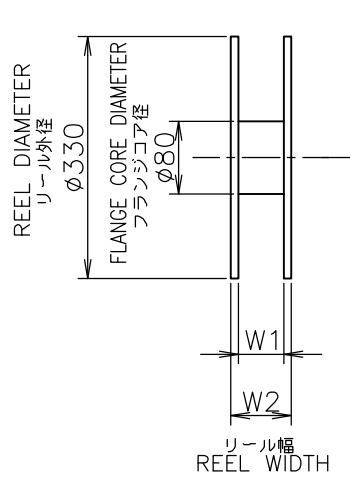
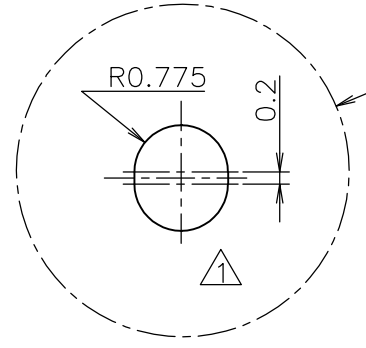
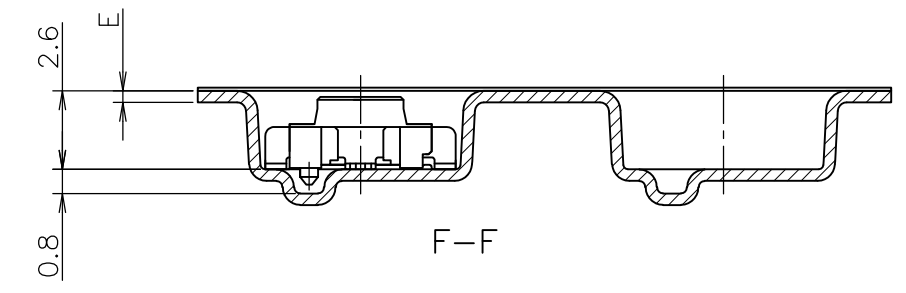
THIS DRAWING IS UNPUBLISHED. RELEASED FOR PUBLICATION FEB, 1994.
 © COPYRIGHT 1994 By - ALL RIGHTS RESERVED.

| LOC | DIST | REVISIONS 変更 | | | |
|-----|------|---------------------------|-----------|-----|------|
| P | LTR | DESCRIPTION | DATE | DWN | APVD |
| ES | | | | | |
| | L2 | REVISED PER ECO-11-005694 | 27OCT2011 | B.L | S.Y |
| | M | ECR-13-012512 | 09AUG2013 | CC | WKH |
| | M1 | ECR-13-018878 | 24DEC2013 | I.T | WKH |



AS SHOWN 24POS.

△ 指示穴は40極品以上に適用。
 △ THESE HOLES ARE APPLIED TO 40 POS OR MORE.



WEEDING THE COVER TAPE AROUND THE OUTER PERIPHERY IN A TURN.
 カバーテープリーダー部外周一卷
 剥離角度、165°~180° PEELING ANGLE.

| 色 | W2 | W1 | E | D | C | B | A | 数量 (ヶ) QTY/REEL | 極数 POS | リール巻コネクタ型番 TAPING P/N |
|------------|------|------|------|------|----|------|------|-----------------|--------|-----------------------|
| 黒 BLACK | 29.5 | 25.5 | 0.38 | 16.5 | 24 | — | 11.5 | 1500 | 30 | 3-179397-5 |
| OBSOLETE | 49.5 | 45.5 | 0.38 | 24.5 | 44 | 40.4 | 20.2 | 1500 | 50 | 5-179397-0 |
| OBSOLETE | 37.5 | 33.5 | — | 20.5 | 32 | 28.4 | 14.2 | — | 40 | 4-—-0 |
| | — | — | — | 16.5 | — | — | — | — | 30 | 3-—-0 |
| | 29.5 | 25.5 | — | 14.1 | 24 | — | 11.5 | — | 24 | 2-—-4 |
| OBSOLETE | — | — | — | 10.9 | — | — | — | — | 16 | 1-—-6 |
| OBSOLETE | 21.5 | 17.5 | 0.38 | 10.1 | — | — | — | — | 14 | 1-—-4 |
| ベージュ BEIGE | 22.4 | 16.4 | 0.4 | 9.3 | 16 | — | 7.5 | 1500 | 12 | 1-179397-2 |

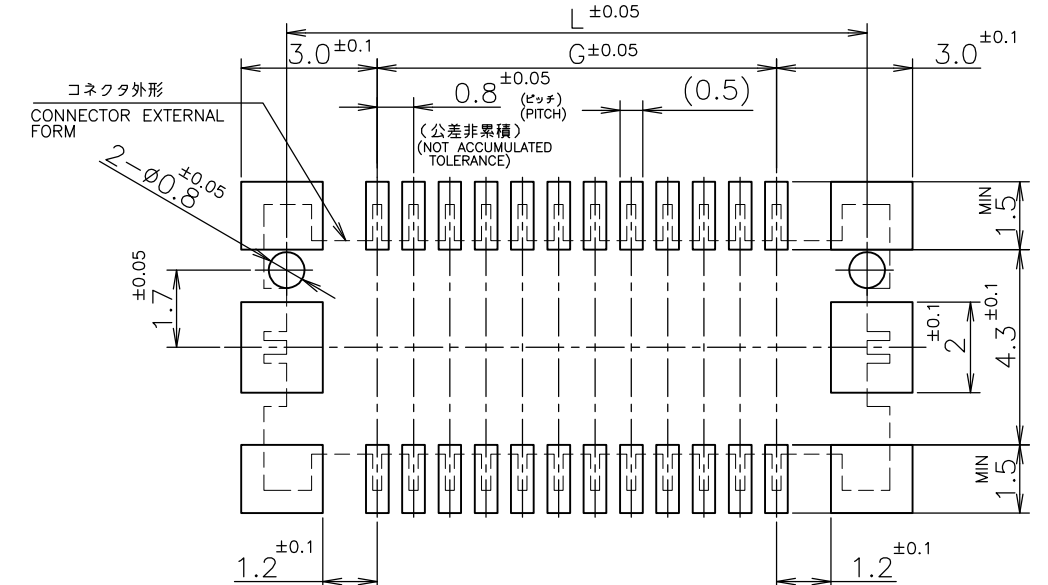
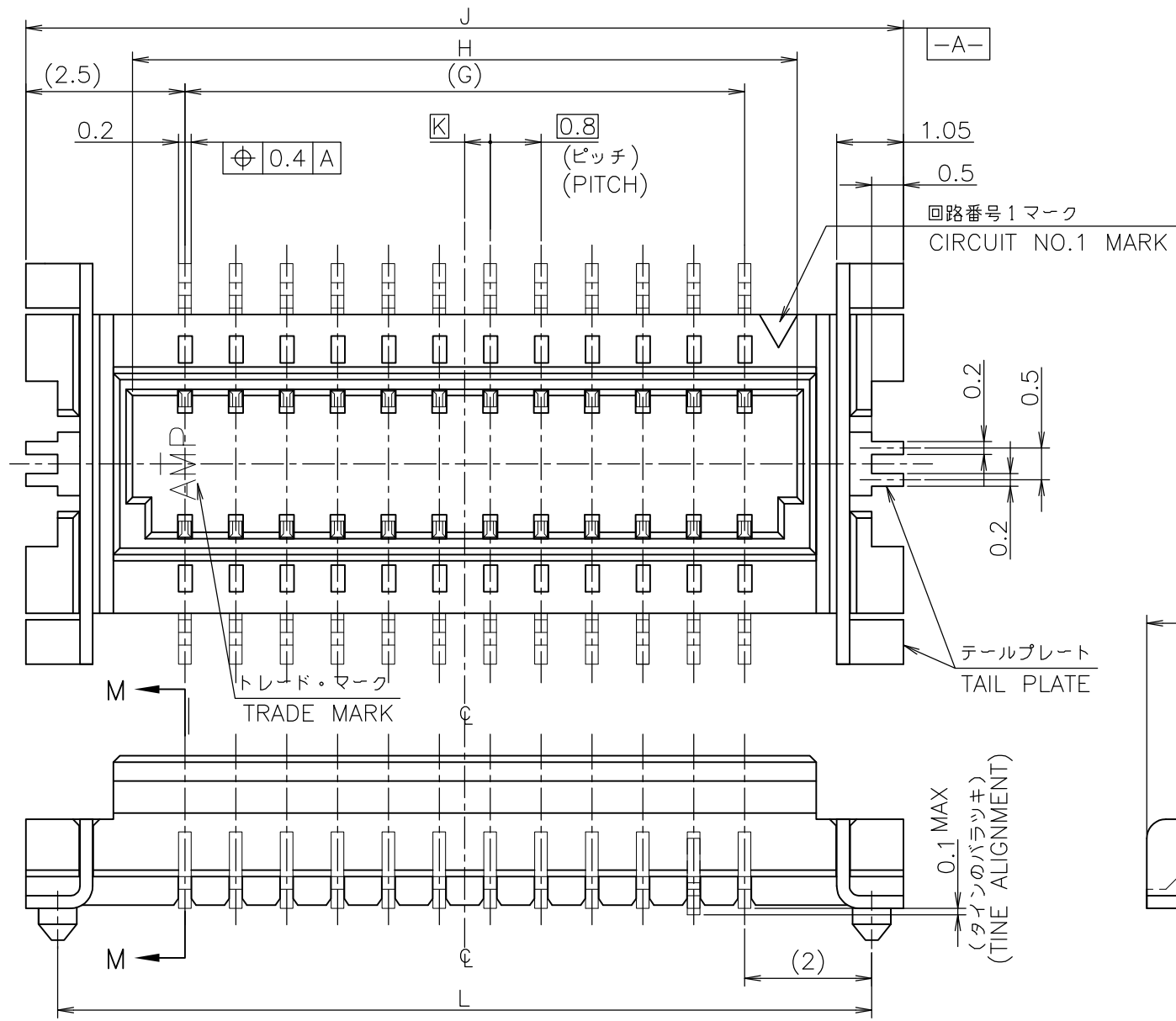
INSTRUCTION SHEET 取扱説明書 411-5654

THIS DRAWING IS A CONTROLLED DOCUMENT.

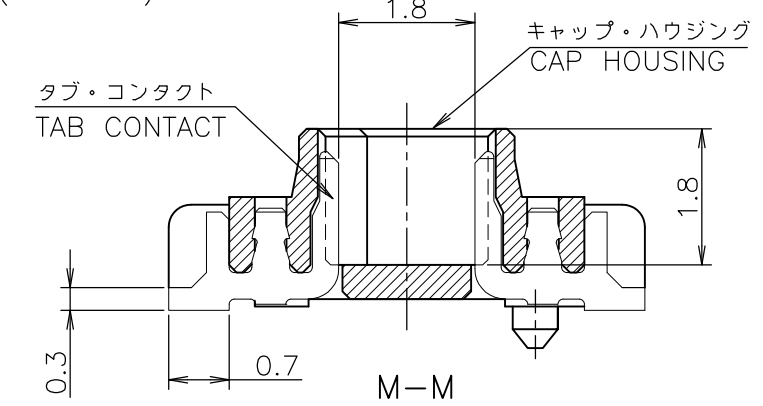
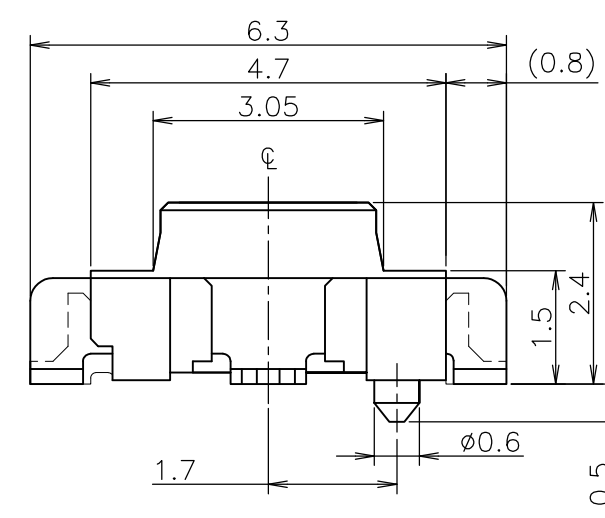
| | | | |
|----------------------|---|----------------------------|--|
| DIMENSIONS: 単位: 耗 mm | TOLERANCES UNLESS OTHERWISE SPECIFIED: 一般公差 | DWN K.ASAKAWA 24FEB94 | STE TE Connectivity |
| 0 PLC ± 0.2 | 1 PLC ± 0.2 | CHK S.KUBOUCHI 24FEB94 | |
| 2 PLC ± 0.2 | 3 PLC ± 0.2 | APVD S.KUBOUCHI 01NOV96 | ON TAPING EMBOSS CAP ASSEMBLY WITH BOSS 0.8mm PITCH BOARD TO BOARD CONNECTOR MATING HEIGHT 3.0mm |
| 4 PLC ± 0.2 | ANGLES ± 3' | NAME 名称 S.KUBOUCHI | |
| MATERIAL 材料 | FINISH 仕上 | PRODUCT SPEC 製品規格 108-5424 | SIZE A3 |
| | | APPLICATION SPEC 取付適用規格 | CAGE CODE 00779 |
| | | WEIGHT | DRAWING NO 番号 C-179397 |
| | | | RESTRICTED TO |
| | | CUSTOMER DRAWING | SCALE 尺度 4:1 |
| | | | SHEET 1 OF 2 |
| | | | REV M1 |

THIS DRAWING IS UNPUBLISHED. RELEASED FOR PUBLICATION FEB, 1994.
 © COPYRIGHT 1994 By - ALL RIGHTS RESERVED.

| LOC | DIST | REVISIONS | | | DATE | DWN | APVD |
|-----|------|-----------|-----|-------------|------|-----|------|
| | | P | LTR | DESCRIPTION | | | |
| ES | | - | - | SEE SHEET 1 | - | - | - |



参考基板加工寸法 (t=0.6 MIN.)
 REFERENCE P.C. BOARD LAYOUT
 (SCALE 6:1)



| | | | | | | |
|-----------------|------|------|------|------|------|-----------|
| 0.241 | 15.2 | —//— | 16.2 | 12.8 | 11.2 | 30 |
| 0.361 | 23.2 | —//— | 24.2 | 20.8 | 19.2 | 50 |
| 0.301 | 19.2 | 0.4 | 20.2 | 16.8 | 15.2 | 40 |
| 0.241 | 15.2 | —//— | 16.2 | 12.8 | 11.2 | 30 |
| 0.205 | 12.8 | 0.4 | 13.8 | 10.4 | 8.8 | 24 |
| 0.157 | 9.6 | 0.4 | 10.6 | 7.2 | 5.6 | 16 |
| 0.145 | 8.8 | —//— | 9.8 | 6.4 | 4.8 | 14 |
| 0.133 | 8.0 | 0.4 | 9.0 | 5.6 | 4.0 | 12 |
| 重量(g) WEIGHT | L | K | J | H | G | 極数 POS |

△ 材料: ハウジング - 6T NYLON (高耐熱性ナイロン)
 ガラス30%, 色: ベージュ
 コンタクト - 燐青銅・錫めっき(0.2t)
 テールプレート - 燐青銅・錫めっき(0.2t)

△ MATERIAL: HOUSING - 6T NYLON (HIGH HEAT-RESISTED NYLON), GF30%,
 COLOR: BEIGE.
 CONTACT - POST-TIN/PHOS-BROZ(0.2t)
 TAIL PLATE - POST-TIN/PHOS-BROZ(0.2t)

THIS DRAWING IS A CONTROLLED DOCUMENT.

| | | | |
|-----------------------------------|---|----------------------------|--|
| DIMENSIONS: 単位: 耗 mm | TOLERANCES UNLESS OTHERWISE SPECIFIED: 一般公差 | DWN | TE Connectivity |
| | 0 PLC ± 0.2 | CHK | |
| | 1 PLC ± 0.2 | APVD | |
| | 2 PLC ± 0.2 | PRODUCT SPEC 製品規格 | |
| MATERIAL 材料 SEE NOTE ② 注②参照 | 3 PLC ± 0.2 | APPLICATION SPEC 取付適用規格 | NAME 名称 |
| | 4 PLC ± 0.2 | WEIGHT | ON TAPING EMBOSS CAP ASSEMBLY WITH BOSS 0.8mm PITCH BOARD TO BOARD CONNECTOR MATING HEIGHT 3.0mm |
| FINISH 仕上 SEE NOTE ② 注②参照 | ANGLES ± 3' | CUSTOMER DRAWING | SIZE |
| | | | CAGE CODE |
| | | | DRAWING NO |
| | | | RESTRICTED TO |
| | | | SCALE 尺度 10:1 |
| | | | SHEET 2 OF 2 |
| | | | REV M1 |

Mouser Electronics

Authorized Distributor

Click to View Pricing, Inventory, Delivery & Lifecycle Information:

[TE Connectivity:](#)

[1-179397-2](#)