

# DLP5500 DLP® 0.55 XGA Series 450 DMD

## 1 Features

- 0.55-Inch Micromirror Array Diagonal
  - 1024 × 768 Array of Aluminum, Micrometer-Sized Mirrors (XGA Resolution)
  - 10.8-µm Micromirror Pitch
  - ±12° Micromirror Tilt Angle (Relative to Flat State)
  - Designed for Corner Illumination
- Designed for Use With Broadband Visible Light (420 nm – 700 nm):
  - Window Transmission 97% (Single Pass, Through Two Window Surfaces)
  - Micromirror Reflectivity 88%
  - Array Diffraction Efficiency 86%
  - Array Fill Factor 92%
- 16-Bit, Low Voltage Differential Signaling (LVDS) Double Data Rate (DDR) Input Data Bus
- 200 MHz Input Data Clock Rate
- Dedicated DLPC200 Controller for High-Speed Pattern Rates:
  - 5,000 Hz (1-Bit Binary Patterns)
  - 500 Hz (8-Bit Grayscale Patterns)
- Series 450 Package Characteristics:
  - Thermal Area 18 mm × 12 mm Enabling High on Screen Lumens (>2000 lm)
  - 149 Micro Pin Grid Array Robust Electrical Connection
  - Package Mates to Amphenol InterCon Systems 450-2.700-L-13.25-149 Socket

## 2 Applications

- Industrial
  - 3D Scanners for Machine Vision and Quality Control
  - 3D Printing
  - Direct Imaging Lithography
  - Laser Marking and Repair
  - Industrial and Medical Imaging
  - Medical Instrumentation
  - Digital Exposure Systems
- Medical
  - Ophthalmology
  - 3D Scanners for Limb and Skin Measurement
  - Hyperspectral Imaging
- Displays
  - 3D Imaging Microscopes
  - Intelligent and Adaptive Lighting

## 3 Description

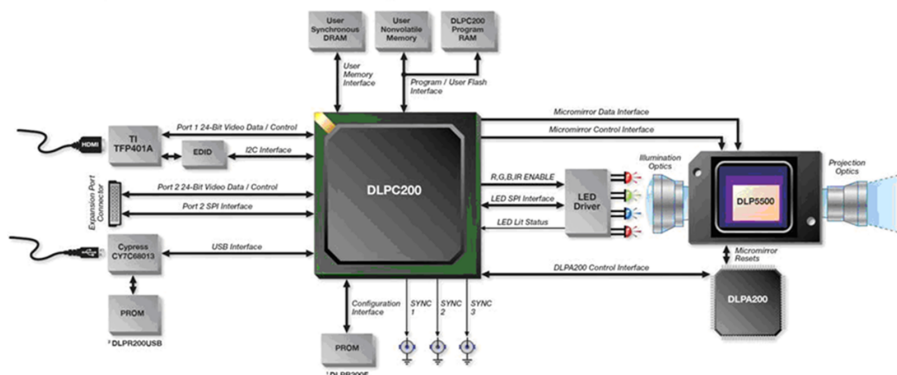
Featuring over 750000 micromirrors, the high resolution DLP5500 (0.55" XGA) digital micromirror device (DMD) is a spatial light modulator (SLM) that modulates the amplitude, direction, and/or phase of incoming light. This advanced light control technology has numerous applications in the industrial, medical, and consumer markets. The DLP5500 enables fine resolution for 3D printing applications.

### Device Information<sup>(1)</sup>

PART NUMBER	PACKAGE	BODY SIZE (NOM)
DLP5500	CPGA (149)	22.30 mm × 32.20 mm

(1) For all available packages, see the orderable addendum at the end of the data sheet.

## 4 Typical Application Schematic



An IMPORTANT NOTICE at the end of this data sheet addresses availability, warranty, changes, use in safety-critical applications, intellectual property matters and other important disclaimers. PRODUCTION DATA.

## Table of Contents

<b>1 Features</b> .....	<b>1</b>	9.3 Feature Description .....	<b>21</b>
<b>2 Applications</b> .....	<b>1</b>	9.4 Device Functional Modes .....	<b>24</b>
<b>3 Description</b> .....	<b>1</b>	9.5 Window Characteristics and Optics .....	<b>24</b>
<b>4 Typical Application Schematic</b> .....	<b>1</b>	9.6 Micromirror Array Temperature Calculation .....	<b>25</b>
<b>5 Revision History</b> .....	<b>2</b>	9.7 Micromirror Landed-on/Landed-Off Duty Cycle .....	<b>27</b>
<b>6 Description (continued)</b> .....	<b>4</b>	<b>10 Application and Implementation</b> .....	<b>29</b>
<b>7 Pin Configuration and Functions</b> .....	<b>4</b>	10.1 Application Information .....	<b>29</b>
<b>8 Specifications</b> .....	<b>7</b>	10.2 Typical Application .....	<b>30</b>
8.1 Absolute Maximum Ratings .....	<b>7</b>	<b>11 Power Supply Recommendations</b> .....	<b>32</b>
8.2 Storage Conditions .....	<b>7</b>	11.1 DMD Power-Up and Power-Down Procedures .....	<b>32</b>
8.3 ESD Ratings .....	<b>7</b>	<b>12 Layout</b> .....	<b>32</b>
8.4 Recommended Operating Conditions .....	<b>8</b>	12.1 Layout Guidelines .....	<b>32</b>
8.5 Thermal Information .....	<b>10</b>	12.2 Layout Example .....	<b>33</b>
8.6 Electrical Characteristics .....	<b>10</b>	<b>13 Device and Documentation Support</b> .....	<b>34</b>
8.7 Timing Requirements .....	<b>11</b>	13.1 Device Support .....	<b>34</b>
8.8 System Mounting Interface Loads .....	<b>15</b>	13.2 Documentation Support .....	<b>34</b>
8.9 Micromirror Array Physical Characteristics .....	<b>16</b>	13.3 Related Documentation .....	<b>34</b>
8.10 Micromirror Array Optical Characteristics .....	<b>17</b>	13.4 Community Resources .....	<b>34</b>
8.11 Window Characteristics .....	<b>18</b>	13.5 Trademarks .....	<b>35</b>
8.12 Chipset Component Usage Specification .....	<b>18</b>	13.6 Electrostatic Discharge Caution .....	<b>35</b>
<b>9 Detailed Description</b> .....	<b>19</b>	13.7 Glossary .....	<b>35</b>
9.1 Overview .....	<b>19</b>	<b>14 Mechanical, Packaging, and Orderable Information</b> .....	<b>35</b>
9.2 Functional Block Diagram .....	<b>20</b>		

## 5 Revision History

Changes from Revision F (May 2015) to Revision G	Page
• Changed DMD Marking Image Object for <a href="#">Figure 19</a> .....	<b>34</b>

Changes from Revision E (September 2013) to Revision F	Page
• Added <i>ESD Ratings</i> , <i>Feature Description</i> section, <i>Device Functional Modes</i> , <i>Application and Implementation</i> section, <i>Power Supply Recommendations</i> section, <i>Layout</i> section, <i>Device and Documentation Support</i> section, and <i>Mechanical, Packaging, and Orderable Information</i> section .....	<b>1</b>
• Changed Incorrect $V_{CC2}$ value from 9V to 8V .....	<b>7</b>
• Changed LVDS $f_{clock}$ to 200 MHz - previously incorrectly listed as 150 MHz .....	<b>9</b>
• Added Max Recommended DMD Temperature – Derating Curve .....	<b>9</b>
• Added LVCMOS Output Measurement Condition Figure .....	<b>10</b>
• Changed Incorrect $t_C$ value from 4 ns to 5 ns (200 MHz clock) .....	<b>11</b>
• Changed Incorrect $t_W$ value from 1.25 ns to 2.5 ns (200 MHz clock) .....	<b>11</b>
• Changed SCP Bus Diagrams .....	<b>11</b>
• Added LVDS Voltage Definition Figure .....	<b>12</b>
• Changed LVDS Waveform Requirements Figure .....	<b>13</b>
• Added LVDS Equivalent Input Circuit Figure .....	<b>13</b>
• Added LVDS & SCP Rise and Fall Time Figures .....	<b>14</b>
• Moved the <i>Mechanical</i> section from <i>Recommended Operating Conditions</i> table to the <i>System Mounting Interface Loads</i> section .....	<b>15</b>
• Added <i>Micromirror Array Physical Characteristics</i> section .....	<b>16</b>
• Changed Micromirror Array Physical Characteristics Figure to generic image (M x N) .....	<b>16</b>

• Added <i>Micromirror Array Optical Characteristics</i> section .....	17
• Changed specular reflectivity wavelength range to 420 - 700 nm (from 400 - 700 nm) to match Recommended Operating Conditions .....	17
• Changed Micromirror Landed Orientation and Tilt Figure to generic image (M x N) .....	18
• Added <i>Window Characteristics</i> section .....	18
• Added <i>Chipset Component Usage Specification</i> section .....	18
• Changed Micromirror Array, Pitch, Hinge Axis Orientation Figure to generic image (M x N) .....	22
• Changed Micromirror States: On, Off, Flat Figure to generic DMD image .....	23
• Changed Test Point locations from TC1 & TC2 to TP1 - TP5 .....	25
• Changed Test Point location Diagram to show TP1 - TP5.....	26
• Added <i>Micromirror Landed-on/Landed-Off Duty Cycle</i> section .....	27
• Changed Typical Application diagram .....	30
• Replaced "DAD" with "DLPA200" .....	31

---

<b>Changes from Revision D (October 2012) to Revision E</b>	<b>Page</b>
---	-------------

• Deleted the Device Part Number Nomenclature section .....	34
---	----

---

<b>Changes from Revision C (June 2012) to Revision D</b>	<b>Page</b>
--	-------------

• Changed the Device Part Number Nomenclature From: DLP5500FYA To: DLP5500AFYA.....	34
• Updated Mechanical ICD to V2 with a minor change in the window height.....	34

---

<b>Changes from Revision B (September 2011) to Revision C</b>	<b>Page</b>
---	-------------

• Added the Package Footprint and Socket information in the Features list .....	1
• Deleted redundant information from the Description.....	1
• Changed the Illumination power density Max value of <420 mm From: 20 To: 2 mW/cm <sup>2</sup> .....	7
• Changed Storage temperature range and humidity values in Absolute Maximum Ratings .....	7
• Added Operating Case Temperature, Operating Humidity, Operating Device Temperature Gradient and Operating Landed Duty-Cycle to RECOMMENDED OPERATING CONDITIONS. ....	8
• Added Mirror metal specular reflectivity and Illumination overfill values to "Micromirror Array Optical Characteristics" table .....	17
• Corrected the C <sub>L2W</sub> , Q <sub>array</sub> and T <sub>array</sub> values in Micromirror Array Temperature Calculation for Uniform Illumination. ....	26
• Corrected the document reference in Related Documents section.....	34

---

<b>Changes from Revision A (June 2010) to Revision B</b>	<b>Page</b>
--	-------------

• Changed the window refractive index NOM spec From: 1.5090 To: 1.5119 .....	17
• Added table note "At a wavelength of 632.8 nm" .....	17

---

<b>Changes from Original (April 2010) to Revision A</b>	<b>Page</b>
---	-------------

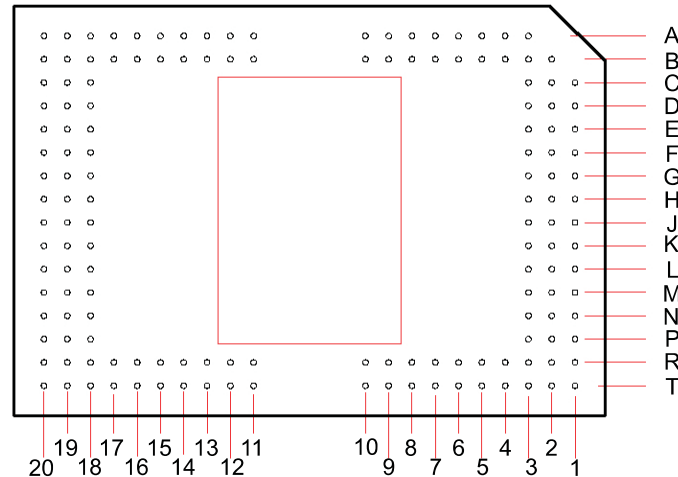
• Changed V <sub>REF</sub> to V <sub>CC1</sub> .....	7
• Added  V <sub>ID</sub>   to the absolute max table .....	7
• Added V <sub>MBRST</sub> to the absolute max table .....	7
• Clarified Note6 measurement point .....	7
• Changed the Illumination power density Max value of <420 mm From: 2 To: 20 mW/cm <sup>2</sup> .....	7
• Added Additional Related Documents.....	34

## 6 Description (continued)

The XGA resolution has the direct benefit of scanning large objects for 3D machine vision applications. Reliable function and operation of the DLP5500 requires that it be used in conjunction with the DLPC200 digital controller and the DLPA200 analog driver. This dedicated chipset provides a robust, high resolution XGA, and high speed system solution.

## 7 Pin Configuration and Functions

**FYA Package  
149-Pin CPGA Series 450  
Bottom View**



**Pin Functions**

PIN <sup>(1)</sup>		TYPE (I/O/P )	SIGNAL	DATA RATE <sup>(2)</sup>	INTERNAL TERM <sup>(3)</sup>	CLOCK	DESCRIPTION	TRACE (mils) <sup>(4)</sup>
NAME	NO.							
<b>DATA INPUTS</b>								
D_AN1	G20	Input	LVC MOS	DDR	Differential	DCLK_A	Input data bus A (LVDS)	715
D_AP1	H20	Input	LVC MOS	DDR	Differential	DCLK_A		744
D_AN3	H19	Input	LVC MOS	DDR	Differential	DCLK_A		688
D_AP3	G19	Input	LVC MOS	DDR	Differential	DCLK_A		703
D_AN5	F18	Input	LVC MOS	DDR	Differential	DCLK_A		686
D_AP5	G18	Input	LVC MOS	DDR	Differential	DCLK_A		714
D_AN7	E18	Input	LVC MOS	DDR	Differential	DCLK_A		689
D_AP7	D18	Input	LVC MOS	DDR	Differential	DCLK_A		705
D_AN9	C20	Input	LVC MOS	DDR	Differential	DCLK_A		687
D_AP9	D20	Input	LVC MOS	DDR	Differential	DCLK_A		715
D_AN11	B18	Input	LVC MOS	DDR	Differential	DCLK_A		715
D_AP11	A18	Input	LVC MOS	DDR	Differential	DCLK_A		732
D_AN13	A20	Input	LVC MOS	DDR	Differential	DCLK_A		686
D_AP13	B20	Input	LVC MOS	DDR	Differential	DCLK_A		715
D_AN15	B19	Input	LVC MOS	DDR	Differential	DCLK_A		700
D_AP15	A19	Input	LVC MOS	DDR	Differential	DCLK_A	719	

(1) The following power supplies are required to operate the DMD: VCC, VCCI, VCC2. VSS must also be connected.  
 (2) DDR = Double Data Rate. SDR = Single Data Rate. Refer to the [Timing Requirements](#) for specifications and relationships.  
 (3) Refer to [Electrical Characteristics](#) for differential termination specification.  
 (4) Internal Trace Length (mils) refers to the Package electrical trace length. See the [DLP® 0.55 XGA Chip-Set Data Manual \(DLPZ004\)](#) for details regarding signal integrity considerations for end-equipment designs.

**Pin Functions (continued)**

PIN <sup>(1)</sup>		TYPE (I/O/P)	SIGNAL	DATA RATE <sup>(2)</sup>	INTERNAL TERM <sup>(3)</sup>	CLOCK	DESCRIPTION	TRACE (mils) <sup>(4)</sup>
NAME	NO.							
D_BN1	K20	Input	LVC MOS	DDR	Differential	DCLK_B	Input data bus B (LVDS)	716
D_BP1	J20	Input	LVC MOS	DDR	Differential	DCLK_B		745
D_BN3	J19	Input	LVC MOS	DDR	Differential	DCLK_B		686
D_BP3	K19	Input	LVC MOS	DDR	Differential	DCLK_B		703
D_BN5	L18	Input	LVC MOS	DDR	Differential	DCLK_B		686
D_BP5	K18	Input	LVC MOS	DDR	Differential	DCLK_B		714
D_BN7	M18	Input	LVC MOS	DDR	Differential	DCLK_B		693
D_BP7	N18	Input	LVC MOS	DDR	Differential	DCLK_B		709
D_BN9	P20	Input	LVC MOS	DDR	Differential	DCLK_B		687
D_BP9	N20	Input	LVC MOS	DDR	Differential	DCLK_B		715
D_BN11	R18	Input	LVC MOS	DDR	Differential	DCLK_B		702
D_BP11	T18	Input	LVC MOS	DDR	Differential	DCLK_B		719
D_BN13	T20	Input	LVC MOS	DDR	Differential	DCLK_B		686
D_BP13	R20	Input	LVC MOS	DDR	Differential	DCLK_B		715
D_BN15	R19	Input	LVC MOS	DDR	Differential	DCLK_B		680
D_BP15	T19	Input	LVC MOS	DDR	Differential	DCLK_B	700	
DCLK_AN	D19	Input	LVC MOS	-	Differential	-	Input data bus A Clock (LVDS)	700
DCLK_AP	E19	Input	LVC MOS	-	Differential	-		728
DCLK_BN	N19	Input	LVC MOS	-	Differential	-	Input data bus B Clock (LVDS)	700
DCLK_BP	M19	Input	LVC MOS	-	Differential	-		728
<b>DATA CONTROL INPUTS</b>								
SCTRL_AN	F20	Input	LVC MOS	DDR	Differential	DCLK_A	Data Control (LVDS)	716
SCTRL_AP	E20	Input	LVC MOS	DDR	Differential	DCLK_A		731
SCTRL_BN	L20	Input	LVC MOS	DDR	Differential	DCLK_B		707
SCTRL_BP	M20	Input	LVC MOS	DDR	Differential	DCLK_B		722
<b>SERIAL COMMUNICATION (SCP) AND CONFIGURATION</b>								
SCP_CLK	A8	Input	LVC MOS	-	Pull-Down	-		-
SCP_DO	A9	Output	LVC MOS	-	-	SCP_CLK		-
SCP_DI	A5	Input	LVC MOS	-	Pull-Down	SCP_CLK		-
SCP_EN	B7	Input	LVC MOS	-	Pull-Down	SCP_CLK		-
PWRDN	B9	Input	LVC MOS	-	Pull-Down	-		-
<b>MICROMIRROR BIAS CLOCKING PULSE</b>								
MODE_A	A4	Input	LVC MOS	-	Pull-Down	-		-
MBRST0	C3	Input	Analog	-	-	-	Micromirror Bias Clocking Pulse "MBRST" signals "clock" micromirrors into state of LVC MOS memory cell associated with each mirror.	-
MBRST1	D2	Input	Analog	-	-	-		-
MBRST2	D3	Input	Analog	-	-	-		-
MBRST3	E2	Input	Analog	-	-	-		-
MBRST4	G3	Input	Analog	-	-	-		-
MBRST5	E1	Input	Analog	-	-	-		-
MBRST6	G2	Input	Analog	-	-	-		-
MBRST7	G1	Input	Analog	-	-	-		-
MBRST8	N3	Input	Analog	-	-	-		-
MBRST9	M2	Input	Analog	-	-	-		-
MBRST10	M3	Input	Analog	-	-	-		-
MBRST11	L2	Input	Analog	-	-	-		-
MBRST12	J3	Input	Analog	-	-	-		-
MBRST13	L1	Input	Analog	-	-	-		-
MBRST14	J2	Input	Analog	-	-	-		-
MBRST15	J1	Input	Analog	-	-	-	-	

**Pin Functions (continued)**

PIN <sup>(1)</sup>		TYPE (I/O/P )	SIGNAL	DATA RATE <sup>(2)</sup>	INTERNAL TERM <sup>(3)</sup>	CLOCK	DESCRIPTION	TRACE (mils) <sup>(4)</sup>
NAME	NO.							
<b>POWER</b>								
V <sub>CC</sub>	B11,B12,B13,B16,R12,R13,R16,R17	Power	Analog	–	–	–	Power for LVCMOS Logic	–
V <sub>CC1</sub>	A12,A14,A16,T12,T14,T16	Power	Analog	–	–	–	Power supply for LVDS Interface	–
V <sub>CC2</sub>	C1,D1,M1,N1	Power	Analog	–	–	–	Power for High Voltage CMOS Logic	–
V <sub>SS</sub>	A6,A11,A13,A15,A17,B4,B5,B8,B14,B15,B17,C2,C18,C19,F1,F2,F19,H1,H2,H3,H18,J18,K1,K2,L19,N2,P18,P19,R4,R9,R14,R15,T7,T13,T15,T17	Power	Analog	–	–	–	Common return for all power inputs	–
<b>RESERVED SIGNALS (Not for use in system)</b>								
RESERVED_R7	R7	Input	LVC MOS	–	Pull-Down	–	Pins should be connected to V <sub>SS</sub>	–
RESERVED_R8	R8	Input	LVC MOS	–	Pull-Down	–		–
RESERVED_T8	T8	Input	LVC MOS	–	Pull-Down	–		–
RESERVED_B6	B6	Input	LVC MOS	–	Pull-Down	–		–
NO_CONNECT	A3, A7, A10, B2, B3, B10, E3, F3, K3, L3, P1, P2, P3, R1, R2, R3, R5, R6, R10, R11, T1, T2, T3, T4, T5, T6, T9, T10, T11	–	–	–	–	–	DO NOT CONNECT	–

## 8 Specifications

### 8.1 Absolute Maximum Ratings

over operating free-air temperature range (unless otherwise noted)<sup>(1)</sup>

		MIN	MAX	UNIT
<b>ELECTRICAL</b>				
V <sub>CC</sub>	Voltage applied to V <sub>CC</sub> <sup>(2)(3)</sup>	-0.5	4	V
V <sub>CCI</sub>	Voltage applied to V <sub>CCI</sub> <sup>(2)(3)</sup>	-0.5	4	V
	Delta supply voltage  V <sub>CC</sub> - V <sub>CCI</sub>   <sup>(4)</sup>		0.3	V
V <sub>ID</sub>	Maximum differential voltage, Damage can occur to internal resistor if exceeded, See <a href="#">Figure 6</a>		700	mV
V <sub>CC2</sub>	Voltage applied to V <sub>OFFSET</sub> <sup>(2)(3)(4)</sup>	-0.5	8	V
V <sub>MBRST</sub>	Voltage applied to MBRST[0:15] Input Pins	-28	28	V
	Voltage applied to all other pins <sup>(2)</sup>	-0.5	V <sub>CC</sub> + 0.3	V
I <sub>OH</sub>	Current required from a high-level output V <sub>OH</sub> = 2.4 V		-20	mA
I <sub>OL</sub>	Current required from a low-level output V <sub>OL</sub> = 0.4 V		15	mA
<b>ENVIRONMENTAL</b>				
T <sub>CASE</sub>	Case temperature: operational <sup>(5)</sup> (6)	-20	90	°C
	Case temperature: non-operational <sup>(6)</sup>	-40	90	°C
	Dew Point (Operating and non-Operating)		81	°C

- Stresses beyond those listed under [Absolute Maximum Ratings](#) may cause permanent damage to the device. These are stress ratings only, which do not imply functional operation of the device at these or any other conditions beyond those indicated under [Recommended Operating Conditions](#). Exposure to absolute-maximum-rated conditions for extended periods may affect device reliability.
- All voltages referenced to V<sub>SS</sub> (ground).
- Voltages V<sub>CC</sub>, V<sub>CCI</sub>, and V<sub>CC2</sub> are required for proper DMD operation.
- Exceeding the recommended allowable absolute voltage difference between V<sub>CC</sub> and V<sub>CCI</sub> may result in excess current draw. The difference between V<sub>CC</sub> and V<sub>CCI</sub>, |V<sub>CC</sub> - V<sub>CCI</sub>|, should be less than .3V.
- Exposure of the DMD simultaneously to any combination of the maximum operating conditions for case temperature, differential temperature, or illumination power density (see [Recommended Operating Conditions](#)).
- DMD Temperature is the worst-case of any test point shown in [Figure 16](#), or the active array as calculated by the [Micromirror Array Temperature Calculation](#).

### 8.2 Storage Conditions

applicable before the DMD is installed in the final product

		MIN	MAX	UNIT
T <sub>stg</sub>	DMD storage temperature	-40	80	°C
T <sub>DP</sub>	Storage dew point	Storage Dew Point - long-term <sup>(1)</sup>	24	°C
		Storage Dew Point - short-term <sup>(2)</sup>	28	

- Long-term is defined as the usable life of the device.
- Dew points beyond the specified long-term dew point are for short-term conditions only, where short-term is defined as less than 60 cumulative days over the usable life of the device (operating, non-operating, or storage).

### 8.3 ESD Ratings

		VALUE	UNIT
V <sub>(ESD)</sub>	Electrostatic discharge	Electrostatic discharge immunity for LVCMOS [I/O] pins <sup>(1)</sup>	±2000
		Human body model (HBM), per ANSI/ESDA/JEDEC JS-001, all other pins [power, control pins] except MBRST <sup>(2)</sup>	±2000
		Electrostatic discharge immunity for MBRST[0:15] pins <sup>(1)</sup>	<250

- Tested in accordance with JESD22-A114-B Electrostatic Discharge (ESD) sensitivity testing Human Body Model (HBM).
- JEDEC document JEP155 states that 500-V HBM allows safe manufacturing with a standard ESD control process.

## 8.4 Recommended Operating Conditions

over operating free-air temperature range (unless otherwise noted)

		MIN	NOM	MAX	UNIT
<b>SUPPLY VOLTAGES</b> <sup>(1) (2)</sup>					
V <sub>CC</sub>	Supply voltage for LVCMOS core logic	3.15	3.3	3.45	V
V <sub>CCI</sub>	Supply voltage for LVDS receivers	3.15	3.3	3.45	V
V <sub>CC2</sub>	Mirror electrode and HVCMOS supply voltage	8.25	8.5	8.75	V
V <sub>CCI</sub> - V <sub>CC</sub>	Supply voltage delta (absolute value) <sup>(3)</sup>			0.3	V
V <sub>MBRST</sub>	Micromirror clocking pulse voltages	-27		26.5	V
<b>LVCMOS PINS</b>					
V <sub>IH</sub>	High level Input voltage <sup>(4)</sup>	1.7	2.5	V <sub>CC</sub> + 0.15	V
V <sub>IL</sub>	Low level Input voltage <sup>(4)</sup>	-0.3		0.7	V
I <sub>OH</sub>	High level output current at V <sub>OH</sub> = 2.4 V			-20	mA
I <sub>OL</sub>	Low level output current at V <sub>OL</sub> = 0.4 V			15	mA
T <sub>PWRDNZ</sub>	PWRDNZ pulse width <sup>(5)</sup>	10			ns
<b>SCP INTERFACE</b>					
f <sub>clock</sub>	SCP clock frequency <sup>(6)</sup>			500	kHz
t <sub>SCP_SKEW</sub>	Time between valid SCPDI and rising edge of SCPCLK <sup>(7)</sup>	-800		800	ns
t <sub>SCP_DELAY</sub>	Time between valid SCPDO and rising edge of SCPCLK <sup>(7)</sup>			700	ns
t <sub>SCP_BYTE_INTERVAL</sub>	Time between consecutive bytes	1			μs
t <sub>SCP_NEG_ENZ</sub>	Time between falling edge of SCPENZ and the first rising edge of SCPCLK	30			ns
t <sub>SCP_PW_ENZ</sub>	SCPENZ inactive pulse width (high level)	1			μs
t <sub>SCP_OUT_EN</sub>	Time required for SCP output buffer to recover after SCPENZ (from tri-state)			1.5	ns
f <sub>clock</sub>	SCP circuit clock oscillator frequency <sup>(8)</sup>	9.6		11.1	MHz

(1) Supply voltages V<sub>CC</sub>, V<sub>CCI</sub>, V<sub>OFFSET</sub>, V<sub>BIAS</sub>, and V<sub>RESET</sub> are all required for proper DMD operation. V<sub>SS</sub> must also be connected.

(2) V<sub>OFFSET</sub> supply transients must fall within specified max voltages.

(3) To prevent excess current, the supply voltage delta |V<sub>CCI</sub> - V<sub>CC</sub>| must be less than specified limit.

(4) Tester Conditions for V<sub>IH</sub> and V<sub>IL</sub>:

Frequency = 60MHz. Maximum Rise Time = 2.5 ns at (20% to 80%)

Frequency = 60MHz. Maximum Fall Time = 2.5 ns at (80% to 20%)

(5) PWRDNZ input pin resets the SCP and disables the LVDS receivers. PWRDNZ input pin overrides SCPENZ input pin and tri-states the SCPDO output pin.

(6) The SCP clock is a gated clock. Duty cycle shall be 50% ± 10%. SCP parameter is related to the frequency of DCLK.

(7) Refer to [Figure 3](#).

(8) SCP internal oscillator is specified to operate all SCP registers. For all SCP operations, DCLK is required.



## Recommended Operating Conditions (continued)

over operating free-air temperature range (unless otherwise noted)

		MIN	NOM	MAX	UNIT
<b>LVDS INTERFACE</b>					
$f_{\text{clock}}$	Clock frequency for LVDS interface, DCLK (all channels)		200		MHz
$ V_{\text{ID}} $	Input differential voltage (absolute value) <sup>(9)</sup>	100	400	600	mV
$V_{\text{CM}}$	Common mode <sup>(9)</sup>		1200		mV
$V_{\text{LVDS}}$	LVDS voltage <sup>(9)</sup>	0		2000	mV
$t_{\text{LVDS\_RSTZ}}$	Time required for LVDS receivers to recover from PWRDNZ			10	ns
$Z_{\text{IN}}$	Internal differential termination resistance	95		105	$\Omega$
$Z_{\text{LINE}}$	Line differential impedance (PWB/trace)	90	100	110	$\Omega$
<b>ENVIRONMENTAL<sup>(10)</sup></b>					
$T_{\text{DMD}}$	Long-term DMD temperature (operational) <sup>(11) (12) (13)</sup>	10		40 to 70 <sup>(12)</sup>	$^{\circ}\text{C}$
	Short-term DMD temperature (operational) <sup>(11) (14)</sup>	-20		75	$^{\circ}\text{C}$
$T_{\text{WINDOW}}$	Window temperature – operational <sup>(15)</sup>			90	$^{\circ}\text{C}$
$T_{\text{CERAMIC-WINDOW-DELTA}}$	Delta ceramic-to-window temperature -operational <sup>(15) (16)</sup>			30	$^{\circ}\text{C}$
	Long-term dew point (operational & non-operational)			24	$^{\circ}\text{C}$
	Short-term dew point <sup>(13) (17)</sup> (operational & non-operational)			28	$^{\circ}\text{C}$
$\text{ILL}_{\text{UV}}$	Illumination, wavelength < 420 nm			0.68	$\text{mW}/\text{cm}^2$
$\text{ILL}_{\text{VIS}}$	Illumination, wavelengths between 420 and 700 nm			Thermally Limited <sup>(18)</sup>	$\text{mW}/\text{cm}^2$
$\text{ILL}_{\text{IR}}$	Illumination, wavelength > 700 nm			10	$\text{mW}/\text{cm}^2$

(9) Refer to [Figure 5](#), [Figure 6](#), and [Figure 7](#).

(10) Optimal, long-term performance and optical efficiency of the Digital Micromirror Device (DMD) can be affected by various application parameters, including illumination spectrum, illumination power density, micromirror landed duty-cycle, ambient temperature (storage and operating), DMD temperature, ambient humidity (storage and operating), and power on or off duty cycle. TI recommends that application-specific effects be considered as early as possible in the design cycle.

(11) DMD Temperature is the worst-case of any thermal test point in [Figure 16](#), or the active array as calculated by the [Micromirror Array Temperature Calculation for Uniform Illumination](#).

(12) Per [Figure 1](#), the maximum operational case temperature should be derated based on the micromirror landed duty cycle that the DMD experiences in the end application. Refer to [Micromirror Landed-on/Landed-Off Duty Cycle](#) for a definition of micromirror landed duty cycle.

(13) Long-term is defined as the average over the usable life of the device.

(14) Short-term is defined as less than 60 cumulative days over the over the usable life of the device.

(15) Window temperature as measured at thermal test points TP2, TP3, TP4 and TP5 in [Figure 16](#). The locations of thermal test points TP2, TP3, TP4 and TP5 in [Figure 16](#) are intended to measure the highest window edge temperature. If a particular application causes another point on the window edge to be at a higher temperature, a test point should be added to that location.

(16) Ceramic package temperature as measured at test point 1 (TP 1) in [Figure 16](#).

(17) Dew points beyond the specified long-term dew point (operating, non-operating, or storage) are for short-term conditions only, where short-term is defined as < 60 cumulative days over the usable life of the device.

(18) Refer to [Thermal Information](#) and [Micromirror Array Temperature Calculation](#).

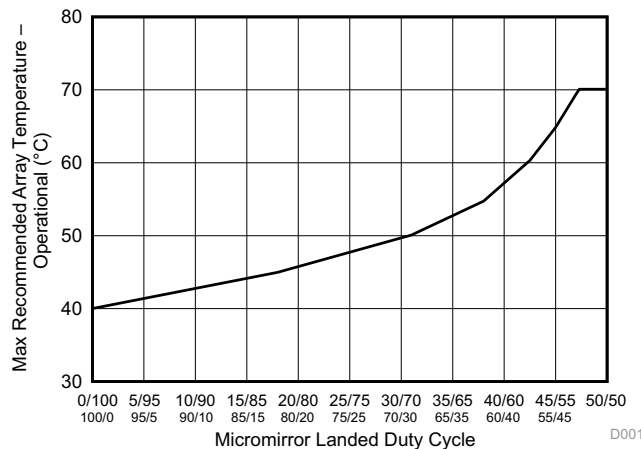


Figure 1. Max Recommended DMD Temperature – Derating Curve

### 8.5 Thermal Information

THERMAL METRIC	DLP5500	UNIT
	FYA (CPGA)	
	149 PINS	
Thermal resistance from active array to specified point on case (TP1) <sup>(1)</sup>	0.6	°C/W

(1) For more information, see [Micromirror Array Temperature Calculation](#).

### 8.6 Electrical Characteristics

over operating free-air temperature range (unless otherwise noted)

PARAMETER	TEST CONDITIONS	MIN	TYP	MAX	UNIT
V <sub>OH</sub>	High-level output voltage <sup>(1)</sup> , See <a href="#">Figure 2</a> V <sub>CC</sub> = 3.0 V, I <sub>OH</sub> = -20 mA	2.4			V
V <sub>OL</sub>	Low-level output voltage <sup>(1)</sup> , See <a href="#">Figure 2</a> V <sub>CC</sub> = 3.6 V, I <sub>OL</sub> = 15 mA			0.4	V
I <sub>OZ</sub>	High impedance output current <sup>(1)</sup> V <sub>CC</sub> = 3.6 V			10	μA
I <sub>IL</sub>	Low-level input current <sup>(1)</sup> V <sub>CC</sub> = 3.6 V, V <sub>I</sub> = 0 V			-60	μA
I <sub>IH</sub>	High-level input current <sup>(1)</sup> V <sub>CC</sub> = 3.6 V, V <sub>I</sub> = V <sub>CC</sub>			200	μA
I <sub>CC</sub>	Current into V <sub>CC</sub> pin V <sub>CC</sub> = 3.6 V,			750	mA
I <sub>CC1</sub>	Current into V <sub>OFFSET</sub> pin <sup>(2)</sup> V <sub>CC1</sub> = 3.6 V			450	mA
I <sub>CC2</sub>	Current into V <sub>CC2</sub> pin V <sub>CC2</sub> = 8.75V			25	mA
Z <sub>IN</sub>	Internal Differential Impedance	95		105	Ω
Z <sub>LINE</sub>	Line Differential Impedance (PWB or Trace)	90	100	110	Ω
C <sub>I</sub>	Input capacitance <sup>(1)</sup> f = 1 MHz			10	pF
C <sub>O</sub>	Output capacitance <sup>(1)</sup> f = 1 MHz			10	pF
C <sub>IM</sub>	Input capacitance for MBRST[0:15] pins f = 1 MHz	160		210	pF

(1) Applies to LVCMOS pins only

(2) Exceeding the maximum allowable absolute voltage difference between V<sub>CC</sub> and V<sub>CC1</sub> may result in excess current draw. (Refer to [Absolute Maximum Ratings](#) for details)

#### LOAD CIRCUIT

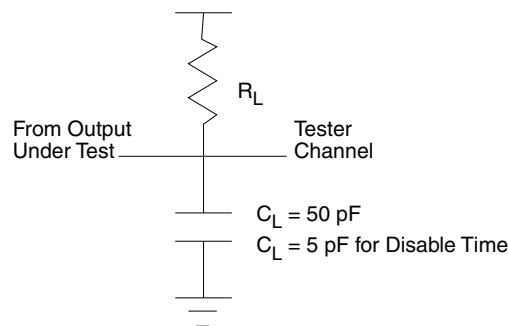


Figure 2. Measurement Condition for LVC MOS Output

## 8.7 Timing Requirements

over operating free-air temperature range (unless otherwise noted)

		MIN	NOM	MAX	UNIT
<b>LVDS TIMING PARAMETERS (See Figure 9)</b>					
$t_c$	Clock Cycle DCLK_A or DCLK_B		5		ns
$t_w$	Pulse Width DCLK_A or DCLK_B		2.5		ns
$t_s$	Setup Time, D_A[0:15] before DCLK_A	.35			ns
$t_s$	Setup Time, D_B[0:15] before DCLK_B	.35			ns
$t_h$	Hold Time, D_A[0:15] after DCLK_A	.35			ns
$t_h$	Hold Time, D_B[0:15] after DCLK_B	.35			ns
$t_{skew}$	Channel B relative to Channel A	-1.25		1.25	ns
<b>LVDS WAVEFORM REQUIREMENTS (See Figure 6)</b>					
$ V_{ID} $	Input Differential Voltage (absolute difference)	100	400	600	mV
$V_{CM}$	Common Mode Voltage		1200		mV
$V_{LVDS}$	LVDS Voltage	0		2000	mV
$t_r$	Rise Time (20% to 80%)	100		400	ps
$t_f$	Fall Time (80% to 20%)	100		400	ps
<b>SERIAL CONTROL BUS TIMING PARAMETERS (See Figure 3 and Figure 4)</b>					
$f_{SCP\_CLK}$	SCP Clock Frequency	50		500	kHz
$t_{SCP\_SKEW}$	Time between valid SCP_DI and rising edge of SCP_CLK	-300		300	ns
$t_{SCP\_DELAY}$	Time between valid SCP_DO and rising edge of SCP_CLK			2600	ns
$t_{SCP\_EN}$	Time between falling edge of $\overline{SCP\_EN}$ and the first rising edge of SCP_CLK	30			ns
$t_{r\_SCP}$	Rise time for SCP signals			200	ns
$t_{fP}$	Fall time for SCP signals			200	ns

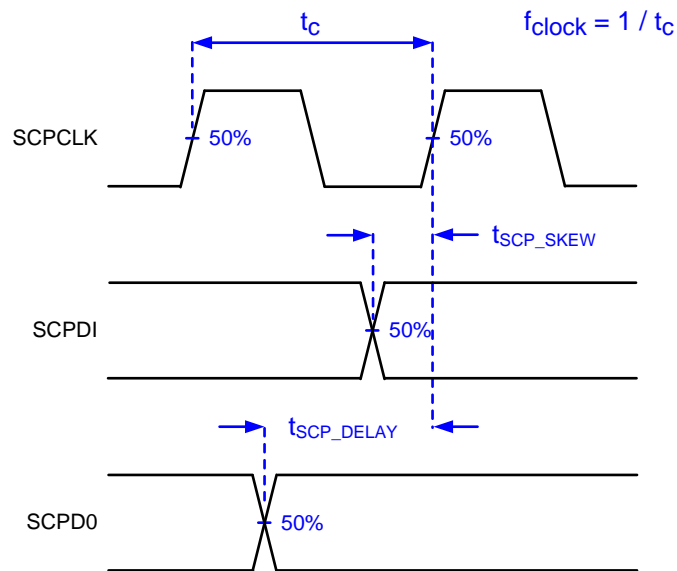


Figure 3. Serial Communications Bus Timing Parameters

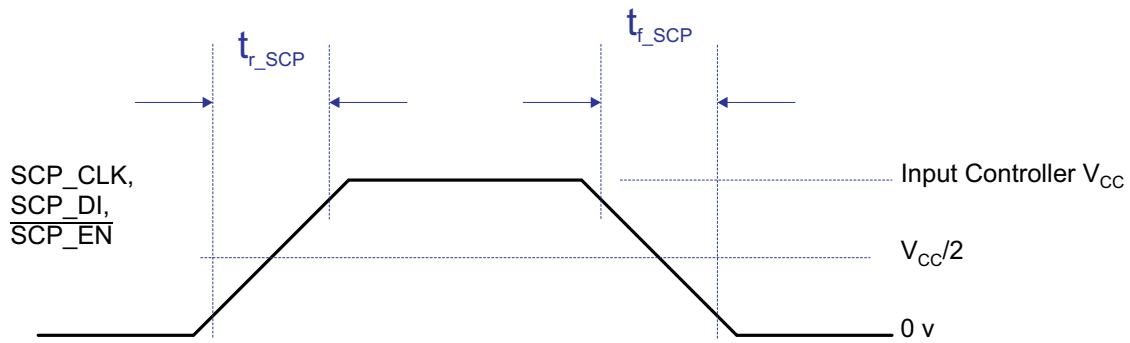
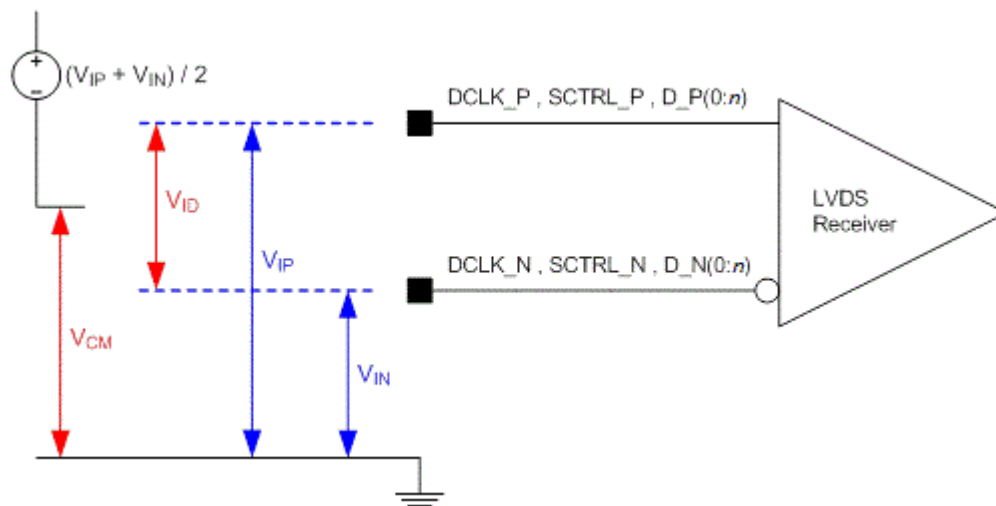


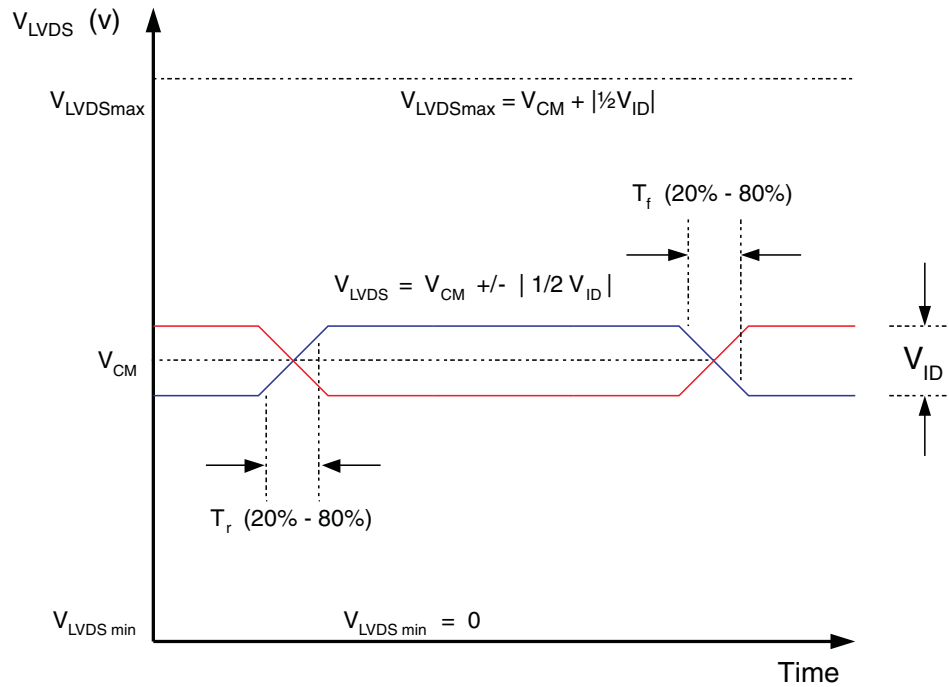
Figure 4. Serial Communications Bus Waveform Requirements



Refer to LVDS Interface section of the [Recommended Operating Conditions](#).

Refer to Pin Configuration and Functions for list of LVDS pins.

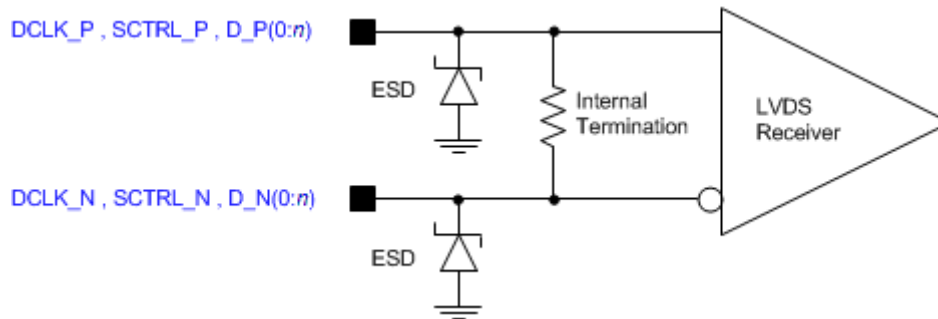
Figure 5. LVDS Voltage Definitions (References)



Not to scale.

Refer to LVDS Interface section of the [Recommended Operating Conditions](#).

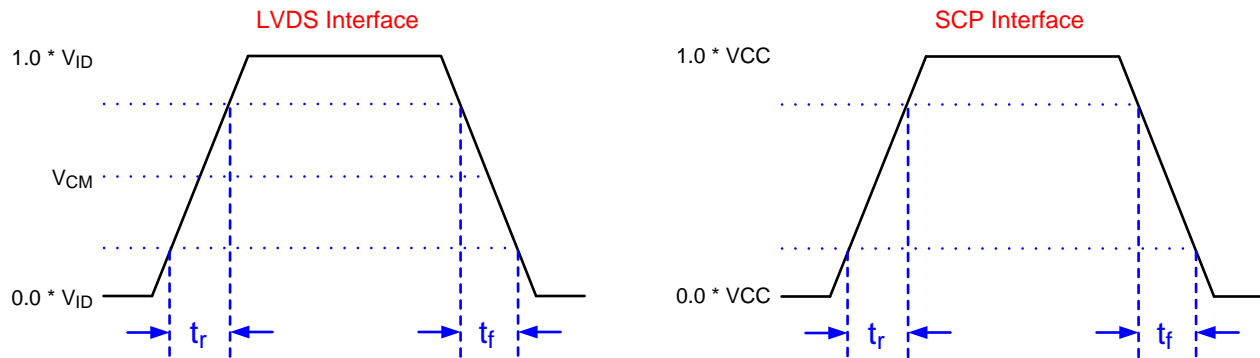
**Figure 6. LVDS Waveform Requirements**



Refer to LVDS Interface section of the [Recommended Operating Conditions](#).

Refer to [Pin Configuration and Functions](#) for list of LVDS pins.

**Figure 7. LVDS Equivalent Input Circuit**

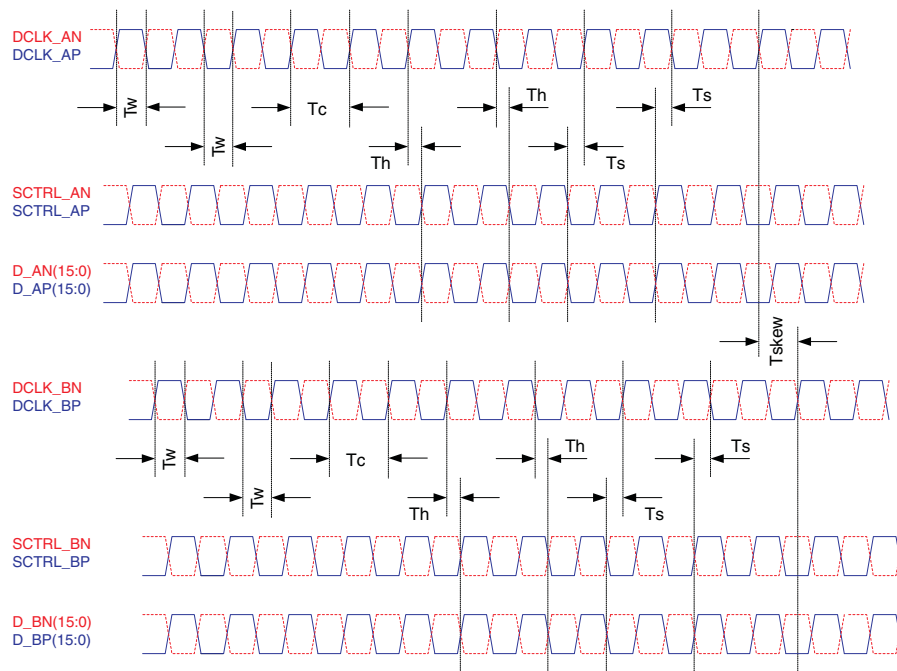


Not to scale.

Refer to the *Timing Requirements*.

Refer to *Pin Configuration and Functions* for list of LVDS pins and SCP pins.

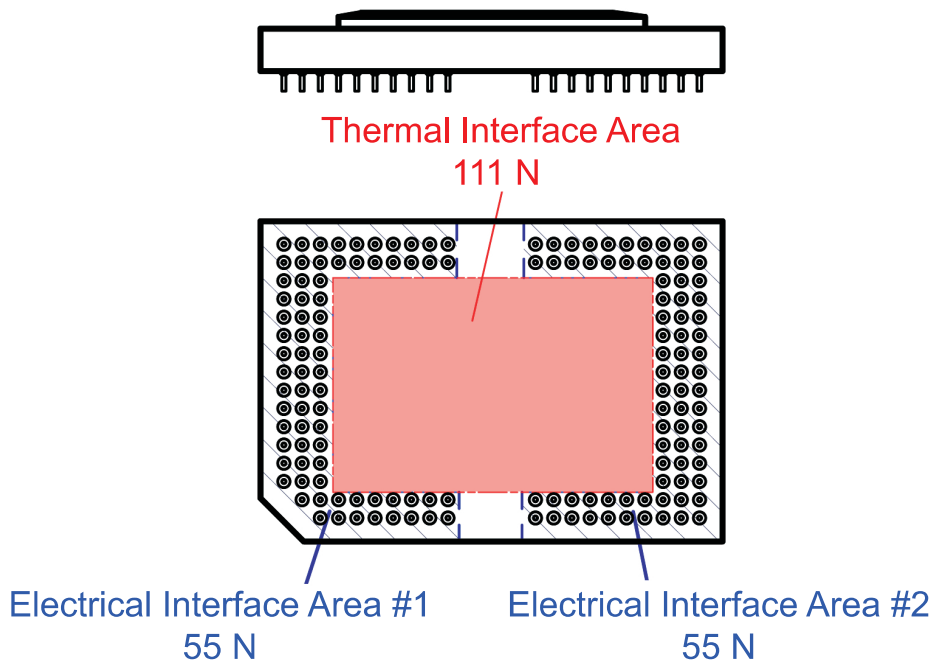
**Figure 8. Rise Time and Fall Time**



**Figure 9. LVDS Timing Waveforms**

### 8.8 System Mounting Interface Loads

PARAMETER			MIN	NOM	MAX	UNIT
Maximum system mounting interface load to be applied to the:	Thermal Interface area	Static load applied to the thermal interface area, See <a href="#">Figure 10</a>			111	N
	Electrical Interface area	Static load applied to each electrical interface area no. 1 and no. 2, See <a href="#">Figure 10</a>			55	N



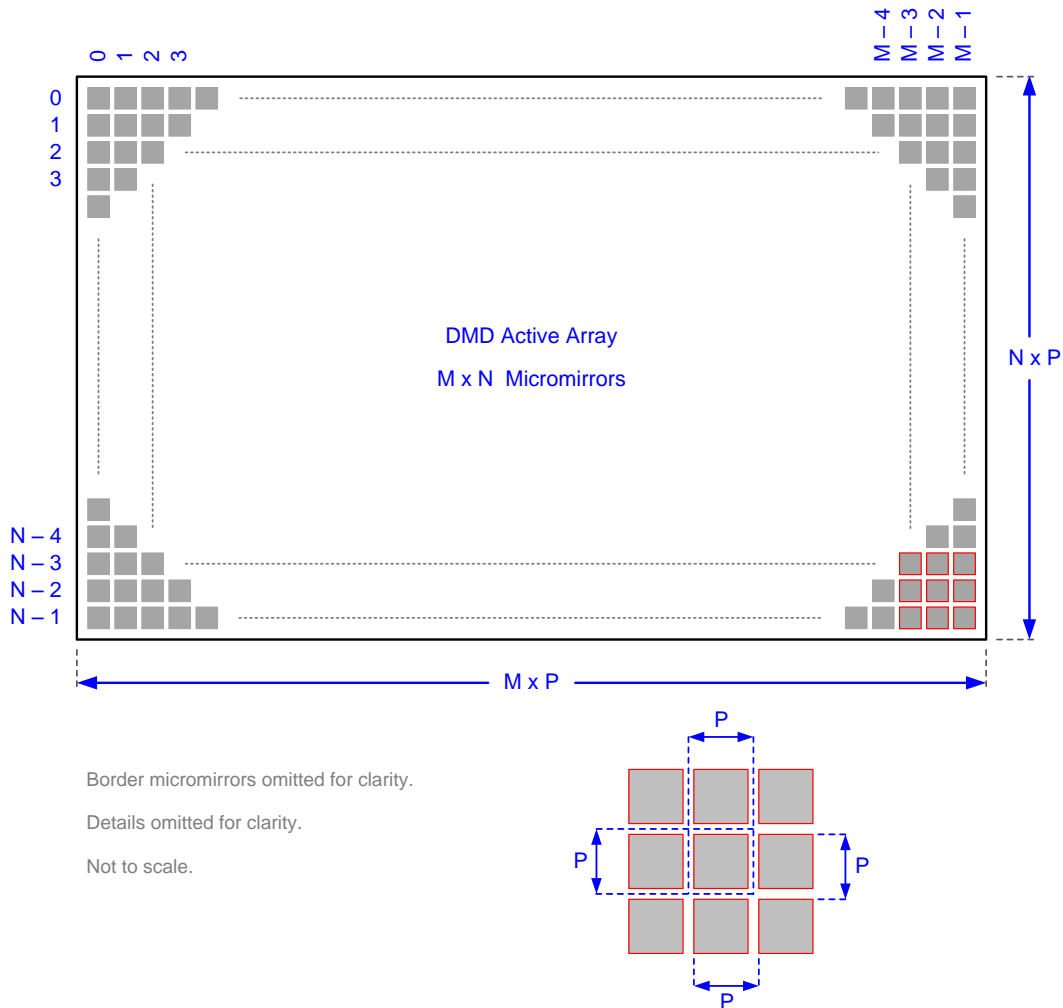
**Figure 10. System Interface Loads**

### 8.9 Micromirror Array Physical Characteristics

Additional details are provided in the *Mechanical, Packaging, and Orderable Information* section at the end of this document.

PARAMETER			VALUE	UNIT	
M	Number of active micromirror columns	See <a href="#">Micromirror Array Physical Characteristics</a>	1024	micromirrors	
N	Number of active micromirror rows		768		
P	Micromirror pitch		10.8	μm	
	Micromirror active array width		M × P	11.059	mm
	Micromirror active array height		N × P	8.294	mm
	Micromirror active array border	Pond of Micromirror (POM) <sup>(1)</sup>	10	micromirrors /side	

- (1) The structure and qualities of the border around the active array includes a band of partially functional micromirrors called the POM. These micromirrors are structurally and/or electrically prevented from tilting toward the bright or ON state, but still require an electrical bias to tilt toward OFF.



Refer to the *Micromirror Array Physical Characteristics* table for M, N, and P specifications.

**Figure 11. Micromirror Array Physical Characteristics**



## 8.10 Micromirror Array Optical Characteristics

TI assumes no responsibility for end-equipment optical performance. Achieving the desired end-equipment optical performance involves making trade-off's between numerous component and system design parameters. See the Application Notes for additional details, considerations, and guidelines: *DLP System Optics Application Report (DLPA022)*.

PARAMETER	CONDITIONS	MIN	NOM	MAX	UNIT
Micromirror tilt angle, <b>a</b>	DMD parked state <sup>(1)(2)(3)</sup> , see <a href="#">Figure 15</a>		0		degrees
	DMD landed state <sup>(1)(4)(5)</sup> , see <a href="#">Figure 15</a>		12		
Micromirror tilt angle variation, <b>b</b> <sup>(1)(4)(6)(7)(8)</sup>	See <a href="#">Figure 15</a>	-1		1	degrees
Micromirror Cross Over Time <sup>(9)</sup>			16	22	µs
Micromirror Switching Time <sup>(10)</sup>			140		µs
Non Operating micromirrors <sup>(11)</sup>	Non-adjacent micromirrors			10	micromirrors
	Adjacent micromirrors			0	
Orientation of the micromirror axis-of-rotation <sup>(12)</sup>	See	44	45	46	degrees
Micromirror array optical efficiency <sup>(13)(14)</sup>	420 - 700, with all micromirrors in the ON state		68%		nm
Mirror metal specular reflectivity	420 - 700		89.4%		nm

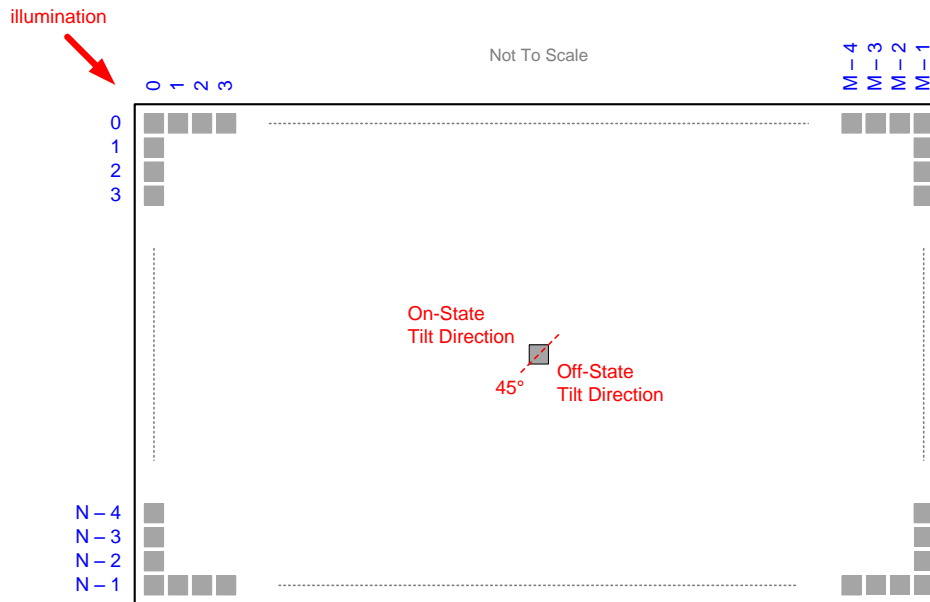
- (1) Measured relative to the plane formed by the overall micromirror array
- (2) Parking the micromirror array returns all of the micromirrors to an essentially flat (0°) state (as measured relative to the plane formed by the overall micromirror array).
- (3) When the micromirror array is parked, the tilt angle of each individual micromirror is uncontrolled.
- (4) Additional variation exists between the micromirror array and the package datums, as shown in the section at the end of the document.
- (5) When the micromirror array is landed, the tilt angle of each individual micromirror is dictated by the binary contents of the CMOS memory cell associated with each individual micromirror. A binary value of 1 will result in a micromirror landing in an nominal angular position of +12 degrees. A binary value of 0 will result in a micromirror landing in an nominal angular position of -12 degrees.
- (6) Represents the landed tilt angle variation relative to the Nominal landed tilt angle.
- (7) Represents the variation that can occur between any two individual micromirrors, located on the same device or located on different devices.
- (8) For some applications, it is critical to account for the micromirror tilt angle variation in the overall System Optical Design. With some System Optical Designs, the micromirror tilt angle variations within a device may result in perceivable non-uniformities in the light field reflected from the micromirror array. With some System Optical Designs, the micromirror tilt angle variation between devices may result in colorimetry variations and/or system contrast variations.
- (9) Micromirror Cross Over time is primarily a function of the natural response time of the micromirrors.
- (10) Micromirror switching is controlled and coordinated by the DLPC200 (See [DLPS014](#)) and DLP200 (See [DLPS015](#)). Nominal Switching time depends on the system implementation and represents the time for the entire micromirror array to be refreshed.
- (11) Non-operating micromirror is defined as a micromirror that is unable to transition nominally from the -12 degree position to +12 degree or vice versa.
- (12) Measured relative to the package datums B and C, shown in the [Mechanical, Packaging, and Orderable Information](#) section at the end of this document.
- (13) The minimum or maximum DMD optical efficiency observed in a specific application depends on numerous application-specific design variables, such as but not limited to:
  - (a) Illumination wavelength, bandwidth or line-width, degree of coherence
  - (b) Illumination angle, plus angle tolerance
  - (c) Illumination and projection aperture size, and location in the system optical path
  - (d) Illumination overfill of the DMD micromirror array
  - (e) Aberrations present in the illumination source and/or path
  - (f) Aberrations present in the projection path

The specified nominal DMD optical efficiency is based on the following use conditions:

  - (a) Visible illumination (420 nm – 700 nm)
  - (b) Input illumination optical axis oriented at 24° relative to the window normal
  - (c) Projection optical axis oriented at 0° relative to the window normal
  - (d) f/3.0 illumination aperture
  - (e) f/2.4 projection aperture

Based on these use conditions, the nominal DMD optical efficiency results from the following four components:

  - (a) Micromirror array fill factor: nominally 92%
  - (b) Micromirror array diffraction efficiency: nominally 86%
  - (c) Micromirror surface reflectivity: nominally 88%
  - (d) Window transmission: nominally 97% (single pass, through two surface transitions)
- (14) Does not account for the effect of micromirror switching duty cycle, which is application dependant. Micromirror switching duty cycle represents the percentage of time that the micromirror is actually reflecting light from the optical illumination path to the optical projection path. This duty cycle depends on the illumination aperture size, the projection aperture size, and the micromirror array update rate.



Refer to section [Micromirror Array Physical Characteristics](#) table for M, N, and P specifications.

**Figure 12. Micromirror Landed Orientation and Tilt**

### 8.11 Window Characteristics

PARAMETER <sup>(1)</sup>	CONDITIONS	MIN	TYP	MAX	UNIT
Window material designation	Corning Eagle XG				
Window refractive index	at wavelength 546.1 nm		1.5119		
Window aperture	See <sup>(2)</sup>				
Illumination overfill	Refer to <a href="#">Illumination Overfill</a> section				
Window transmittance, single-pass through both surfaces and glass <sup>(3)</sup>	At wavelength 405 nm. Applies to 0° and 24° AOI only.	95%			
	Minimum within the wavelength range 420 nm to 680 nm. Applies to all angles 0° to 30° AOI.	97%			
	Average over the wavelength range 420 nm to 680 nm. Applies to all angles 30° to 45° AOI.	97%			

(1) See [Window Characteristics and Optics](#) for more information.

(2) For details regarding the size and location of the window aperture, see the package mechanical characteristics listed in the Mechanical ICD in the Mechanical, Packaging, and Orderable Information section.

(3) See the TI application report [Wavelength Transmittance Considerations for DLP® DMD Window DLPA031](#).

### 8.12 Chipset Component Usage Specification

The DLP5500 is a component of one or more DLP chipsets. Reliable function and operation of the DLP5500 requires that it be used in conjunction with the other components of the applicable DLP chipset, including those components that contain or implement TI DMD control technology. TI DMD control technology is the TI technology and devices for operating or controlling a DLP DMD.

## 9 Detailed Description

### 9.1 Overview

DLP5500 is a 0.55 inch diagonal spatial light modulator which consists of an array of highly reflective aluminum micromirrors. Pixel array size and square grid pixel arrangement are shown in [Figure 11](#).

The DMD is an electrical input, optical output micro-electrical-mechanical system (MEMS). The electrical interface is Low Voltage Differential Signaling (LVDS), Double Data Rate (DDR).

DLP5500 DMD consists of a two-dimensional array of 1-bit CMOS memory cells. The array is organized in a grid of  $M$  memory cell columns by  $N$  memory cell rows. Refer to the [Functional Block Diagram](#).

The positive or negative deflection angle of the micromirrors can be individually controlled by changing the address voltage of underlying CMOS addressing circuitry and micromirror reset signals (MBRST).

Each cell of the  $M \times N$  memory array drives its true and complement ('Q' and 'QB') data to two electrodes underlying one micromirror, one electrode on each side of the diagonal axis of rotation. Refer to [Figure 15](#). The micromirrors are electrically tied to the micromirror reset signals (MBRST) and the micromirror array is divided into reset groups.

Electrostatic potentials between a micromirror and its memory data electrodes cause the micromirror to tilt toward the illumination source in a DLP projection system or away from it, thus reflecting its incident light into or out of an optical collection aperture. The positive (+) tilt angle state corresponds to an 'on' pixel, and the negative (-) tilt angle state corresponds to an 'off' pixel.

Refer to [Micromirror Array Optical Characteristics](#) for the  $\pm$  tilt angle specifications. Refer to the [Pin Configuration and Functions](#) for more information on micromirror clocking pulse (reset) control.

## 9.2 Functional Block Diagram

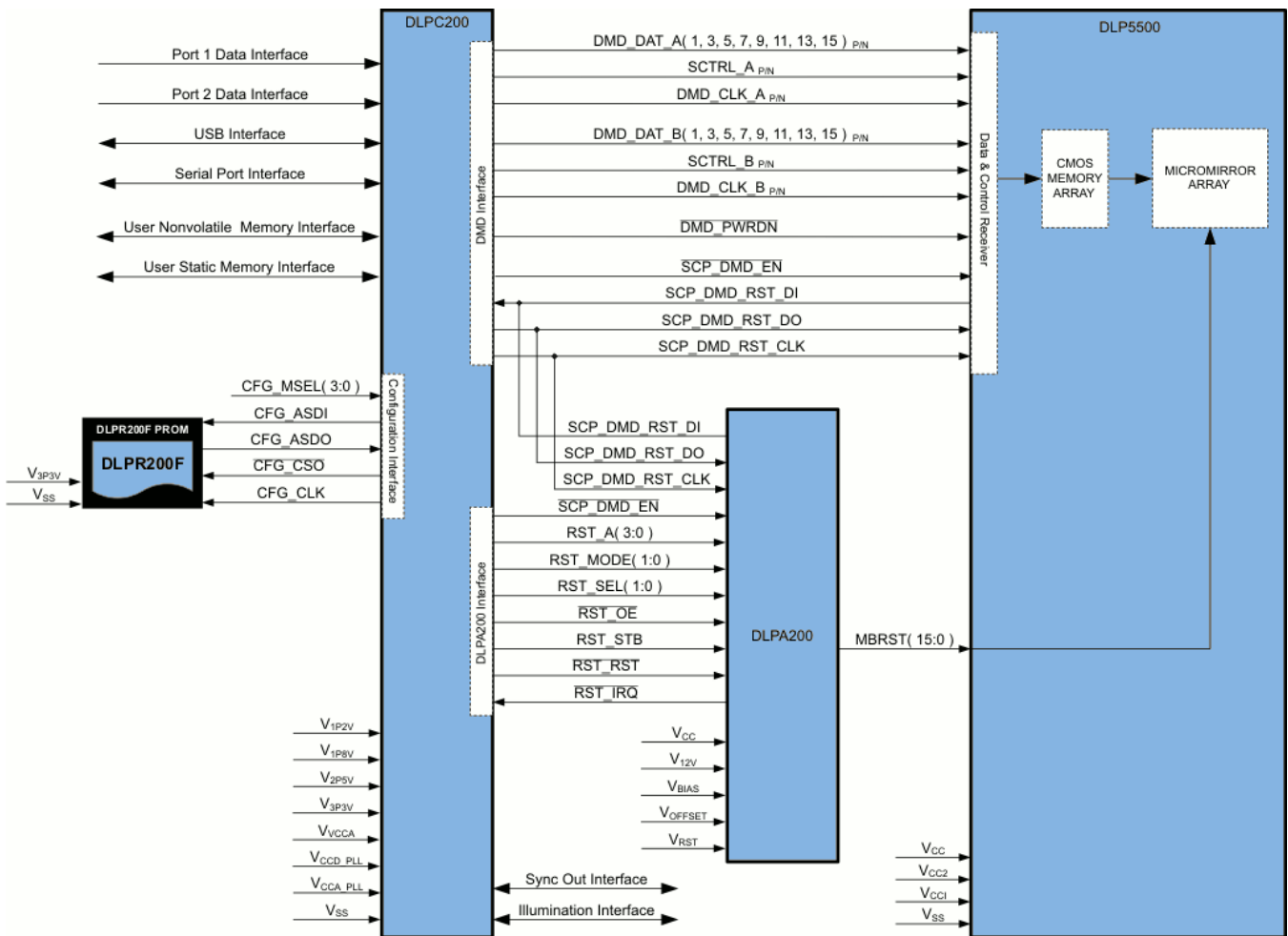


Figure 13. Functional Block Diagram

### 9.3 Feature Description

The DLP5500 device consists of 786,432 highly reflective, digitally switchable, micrometer-sized mirrors (micromirrors) organized in a two-dimensional orthogonal pixel array. Refer to [Figure 11](#) and [Figure 14](#).

Each aluminum micromirror is switchable between two discrete angular positions,  $-a$  and  $+a$ . The angular positions are measured relative to the micromirror array plane, which is parallel to the silicon substrate. Refer to [Micromirror Array Optical Characteristics](#) and [Figure 15](#).

The parked position of the micromirror is not a latched position and is therefore not necessarily perfectly parallel to the array plane. Individual micromirror flat state angular positions may vary. Tilt direction of the micromirror is perpendicular to the hinge-axis. The on-state landed position is directed toward the left-top edge of the package, as shown in [Figure 14](#).

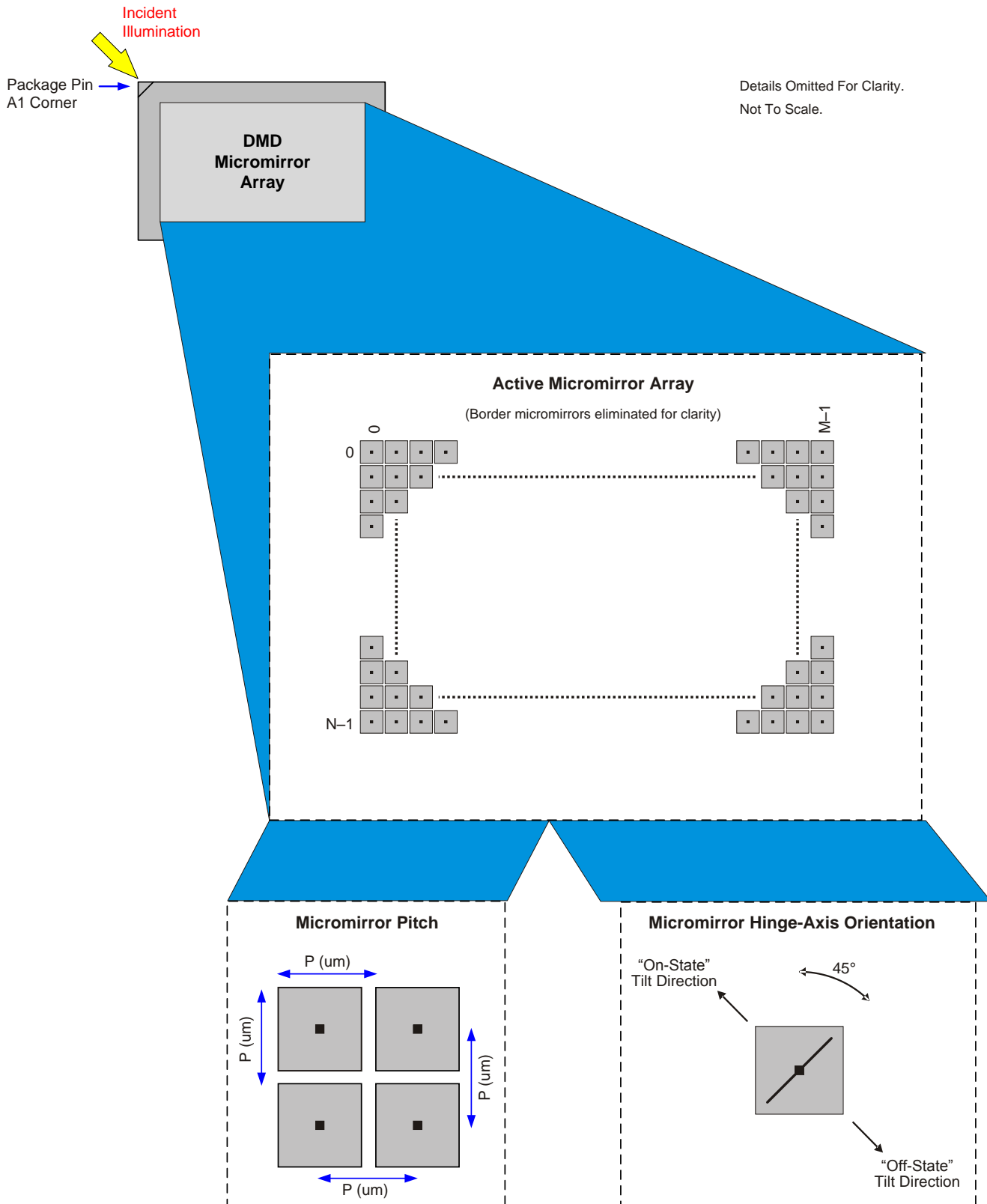
Each individual micromirror is positioned over a corresponding CMOS memory cell. The angular position of a specific micromirror is determined by the binary state (logic 0 or 1) of the corresponding CMOS memory cell contents, after the mirror clocking pulse is applied. The angular position ( $-a$  and  $+a$ ) of the individual micromirrors changes synchronously with a micromirror clocking pulse, rather than being coincident with the CMOS memory cell data update.

Writing logic 1 into a memory cell followed by a mirror clocking pulse results in the corresponding micromirror switching to the  $+a$  position. Writing logic 0 into a memory cell followed by a mirror clocking pulse results in the corresponding micromirror switching to the  $-a$  position.

Updating the angular position of the micromirror array consists of two steps. First, update the contents of the CMOS memory. Second, apply a micromirror clocking pulse (reset) to all or a portion of the micromirror array (depending upon the configuration of the system). Micromirror reset pulses are generated externally by the DLPC200 controller in conjunction with the DLPA200 analog driver, with application of the pulses being coordinated by the DLPC200 controller.

For more information, see the TI application report [DLPA008](#), *DMD101: Introduction to Digital Micromirror Device (DMD) Technology*.

Feature Description (continued)

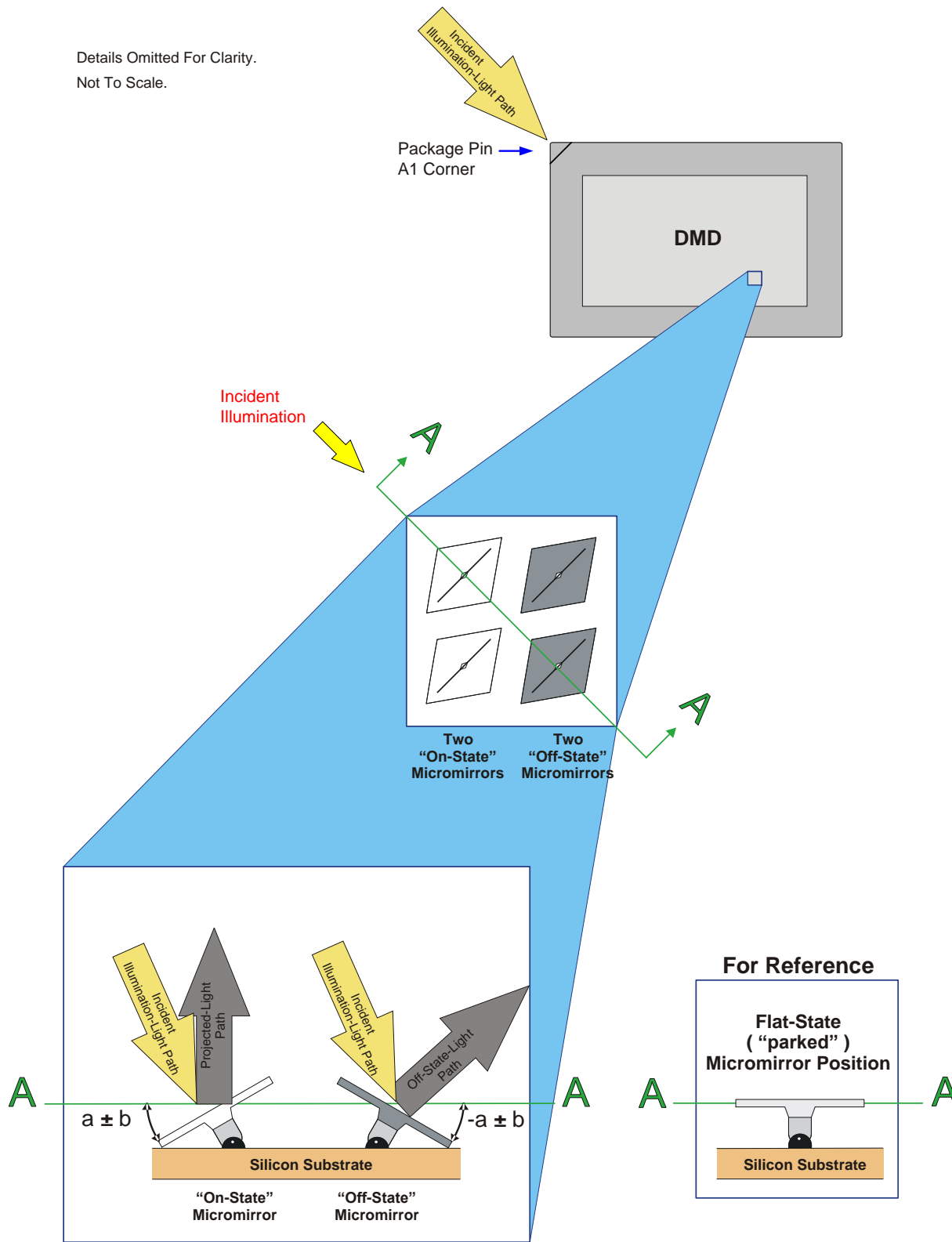


Refer to Figure 11 and Figure 12.

Figure 14. Micromirror Array, Pitch, Hinge Axis Orientation

Feature Description (continued)

Details Omitted For Clarity.  
Not To Scale.



Micromirror States: On, Off, Flat

Figure 15. Micromirror States: On, Off, Flat

## 9.4 Device Functional Modes

DMD functional modes are controlled by the DLPC200 digital display controller. See the [DLPC200](#) data sheet listed in [Related Documentation](#). Contact a TI applications engineer for more information.

The DLPC200 provides two basic functional mode types to control the DLP5500 DMD: video and structured light.

### 9.4.1 Video Modes

The controller accepts RGB-8-8-8 input to port 1 or port 2 through a selectable MUX. XGA video information is displayed on the DMD at 6 to 60 fps.

An internal pattern generator can generate RGB-8-8-8 video patterns into an internal selectable MUX for verification and debug purposes.

### 9.4.2 Structured Light Modes

The DLPC200 provides two structured light modes: static image buffer and real-time structured light.

#### 9.4.2.1 Static Image Buffer Mode

Image data can be loaded into parallel flash memory to load to DDR2 memory at startup to be displayed, or can be loaded over USB or the SPI port directly to DDR2 memory to be displayed. Binary (1-bit) or grayscale (8-bit) patterns can be displayed. The memory will hold 960 binary patterns or 120 grayscale patterns.

Binary (1-bit) patterns can be displayed at up to 5000 binary patterns per second. These patterns assume a constant illumination and do not depend on illumination modulation.

Grayscale (8-bit) patterns assume illumination modulation in order to achieve higher pattern rates. When the pattern rate requires that the lower significant bit(s) be shorter than the rate that the DMD can be switched, these bits will require the source to be modulated to achieve the shorter time required. The trade-off is dark time during these bits. At the maximum 500 Hz grayscale pattern rate, the dark time approaches 75%.

#### 9.4.2.2 Real Time Structured Light Mode

RGB-8-8-8 60 fps data can be input into port 1 or port 2 and reinterpreted as up to 24 binary (1-bit) patterns or three grayscale (8-bit) patterns. The specified number of patterns is displayed equally during the exposure time specified. Any unused RGB-8-8-8 data in the video frame must be filled with data, usually 0s.

For example, during one video frame (16.67 ms), 12 binary patterns of the 24 RGB bits are requested to be displayed during half of the video frame time (exposure time = 8.33 ms). Each of the eight red bits and the four most significant green bits are displayed as a binary pattern for 694  $\mu$ s each. The remaining bits are ignored and the remaining 8.33 ms of the frame will be dark.

## 9.5 Window Characteristics and Optics

---

### NOTE

TI assumes no responsibility for image quality artifacts or DMD failures caused by optical system operating conditions exceeding limits described previously.

---

### 9.5.1 Optical Interface and System Image Quality

TI assumes no responsibility for end-equipment optical performance. Achieving the desired end-equipment optical performance involves making trade-offs between numerous component and system design parameters. Optimizing system optical performance and image quality strongly relate to optical system design parameter trades. Although it is not possible to anticipate every conceivable application, projector image quality and optical performance is contingent on compliance to the optical system operating conditions described in the following sections.



## Window Characteristics and Optics (continued)

### 9.5.2 Numerical Aperture and Stray Light Control

The angle defined by the numerical aperture of the illumination and projection optics at the DMD optical area should be the same. This angle should not exceed the nominal device mirror tilt angle unless appropriate apertures are added in the illumination and/or projection pupils to block out flat-state and stray light from the projection lens. The mirror tilt angle defines DMD capability to separate the "ON" optical path from any other light path, including undesirable flat-state specular reflections from the DMD window, DMD border structures, or other system surfaces near the DMD such as prism or lens surfaces. If the numerical aperture exceeds the mirror tilt angle, or if the projection numerical aperture angle is more than two degrees larger than the illumination numerical aperture angle, objectionable artifacts in the display's border and/or active area could occur.

### 9.5.3 Pupil Match

TI's optical and image quality specifications assume that the exit pupil of the illumination optics is nominally centered within 2° (two degrees) of the entrance pupil of the projection optics. Misalignment of pupils can create objectionable artifacts in the display's border and/or active area, which may require additional system apertures to control, especially if the numerical aperture of the system exceeds the pixel tilt angle.

### 9.5.4 Illumination Overfill

The active area of the device is surrounded by an aperture on the inside DMD window surface that masks structures of the DMD device assembly from normal view. The aperture is sized to anticipate several optical operating conditions. Overfill light illuminating the window aperture can create artifacts from the edge of the window aperture opening and other surface anomalies that may be visible on the screen. The illumination optical system should be designed to limit light flux incident anywhere on the window aperture from exceeding approximately 10% of the average flux level in the active area. Depending on the particular system's optical architecture, overfill light may have to be further reduced below the suggested 10% level in order to be acceptable.

## 9.6 Micromirror Array Temperature Calculation

Achieving optimal DMD performance requires proper management of the maximum DMD case temperature, the maximum temperature of any individual micromirror in the active array, the maximum temperature of the window aperture, and the temperature gradient between case temperature and the predicted micromirror array temperature. (see [Figure 16](#)).

Refer to the [Recommended Operating Conditions](#) for applicable temperature limits.

### 9.6.1 Package Thermal Resistance

The DMD is designed to conduct absorbed and dissipated heat to the back of the Series 450 package where it can be removed by an appropriate heat sink. The heat sink and cooling system must be capable of maintaining the package within the specified operational temperatures, refer to [Figure 16](#). The total heat load on the DMD is typically driven by the incident light absorbed by the active area; although other contributions include light energy absorbed by the window aperture and electrical power dissipation of the array.

### 9.6.2 Case Temperature

The temperature of the DMD case can be measured directly. For consistency, Thermal Test Point locations TP1 - TP5 are defined, as shown in [Figure 16](#).

### Micromirror Array Temperature Calculation (continued)

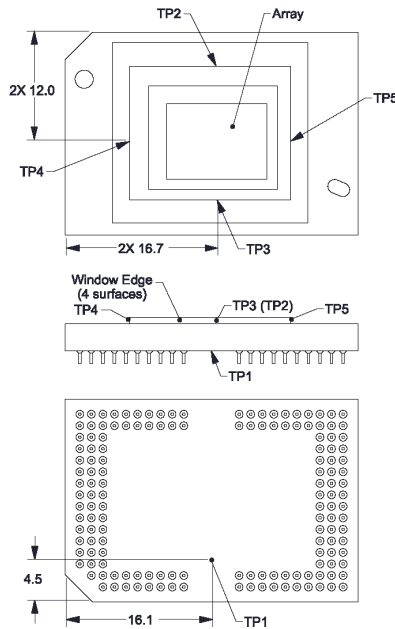


Figure 16. Thermal Test Point Location

#### 9.6.3 Micromirror Array Temperature Calculation for Uniform Illumination

Micromirror array temperature cannot be measured directly; therefore it must be computed analytically from measurement points (Figure 16), the package thermal resistance, the electrical power, and the illumination heat load. The relationship between micromirror array temperature and the case temperature are provided by Equation 1 and Equation 2:

$$T_{Array} = T_{Ceramic} + (Q_{Array} \times R_{Array-To-Ceramic}) \tag{1}$$

$$Q_{Array} = Q_{ELE} + Q_{ILL}$$

Where the following elements are defined as:

- $T_{Array}$  = computed micromirror array temperature (°C)
- $T_{Ceramic}$  = Ceramic temperature (°C) (TC2 Location Figure 16)
- $Q_{Array}$  = Total DMD array power (electrical + absorbed) (measured in Watts)
- $R_{Array-To-Ceramic}$  = thermal resistance of DMD package from array to TC2 (°C/Watt) (see [Package Thermal Resistance](#))
- $Q_{ELE}$  = Nominal electrical power (Watts)
- $Q_{ILL}$  = Absorbed illumination energy (Watts) (2)

An example calculation is provided below based on a traditional DLP Video projection system. The electrical power dissipation of the DMD is variable and depends on the voltages, data rates, and operating frequencies. The nominal electrical power dissipation to be used in the calculation is 2.0 Watts. Thus,  $Q_{ELE} = 2.0$  Watts. The absorbed power from the illumination source is variable and depends on the operating state of the mirrors and the intensity of the light source. It's based on modeling and measured data from DLP projection system.

$$Q_{ILL} = C_{L2W} \times SL$$

Where:

- $C_{L2W}$  is a Lumens to Watts constant, and can be estimated at 0.00274 Watt/Lumen
- $SL$  = Screen Lumens nominally measured to be 2000 lumens
- $Q_{array} = 2.0 + (0.00274 \times 2000) = 7.48$  watts, Estimated total power on micromirror Array
- $T_{Ceramic} = 55^{\circ}C$ , assumed system measurement
- $T_{Array}(\text{micromirror active array temperature}) = 55^{\circ}C + (7.48 \text{ watts} \times 0.6^{\circ}C/\text{watt}) = 59.5^{\circ}C$  (3)

## Micromirror Array Temperature Calculation (continued)

For additional explanation of DMD Mechanical and Thermal calculations and considerations please refer to *DLP Series-450 DMD and System Mounting Concepts (DLPA015)*.

### 9.7 Micromirror Landed-on/Landed-Off Duty Cycle

#### 9.7.1 Definition of Micromirror Landed-On/Landed-Off Duty Cycle

The micromirror landed-on/landed-off duty cycle (landed duty cycle) denotes the amount of time (as a percentage) that an individual micromirror is landed in the On-state versus the amount of time the same micromirror is landed in the Off-state.

As an example, a landed duty cycle of 100/0 indicates that the referenced pixel is in the On-state 100% of the time (and in the Off-state 0% of the time); whereas 0/100 would indicate that the pixel is in the Off-state 100% of the time. Likewise, 50/50 indicates that the pixel is On 50% of the time and Off 50% of the time.

Note that when assessing landed duty cycle, the time spent switching from one state (ON or OFF) to the other state (OFF or ON) is considered negligible and is thus ignored.

Since a micromirror can only be landed in one state or the other (On or Off), the two numbers (percentages) always add to 100.

#### 9.7.2 Landed Duty Cycle and Useful Life of the DMD

Knowing the long-term average landed duty cycle (of the end product or application) is important because subjecting all (or a portion) of the DMD's micromirror array (also called the active array) to an asymmetric landed duty cycle for a prolonged period of time can reduce the DMD's usable life.

Note that it is the symmetry/asymmetry of the landed duty cycle that is of relevance. The symmetry of the landed duty cycle is determined by how close the two numbers (percentages) are to being equal. For example, a landed duty cycle of 50/50 is perfectly symmetrical whereas a landed duty cycle of 100/0 or 0/100 is perfectly asymmetrical.

#### 9.7.3 Landed Duty Cycle and Operational DMD Temperature

Operational DMD Temperature and Landed Duty Cycle interact to affect the DMD's usable life, and this interaction can be exploited to reduce the impact that an asymmetrical Landed Duty Cycle has on the DMD's usable life. This is quantified in the de-rating curve shown in [Figure 1](#). The importance of this curve is that:

- All points along this curve represent the same usable life.
- All points above this curve represent lower usable life (and the further away from the curve, the lower the usable life).
- All points below this curve represent higher usable life (and the further away from the curve, the higher the usable life).

In practice, this curve specifies the Maximum Operating DMD Temperature that the DMD should be operated at for a give long-term average Landed Duty Cycle.

#### 9.7.4 Estimating the Long-Term Average Landed Duty Cycle of a Product or Application

During a given period of time, the Landed Duty Cycle of a given pixel follows from the image content being displayed by that pixel.

For example, in the simplest case, when displaying pure-white on a given pixel for a given time period, that pixel will experience a 100/0 Landed Duty Cycle during that time period. Likewise, when displaying pure-black, the pixel will experience a 0/100 Landed Duty Cycle.

Between the two extremes (ignoring for the moment color and any image processing that may be applied to an incoming image), the Landed Duty Cycle tracks one-to-one with the gray scale value, as shown in [Table 1](#).

**Table 1. Grayscale Value and Landed Duty Cycle**

GRAYSCALE VALUE	LANDED DUTY CYCLE
0%	0/100
10%	10/90
20%	20/80
30%	30/70
40%	40/60
50%	50/50
60%	60/40
70%	70/30
80%	80/20
90%	90/10
100%	100/0

Accounting for color rendition (but still ignoring image processing) requires knowing both the color intensity (from 0% to 100%) for each constituent primary color (red, green, and/or blue) for the given pixel as well as the color cycle time for each primary color, where “color cycle time” is the total percentage of the frame time that a given primary must be displayed in order to achieve the desired white point.

During a given period of time, the landed duty cycle of a given pixel can be calculated as follows:

$$\text{Landed Duty Cycle} = (\text{Red\_Cycle\_}\% \times \text{Red\_Scale\_Value}) + (\text{Green\_Cycle\_}\% \times \text{Green\_Scale\_Value}) + (\text{Blue\_Cycle\_}\% \times \text{Blue\_Scale\_Value})$$

where

- Red\_Cycle\_%, Green\_Cycle\_%, and Blue\_Cycle\_%, represent the percentage of the frame time that Red, Green, and Blue are displayed (respectively) to achieve the desired white point. (4)

For example, assume that the red, green and blue color cycle times are 50%, 20%, and 30% respectively (in order to achieve the desired white point), then the Landed Duty Cycle for various combinations of red, green, blue color intensities would be as shown in [Table 2](#).

**Table 2. Example Landed Duty Cycle for Full-Color**

Red Cycle Percentage 50%	Green Cycle Percentage 20%	Blue Cycle Percentage 30%	Landed Duty Cycle
Red Scale Value	Green Scale Value	Blue Scale Value	
0%	0%	0%	0/100
100%	0%	0%	50/50
0%	100%	0%	20/80
0%	0%	100%	30/70
12%	0%	0%	6/94
0%	35%	0%	7/93
0%	0%	60%	18/82
100%	100%	0%	70/30
0%	100%	100%	50/50
100%	0%	100%	80/20
12%	35%	0%	13/87
0%	35%	60%	25/75
12%	0%	60%	24/76
100%	100%	100%	100/0

## 10 Application and Implementation

---

### NOTE

Information in the following applications sections is not part of the TI component specification, and TI does not warrant its accuracy or completeness. TI's customers are responsible for determining suitability of components for their purposes. Customers should validate and test their design implementation to confirm system functionality.

---

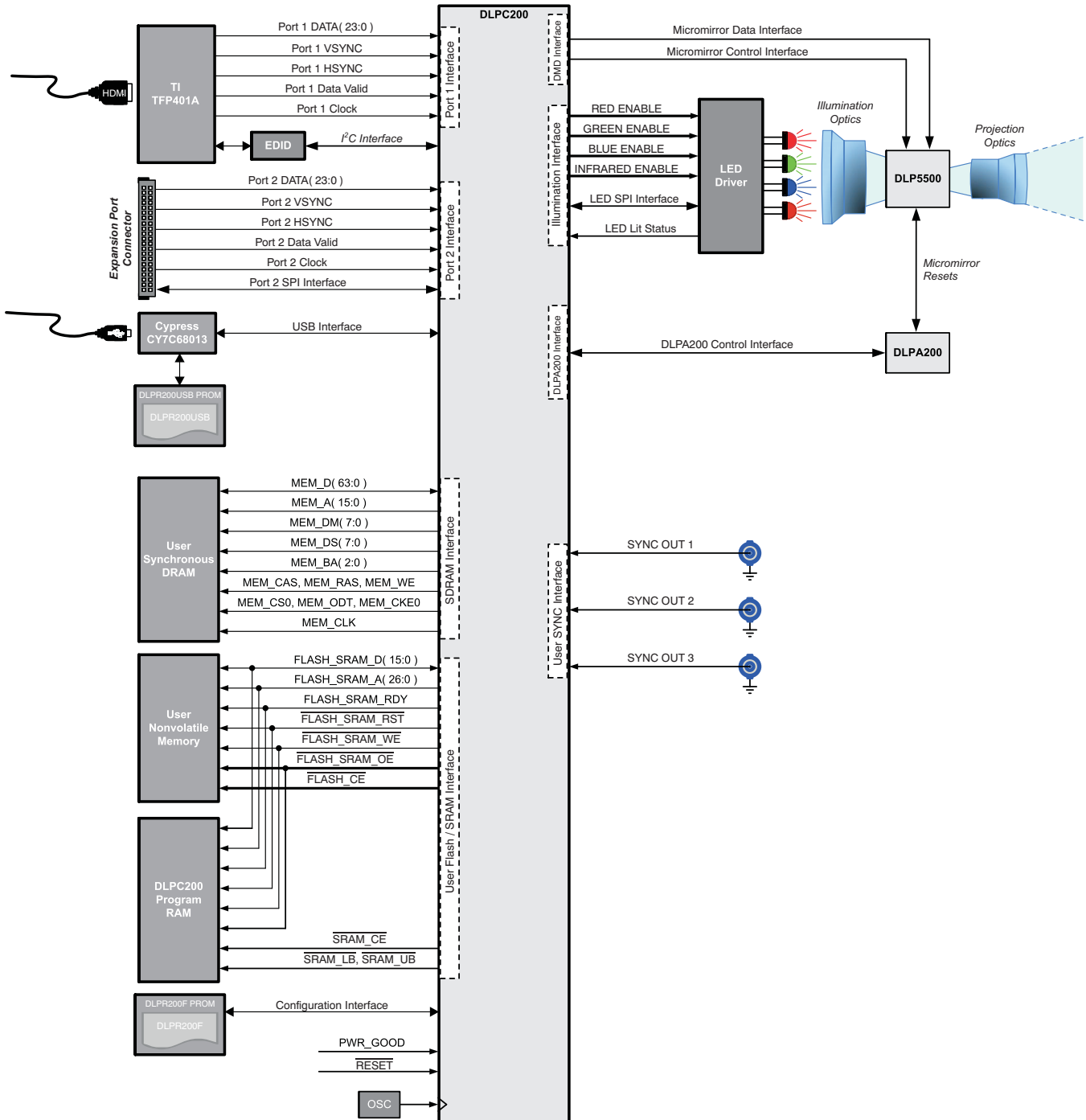
### 10.1 Application Information

The DLP5500 (0.55-inch XGA DMD) is controlled by the DLPC200 controller in conjunction with the DLPA200 driver. This combination can be used for a number of applications from 3D printers to microscopes.

The most common application is for 3D structured light measurement applications. In this application, patterns (binary, grayscale, or even full color) are projected onto the target and the distortion of the patterns are recorded by an imaging device to extract 3D (x, y, z) surface information.

## 10.2 Typical Application

A schematic is shown in [Figure 17](#) for projecting RGB and IR structured light patterns onto a measurement target. Typically, an imaging device is triggered through one of the three syncs to record the data as each pattern is displayed.



**Figure 17. Typical RGB + IR Structured Light Application**

## Typical Application (continued)

### 10.2.1 Design Requirements

All applications using the DLP 0.55-inch XGA chipset require the DLPC200 controller, the DLPA200 driver, and the DLP5500 DMD for correct operation. The system also requires user supplied SRAM and a configuration PROM programmed with the DLPR200F program file and a 50-MHz oscillator is for operation. For further details, refer to the DLPC200 controller data sheet ([DLPS014](#)) and the DLPA200 analog driver data sheet ([DLPS015](#)).

### 10.2.2 Detailed Design Procedure

#### 10.2.2.1 DLP5500 System Interface

Images are displayed on the DLP5500 via the DLPC200 controller and the DLPA200 driver. The DLP5500 interface consists of a 200-MHz (nominal) half-bus DDR input-only interface with LVDS signaling. The serial communications port (SCP), 125-kHz nominal, is used by the DLPC200 to read or write control data to both the DLP5500 and the DLPA200. The following listed signals support data transfer to the DLP5500 and DLPA200.

- DMD, 200 MHz
  - DMD\_CLK\_AP, DMD\_CLK\_AN – DMD clock for A
  - DMD\_CLK\_BP, DMD\_CLK\_BN – DMD clock for B
  - DMD\_DAT\_AP, DMD\_DAT\_AN(1, 3, 5, 7, 9, 11, 13, 15) – Data bus A (odd-numbered pins are used for half-bus)
  - DMD\_DAT\_BP, DMD\_DAT\_BN(1, 3, 5, 7, 9, 11, 13, 15) – Data bus B (odd-numbered pins are used for half-bus)
  - DMD\_SCRTL\_AP, DMD\_SCRTL\_AN – S-control for A
  - DMD\_SCRTL\_BP, DMD\_SCRTL\_BN – S-control for B
- DLPA200, 125 kHz
  - SCP\_DMD\_RST\_CLK – SCP clock
  - SCP\_DMD\_EN – Enable DMD communication
  - SCP\_RST\_EN – Enable DLPA200 communication
  - SCP\_DMD\_RST\_DI – Input data
  - SCP\_DMD\_RST\_DO – Output data

## 11 Power Supply Recommendations

### 11.1 DMD Power-Up and Power-Down Procedures

The DLP5500 power-up and power-down procedures are defined by the DLPC200 data sheet (DLPS012) and the 0.55 XGA Chipset data sheet (DLPZ004). These procedures must be followed to ensure reliable operation of the device.

**CAUTION**

Failure to adhere to the prescribed power-up and power-down procedures may affect device reliability.

## 12 Layout

### 12.1 Layout Guidelines

The DLP5500 is part of a chipset that is controlled by the DLPC200 in conjunction with the DLPA200. These guidelines are targeted at designing a PCB board with these components.

#### 12.1.1 Impedance Requirements

Signals should be routed to have a matched impedance of 50 Ω ±10% except for LVDS differential pairs (DMD\_DAT\_Xnn, DMD\_DCKL\_Xn, and DMD\_SCTRL\_Xn) and DDR2 differential clock pairs (MEM\_CLK\_nn), which should be matched to 100 Ω ±10% across each pair.

#### 12.1.2 PCB Signal Routing

When designing a PCB board for the DLP5500 controlled by the DLPC200 in conjunction with the DLPA200, the following are recommended:

Signal trace corners should be no sharper than 45°. Adjacent signal layers should have the predominate traces routed orthogonal to each other. TI recommends that critical signals be hand routed in the following order: DDR2 Memory, DMD (LVDS signals), then DLPA200 signals.

TI does not recommend signal routing on power or ground planes.

TI does not recommend ground plane slots.

High speed signal traces should not cross over slots in adjacent power and/or ground planes.

**Table 3. LVDS Trace Constraints**

Signal	Constraints
LVDS (DMD_DAT_xnn, DMD_DCKL_xn, and DMD_SCTRL_xn)	P-to-N data, clock, and SCTRL: <10 mils (0.25 mm); Pair-to-pair <10 mils (0.25 mm); Bundle-to-bundle <2000 mils (50 mm, for example DMD_DAT_Ann to DMD_DAT_Bnn). All matching should include internal trace lengths. See <a href="#">Pin Configuration and Functions</a> for internal package trace lengths. Trace width: 4 mil (0.1 mm) Trace spacing: In ball field – 4 mil (0.11 mm); PCB etch – 14 mil (0.36 mm) Maximum recommended trace length <6 inches (150 mm)

**Table 4. Power and Mirror Clocking Pulse Trace Widths and Spacing**

Signal Name	Minimum Trace Width	Minimum Trace Spacing	Layout Requirements
GND	Maximize	5 mil (0.13 mm)	Maximize trace width to connecting pin as a minimum
VCC, VCC2	20 mil (0.51 mm)	10 mil (0.25 mm)	
MBRST[15:0]	10 mil (0.25 mm)	10 mil (0.25 mm)	



### 12.1.3 Fiducials

Fiducials for automatic component insertion should be 0.05-inch copper with a 0.1-inch cutout (antipad). Fiducials for optical auto insertion are placed on three corners of both sides of the PCB.

### 12.2 Layout Example

For LVDS (and other differential signal) pairs and groups, it is important to match trace lengths. In the area of the dashed lines, [Figure 18](#) shows correct matching of signal pair lengths with serpentine sections to maintain the correct impedance.

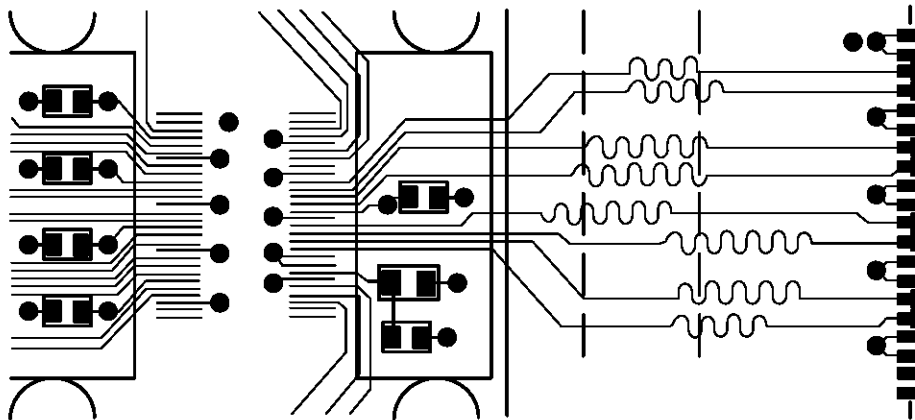


Figure 18. Mitering LVDS Traces to Match Lengths

## 13 Device and Documentation Support

### 13.1 Device Support

#### 13.1.1 Device Nomenclature

The device marking consists of the fields shown in Figure 19.

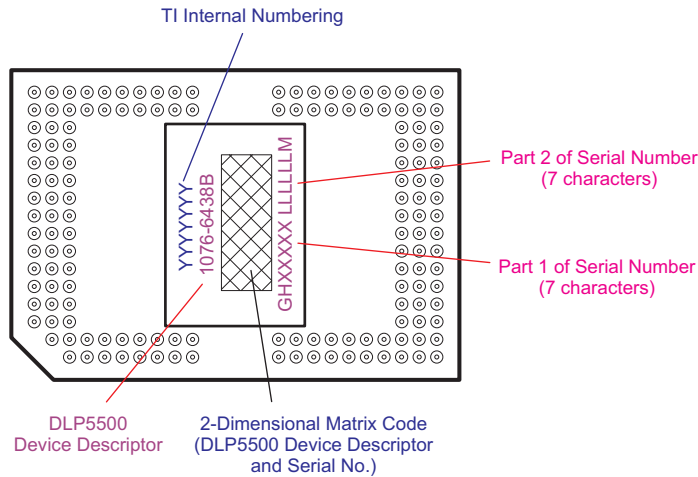


Figure 19. DMD Marking (Device Top View)

### 13.2 Documentation Support

#### 13.2.1 Related Documentation

The following documents contain additional information related to the use of the DLP5500 device:

- DLP 0.55 XGA Chip-Set data sheet [DLPZ004](#)
- DLPC200 Digital Controller data sheet [DLPS014](#)
- DLPA200 DMD Analog Reset Driver [DLPS015](#)
- DLP Series-450 DMD and System Mounting Concepts [DLPA015](#)
- DLPC200 API Reference Manual [DLPA024](#)
- DLPC200 API Programmer's Guide [DLPA014](#)
- s4xx DMD Cleaning Application Note [DLPA025](#)
- s4xx DMD Handling Application Note [DLPA019](#)

#### 13.3 Related Documentation

The table below lists quick access links. Categories include technical documents, support and community resources, tools and software, and quick access to sample or buy.

##### Related Links

PARTS	PRODUCT FOLDER	SAMPLE & BUY	TECHNICAL DOCUMENTS	TOOLS & SOFTWARE	SUPPORT & COMMUNITY
DLPA200	<a href="#">Click here</a>	<a href="#">Click here</a>	<a href="#">Click here</a>	<a href="#">Click here</a>	<a href="#">Click here</a>
DLPC200	<a href="#">Click here</a>	<a href="#">Click here</a>	<a href="#">Click here</a>	<a href="#">Click here</a>	<a href="#">Click here</a>

### 13.4 Community Resources

The following links connect to TI community resources. Linked contents are provided "AS IS" by the respective contributors. They do not constitute TI specifications and do not necessarily reflect TI's views; see TI's [Terms of Use](#).

**TI E2E™ Online Community** *TI's Engineer-to-Engineer (E2E) Community*. Created to foster collaboration

## Community Resources (continued)

among engineers. At [e2e.ti.com](http://e2e.ti.com), you can ask questions, share knowledge, explore ideas and help solve problems with fellow engineers.

**Design Support** *TI's Design Support* Quickly find helpful E2E forums along with design support tools and contact information for technical support.

### 13.5 Trademarks

E2E is a trademark of Texas Instruments.

DLP is a registered trademark of Texas Instruments.

All other trademarks are the property of their respective owners.

### 13.6 Electrostatic Discharge Caution



These devices have limited built-in ESD protection. The leads should be shorted together or the device placed in conductive foam during storage or handling to prevent electrostatic damage to the MOS gates.

### 13.7 Glossary

[SLYZ022](#) — *TI Glossary*.

This glossary lists and explains terms, acronyms, and definitions.

## 14 Mechanical, Packaging, and Orderable Information

The following pages include mechanical, packaging, and orderable information. This information is the most current data available for the designated devices. This data is subject to change without notice and revision of this document. For browser-based versions of this data sheet, refer to the left-hand navigation.

**PACKAGING INFORMATION**

Orderable Device	Status (1)	Package Type	Package Drawing	Pins	Package Qty	Eco Plan (2)	Lead/Ball Finish (6)	MSL Peak Temp (3)	Op Temp (°C)	Device Marking (4/5)	Samples
DLP5500BFYA	ACTIVE	CPGA	FYA	149	5	RoHS & non-Green	NI-PD-AU	N / A for Pkg Type			<a href="#">Samples</a>
DLPA200PFP	ACTIVE	HTQFP	PFP	80	5	Pb-Free (RoHS)	NIPDAU	Level-2-260C-1 YEAR			<a href="#">Samples</a>
DLPC200ZEW	ACTIVE	BGA	ZEW	780	5	Green (RoHS & no Sb/Br)	Call TI	Level-3-260C-168 HR			<a href="#">Samples</a>

(1) The marketing status values are defined as follows:

**ACTIVE:** Product device recommended for new designs.

**LIFEBUY:** TI has announced that the device will be discontinued, and a lifetime-buy period is in effect.

**NRND:** Not recommended for new designs. Device is in production to support existing customers, but TI does not recommend using this part in a new design.

**PREVIEW:** Device has been announced but is not in production. Samples may or may not be available.

**OBsolete:** TI has discontinued the production of the device.

(2) **RoHS:** TI defines "RoHS" to mean semiconductor products that are compliant with the current EU RoHS requirements for all 10 RoHS substances, including the requirement that RoHS substance do not exceed 0.1% by weight in homogeneous materials. Where designed to be soldered at high temperatures, "RoHS" products are suitable for use in specified lead-free processes. TI may reference these types of products as "Pb-Free".

**RoHS Exempt:** TI defines "RoHS Exempt" to mean products that contain lead but are compliant with EU RoHS pursuant to a specific EU RoHS exemption.

**Green:** TI defines "Green" to mean the content of Chlorine (Cl) and Bromine (Br) based flame retardants meet JS709B low halogen requirements of <=1000ppm threshold. Antimony trioxide based flame retardants must also meet the <=1000ppm threshold requirement.

(3) MSL, Peak Temp. - The Moisture Sensitivity Level rating according to the JEDEC industry standard classifications, and peak solder temperature.

(4) There may be additional marking, which relates to the logo, the lot trace code information, or the environmental category on the device.

(5) Multiple Device Markings will be inside parentheses. Only one Device Marking contained in parentheses and separated by a "-" will appear on a device. If a line is indented then it is a continuation of the previous line and the two combined represent the entire Device Marking for that device.

(6) Lead/Ball Finish - Orderable Devices may have multiple material finish options. Finish options are separated by a vertical ruled line. Lead/Ball Finish values may wrap to two lines if the finish value exceeds the maximum column width.

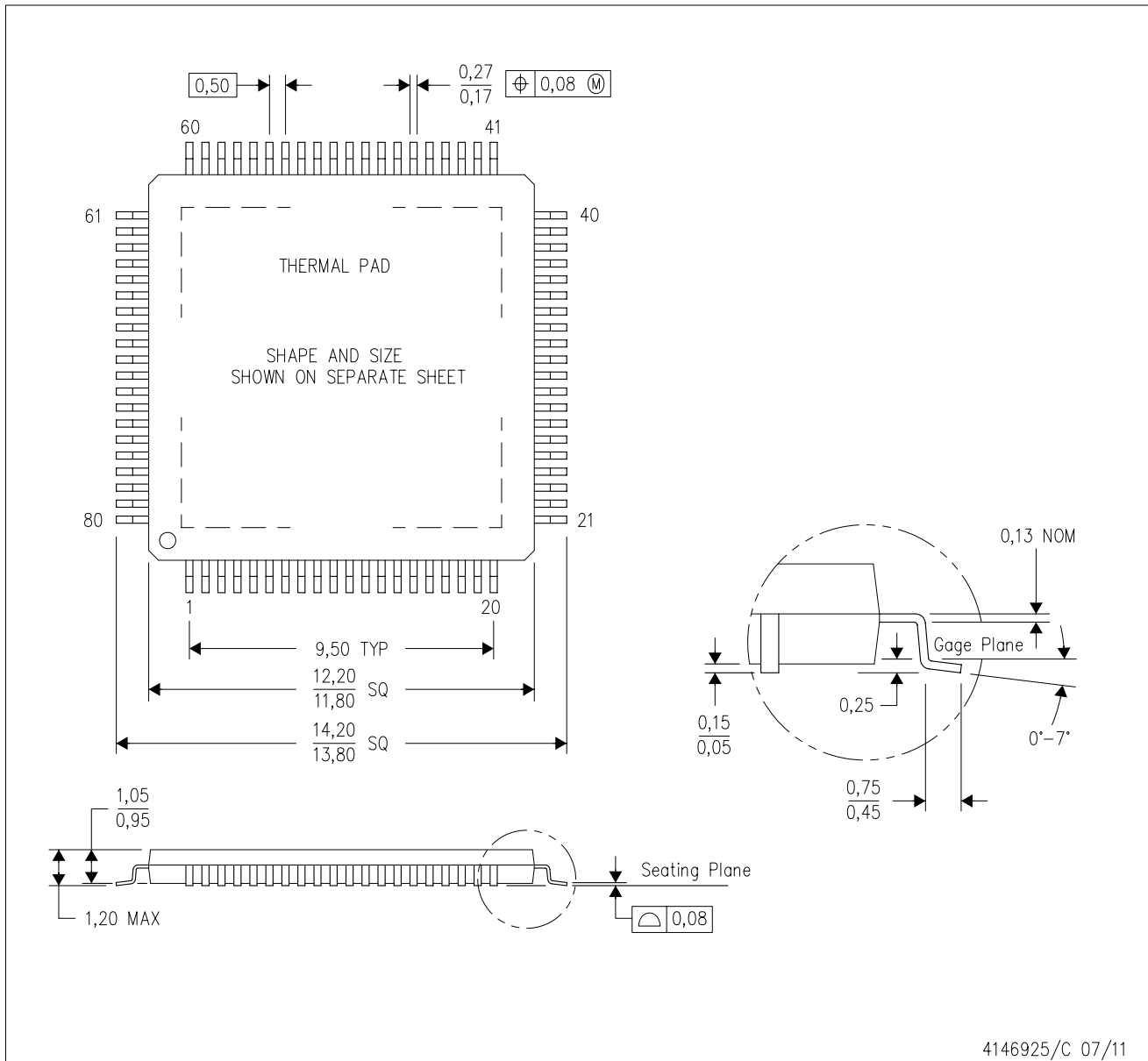
**Important Information and Disclaimer:**The information provided on this page represents TI's knowledge and belief as of the date that it is provided. TI bases its knowledge and belief on information provided by third parties, and makes no representation or warranty as to the accuracy of such information. Efforts are underway to better integrate information from third parties. TI has taken and continues to take reasonable steps to provide representative and accurate information but may not have conducted destructive testing or chemical analysis on incoming materials and chemicals. TI and TI suppliers consider certain information to be proprietary, and thus CAS numbers and other limited information may not be available for release.

In no event shall TI's liability arising out of such information exceed the total purchase price of the TI part(s) at issue in this document sold by TI to Customer on an annual basis.

# MECHANICAL DATA

PFP (S-PQFP-G80)

PowerPAD™ PLASTIC QUAD FLATPACK



- NOTES:
- A. All linear dimensions are in millimeters.
  - B. This drawing is subject to change without notice.
  - C. Body dimensions do not include mold flash or protrusion
  - D. This package is designed to be soldered to a thermal pad on the board. Refer to Technical Brief, PowerPad Thermally Enhanced Package, Texas Instruments Literature No. SLMA002 for information regarding recommended board layout. This document is available at [www.ti.com](http://www.ti.com) <<http://www.ti.com>>.
  - E. See the additional figure in the Product Data Sheet for details regarding the exposed thermal pad features and dimensions.
  - F. Falls within JEDEC MS-026

PowerPAD is a trademark of Texas Instruments.

## THERMAL PAD MECHANICAL DATA

PFP (S-PQFP-G80)

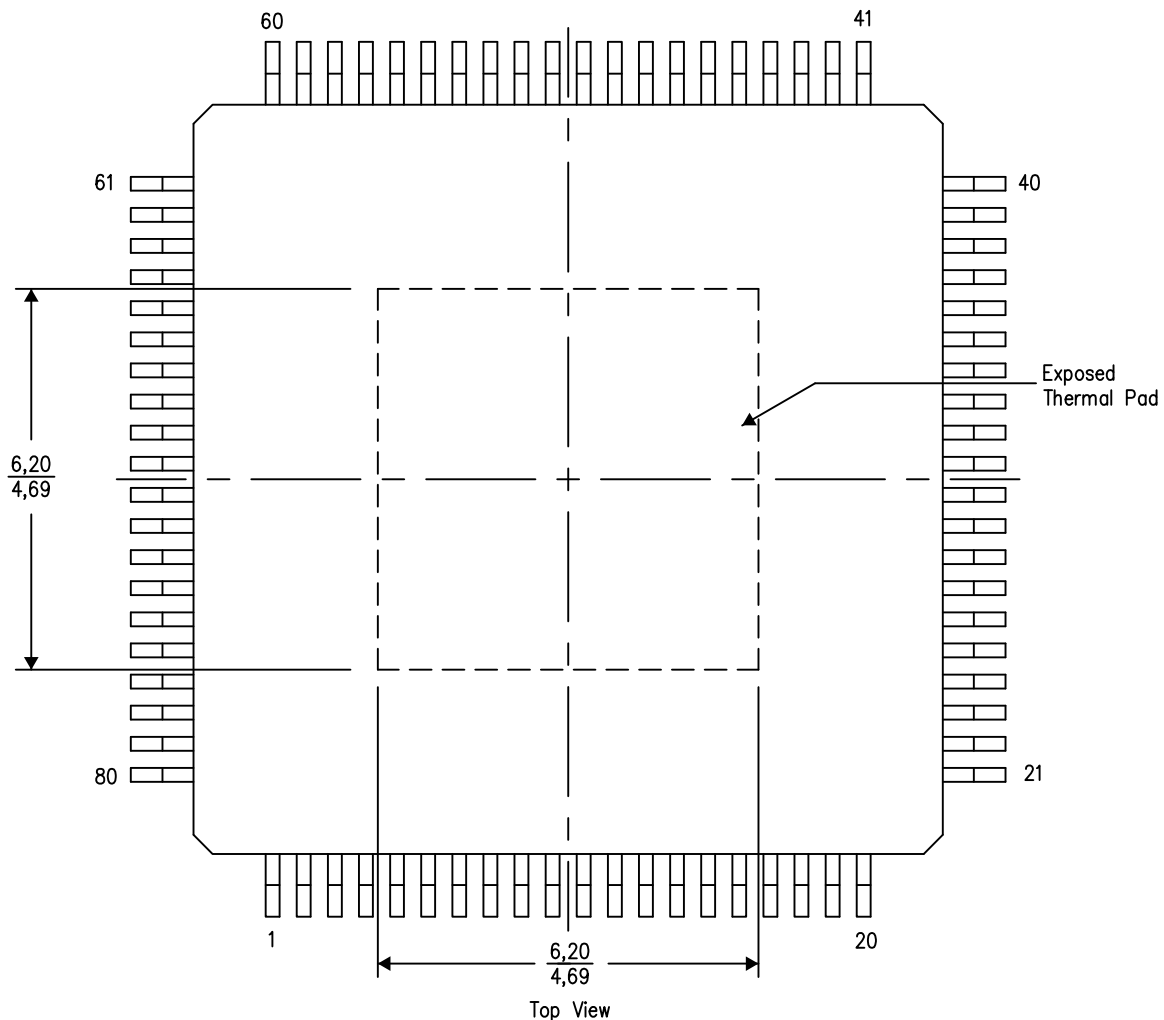
PowerPAD™ PLASTIC QUAD FLATPACK

### THERMAL INFORMATION

This PowerPAD™ package incorporates an exposed thermal pad that is designed to be attached to a printed circuit board (PCB). The thermal pad must be soldered directly to the PCB. After soldering, the PCB can be used as a heatsink. In addition, through the use of thermal vias, the thermal pad can be attached directly to the appropriate copper plane shown in the electrical schematic for the device, or alternatively, can be attached to a special heatsink structure designed into the PCB. This design optimizes the heat transfer from the integrated circuit (IC).

For additional information on the PowerPAD package and how to take advantage of its heat dissipating abilities, refer to Technical Brief, PowerPAD Thermally Enhanced Package, Texas Instruments Literature No. SLMA002 and Application Brief, PowerPAD Made Easy, Texas Instruments Literature No. SLMA004. Both documents are available at [www.ti.com](http://www.ti.com).

The exposed thermal pad dimensions for this package are shown in the following illustration.



4206327-3/P 05/14

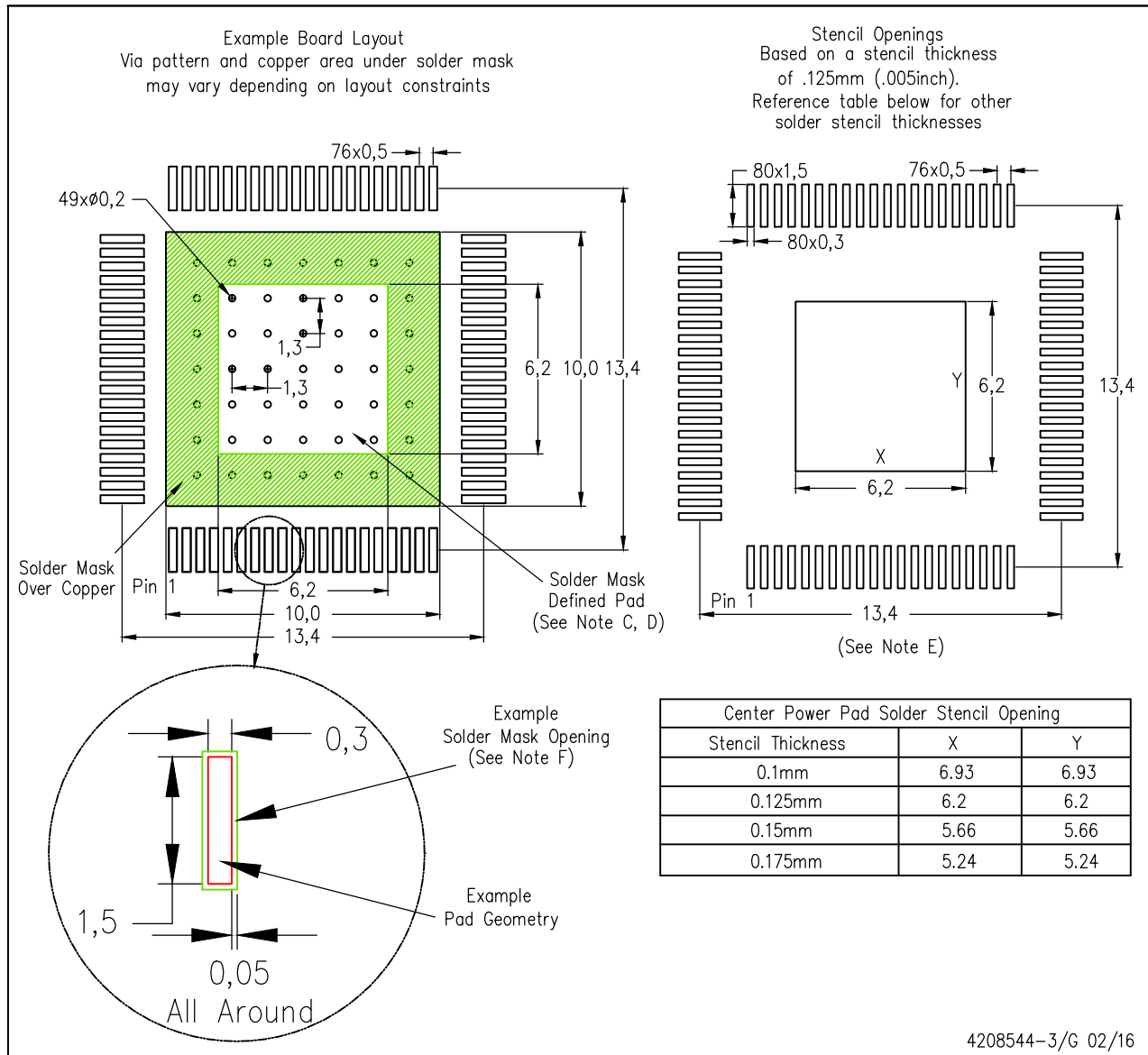
NOTE: A. All linear dimensions are in millimeters

PowerPAD is a trademark of Texas Instruments

# LAND PATTERN DATA

PFP (S-PQFP-G80)

PowerPAD™ PLASTIC QUAD FLATPACK



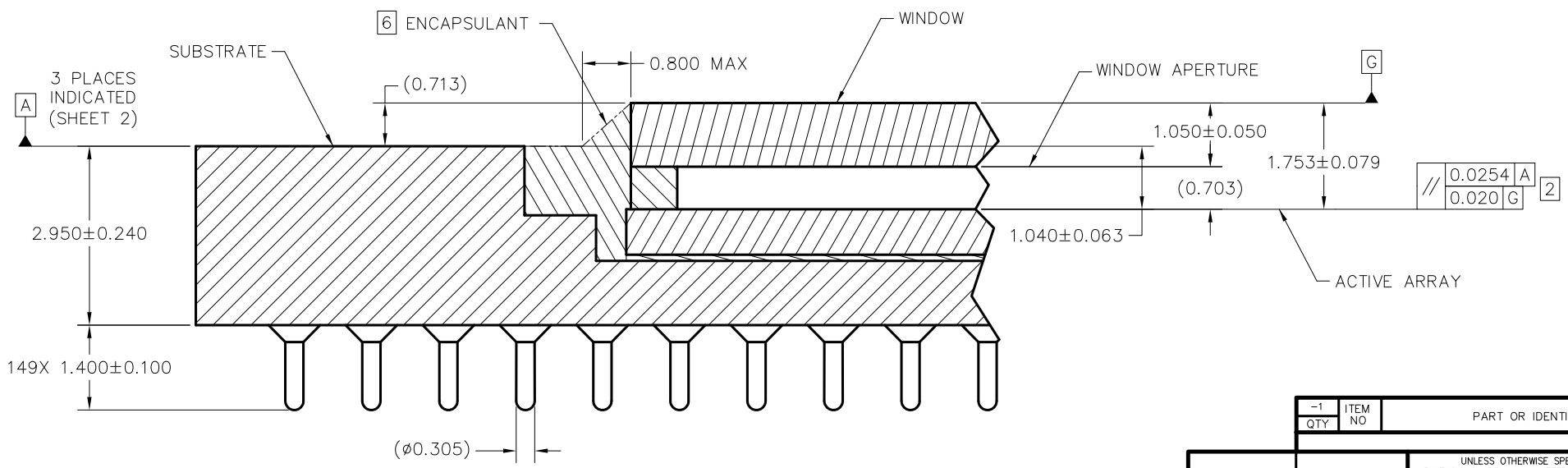
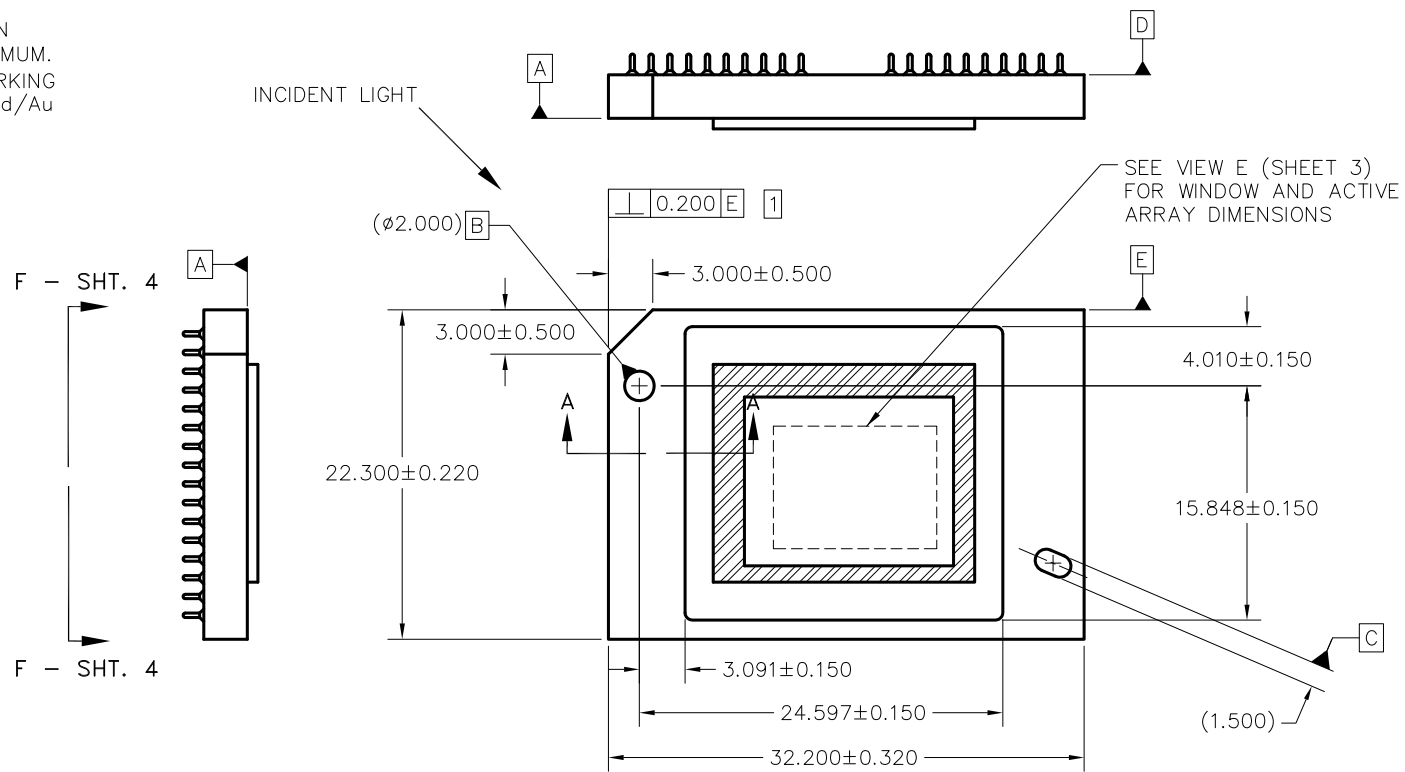
- NOTES:
- All linear dimensions are in millimeters.
  - This drawing is subject to change without notice.
  - Customers should place a note on the circuit board fabrication drawing not to alter the center solder mask defined pad.
  - This package is designed to be soldered to a thermal pad on the board. Refer to Technical Brief, PowerPad Thermally Enhanced Package, Texas Instruments Literature No. SLMA002, SLMA004, and also the Product Data Sheets for specific thermal information, via requirements, and recommended board layout. These documents are available at [www.ti.com](http://www.ti.com) <<http://www.ti.com>>. Publication IPC-7351 is recommended for alternate designs.
  - Laser cutting apertures with trapezoidal walls and also rounding corners will offer better paste release. Customers should contact their board assembly site for stencil design recommendations. Example stencil design based on a 50% volumetric metal load solder paste. Refer to IPC-7525 for other stencil recommendations.
  - Customers should contact their board fabrication site for solder mask tolerances between and around signal pads.
- PowerPAD is a trademark of Texas Instruments.



REVISIONS			
REV	DESCRIPTION	DATE	APPROVED
A	ECO 2121693, INITIAL RELEASE	01/17/2012	F. ARMSTRONG
B	ECO 2123271, CHG TO LARGE SYMBOLIZATION PAD	03/16/2012	F. ARMSTRONG
C	ECO 2135103, ADD NOTE 8 TO SHEETS 1 & 4	08/02/2013	F. ARMSTRONG
D	ECO 2168422, ADD FYA PACKAGE TO TITLE	08/17/17	M. AVERY

NOTES: UNLESS OTHERWISE SPECIFIED:

- 1 SUBSTRATE EDGE PERPENDICULARITY TOLERANCE APPLIES TO ENTIRE SURFACE
- 2 DIE PARALLELISM TOLERANCE APPLIES TO DMD ACTIVE ARRAY ONLY
- 3 ROTATION ANGLE OF DMD ACTIVE ARRAY IS A REFINEMENT OF THE LOCATION TOLERANCE AND HAS A MAXIMUM ALLOWED VALUE OF 0.8 DEGREES
- 4 SUBSTRATE SYMBOLIZATION PAD, AND PLATING AT BOTTOM OF DATUMS B AND C HOLES TO BE ELECTRICALLY CONNECTED TO VSS PLANE WITHIN THE SUBSTRATE
- 5 BOUNDARY MIRRORS SURROUNDING THE DMD ACTIVE AREA
- 6 MAXIMUM ENCAPSULANT PROFILE SHOWN
- 7 ENCAPSULANT ALLOWED ON THE SURFACE OF THE CERAMIC IN THE AREA SHOWN IN VIEW B (SHEET 2). ENCAPSULANT SHALL NOT EXCEED 0.200 THICKNESS MAXIMUM.
- 8 SUBSTRATES PLATED WITH Ni/Au SHALL HAVE THE THREE-DIGIT NUMERICAL MARKING IN THE AREA ABOVE THE SYMBOLIZATION PAD. SUBSTRATES PLATED WITH Ni/Pd/Au SHALL HAVE THE MARKING IN THE AREA BELOW THE SYMBOLIZATION PAD.



SECTION A-A  
SCALE 20/1

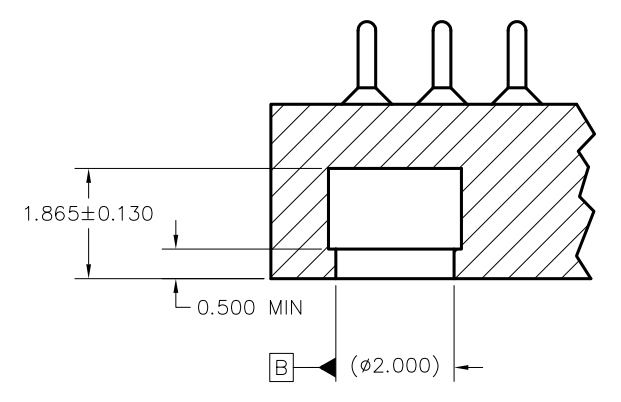
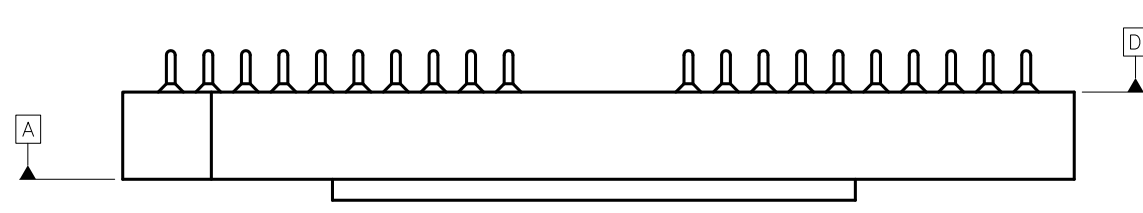
QTY	ITEM NO	PART OR IDENTIFYING NUMBER	NOMENCLATURE OR DESCRIPTION	NOTES
-1				

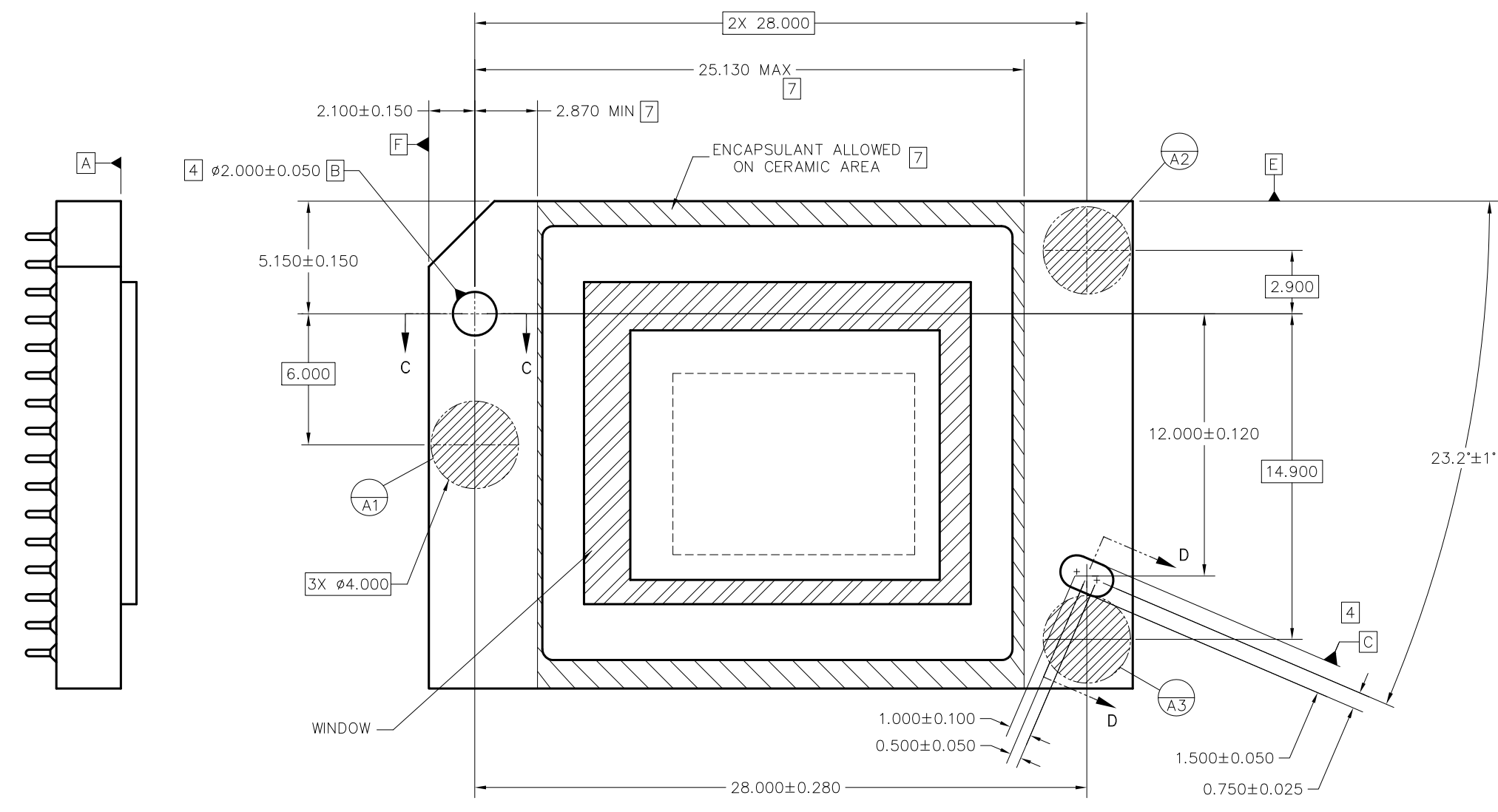
PARTS LIST		DATE	APPROVED
ENGR	F. ARMSTRONG	01/17/12	
QA	P. KONRAD	01/19/12	
COE	M. DORAK	01/19/12	

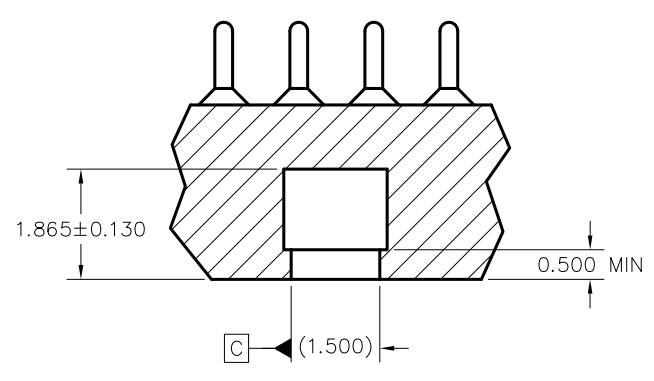
UNLESS OTHERWISE SPECIFIED DIMENSIONS ARE IN MILLIMETERS TOLERANCES: ANGLES ± 1° 2 PLACE DECIMALS ±0.25 3 PLACE DECIMALS ±0.50		TEXAS INSTRUMENTS Dallas, Texas	
REMOVE ALL BURRS AND SHARP EDGES INTERPRET DIMENSIONS IN ACCORDANCE WITH ASME Y14.5-1994 DIMENSIONAL LIMITS APPLY BEFORE PROCESSES PARENTHEetical INFO FOR REF ONLY		ICD, MECHANICAL, DMD .55" XGA 2xLVDS V2 SERIES 450 (FYA PACKAGE)	
THIRD ANGLE PROJECTION	NONE	0314DA	SIZE B
NEXT ASSY	USED ON	APPLICATION	DRAWING NO 2512194
			REV D
			SCALE 4/1
			SHEET 1 OF 4



SECTION C-C  
DATUM B  
SCALE 16/1



VIEW B  
DATUMS AND ENCAPSULANT ALLOWABLE AREA  
SCALE 8/1



SECTION D-D  
DATUM C  
SCALE 16/1

D

D

C

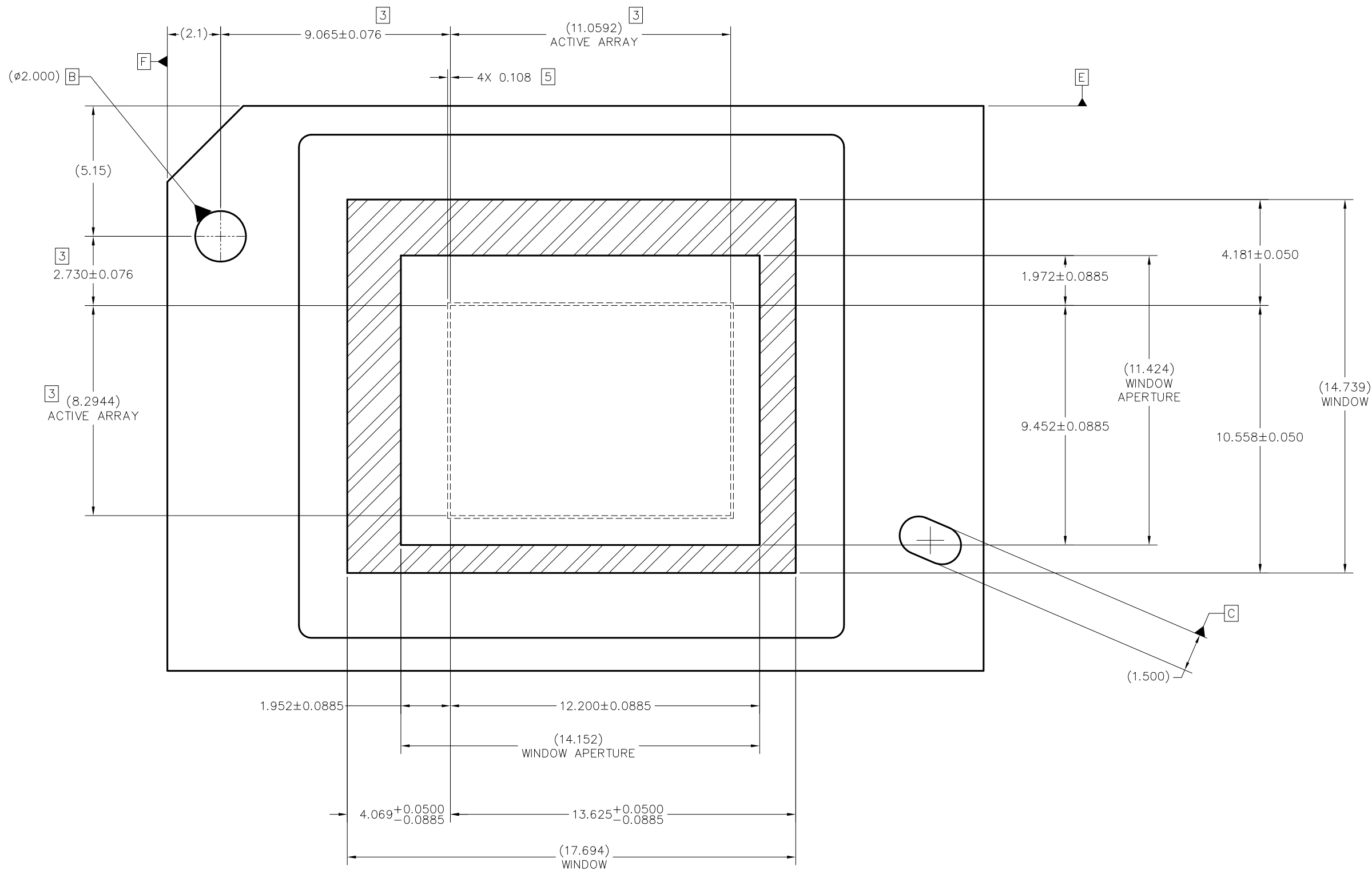
C

B

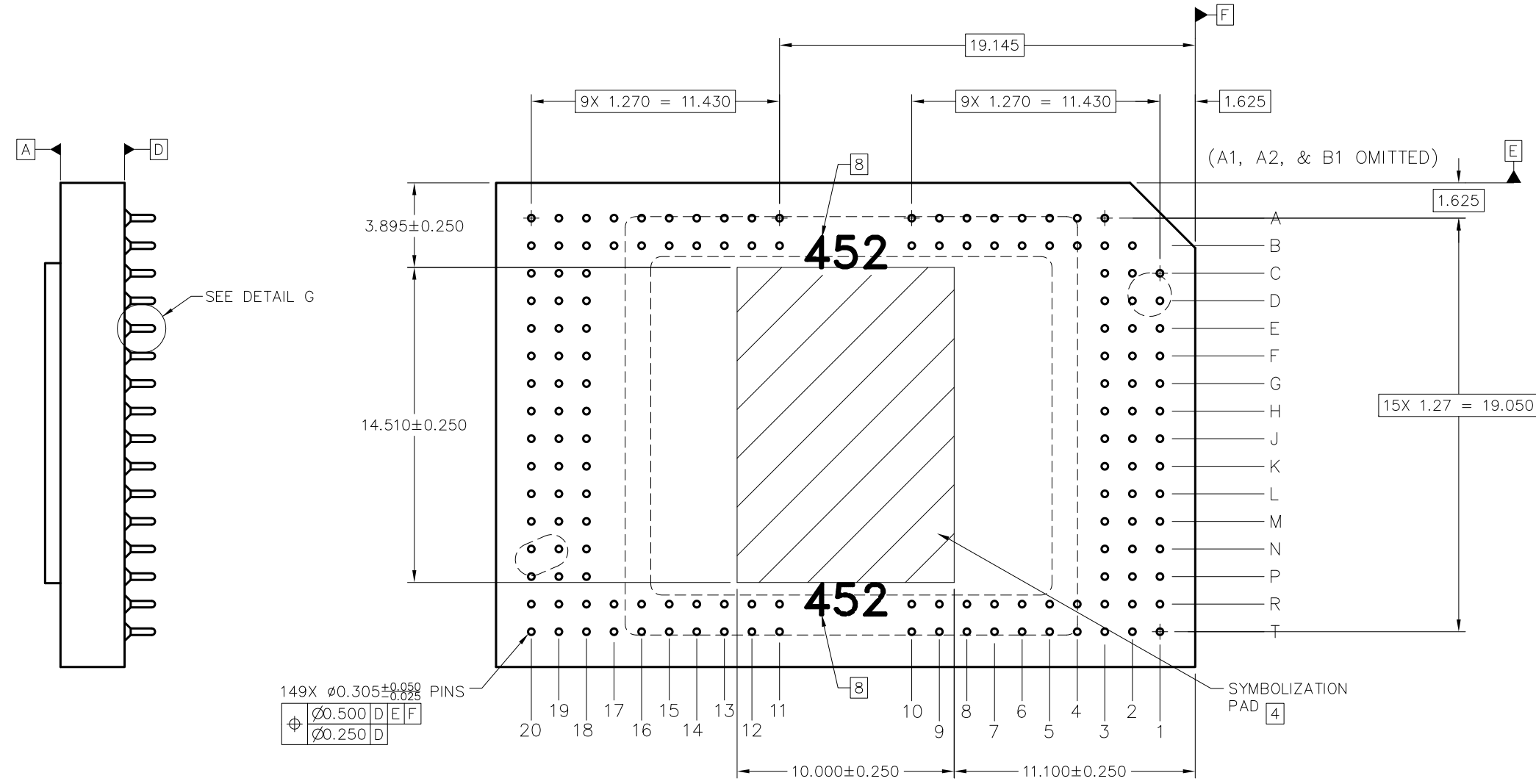
B

A

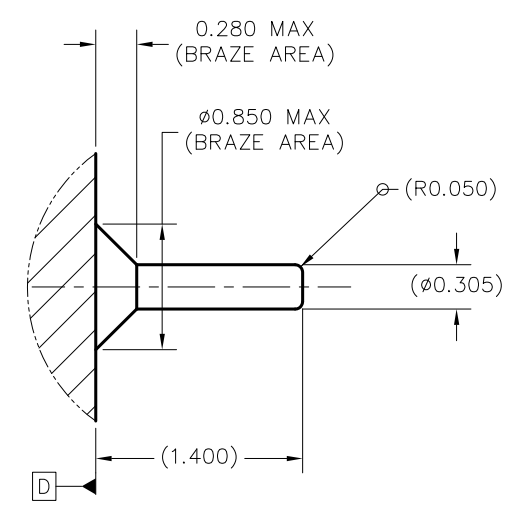
A



VIEW E (SHEET 1)  
 DMD WINDOW AND ACTIVE ARRAY  
 SCALE 12:1



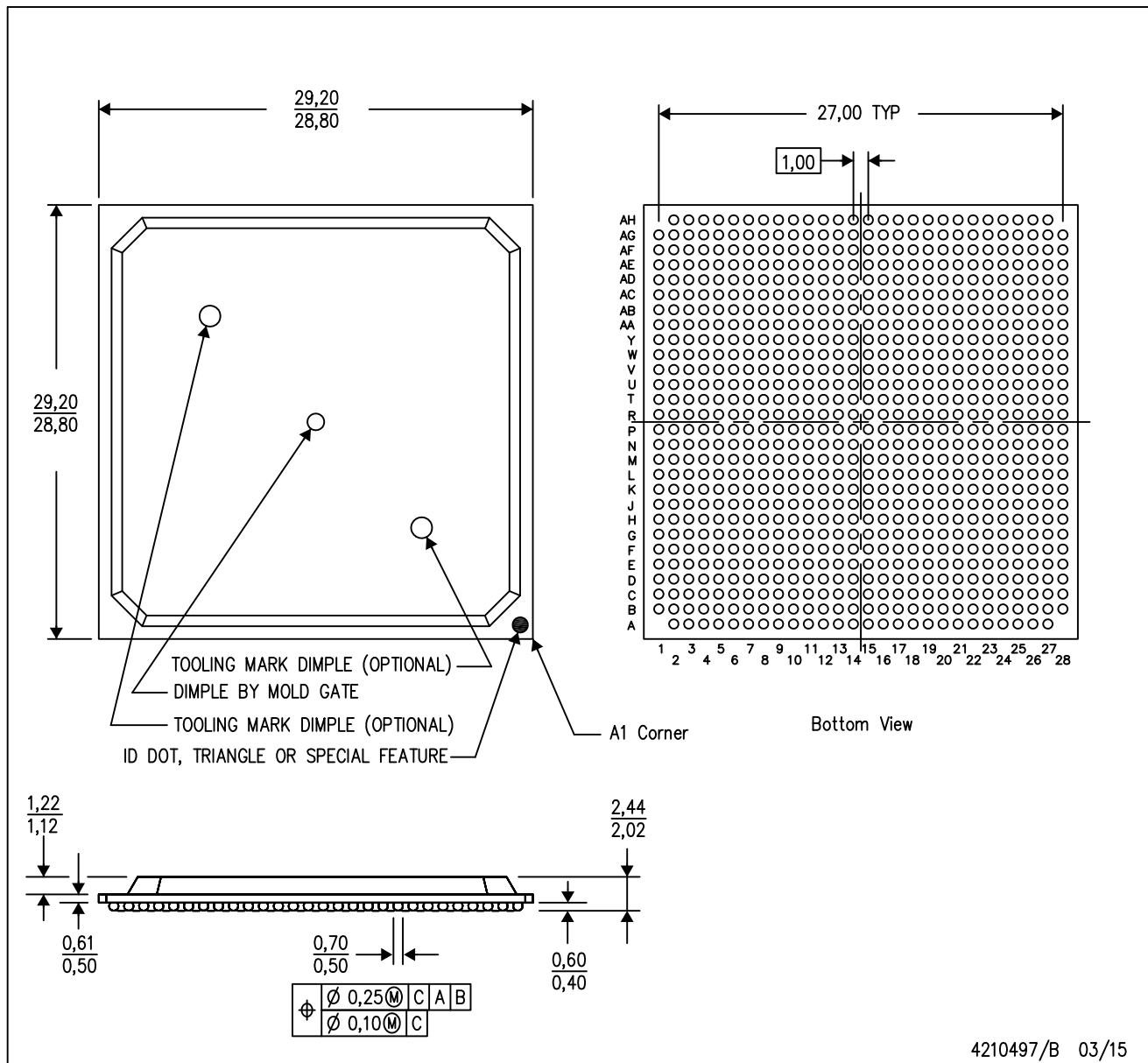
VIEW F-F (SHEET 1)  
PINS AND SYMBOLIZATION PAD  
SCALE 8/1



DETAIL G (149 PLACES)  
PIN & BRAZE DIMENSIONS  
SCALE 40/1

ZEW (S-PBGA-N780)

PLASTIC BALL GRID ARRAY



- NOTES:
- A. All linear dimensions are in millimeters. Dimensioning and tolerancing per ASME Y14.5M-1994.
  - B. This drawing is subject to change without notice.
  - C. Falls within JEDEC MS-034, Variation: AAM-1.
  - D. This package is Pb-free.

## IMPORTANT NOTICE AND DISCLAIMER

TI PROVIDES TECHNICAL AND RELIABILITY DATA (INCLUDING DATASHEETS), DESIGN RESOURCES (INCLUDING REFERENCE DESIGNS), APPLICATION OR OTHER DESIGN ADVICE, WEB TOOLS, SAFETY INFORMATION, AND OTHER RESOURCES "AS IS" AND WITH ALL FAULTS, AND DISCLAIMS ALL WARRANTIES, EXPRESS AND IMPLIED, INCLUDING WITHOUT LIMITATION ANY IMPLIED WARRANTIES OF MERCHANTABILITY, FITNESS FOR A PARTICULAR PURPOSE OR NON-INFRINGEMENT OF THIRD PARTY INTELLECTUAL PROPERTY RIGHTS.

These resources are intended for skilled developers designing with TI products. You are solely responsible for (1) selecting the appropriate TI products for your application, (2) designing, validating and testing your application, and (3) ensuring your application meets applicable standards, and any other safety, security, or other requirements. These resources are subject to change without notice. TI grants you permission to use these resources only for development of an application that uses the TI products described in the resource. Other reproduction and display of these resources is prohibited. No license is granted to any other TI intellectual property right or to any third party intellectual property right. TI disclaims responsibility for, and you will fully indemnify TI and its representatives against, any claims, damages, costs, losses, and liabilities arising out of your use of these resources.

TI's products are provided subject to TI's Terms of Sale ([www.ti.com/legal/termsofsale.html](http://www.ti.com/legal/termsofsale.html)) or other applicable terms available either on [ti.com](http://ti.com) or provided in conjunction with such TI products. TI's provision of these resources does not expand or otherwise alter TI's applicable warranties or warranty disclaimers for TI products.

Mailing Address: Texas Instruments, Post Office Box 655303, Dallas, Texas 75265  
Copyright © 2020, Texas Instruments Incorporated