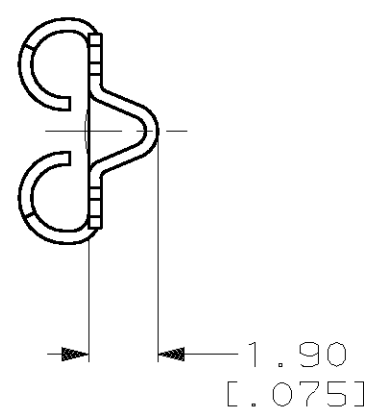
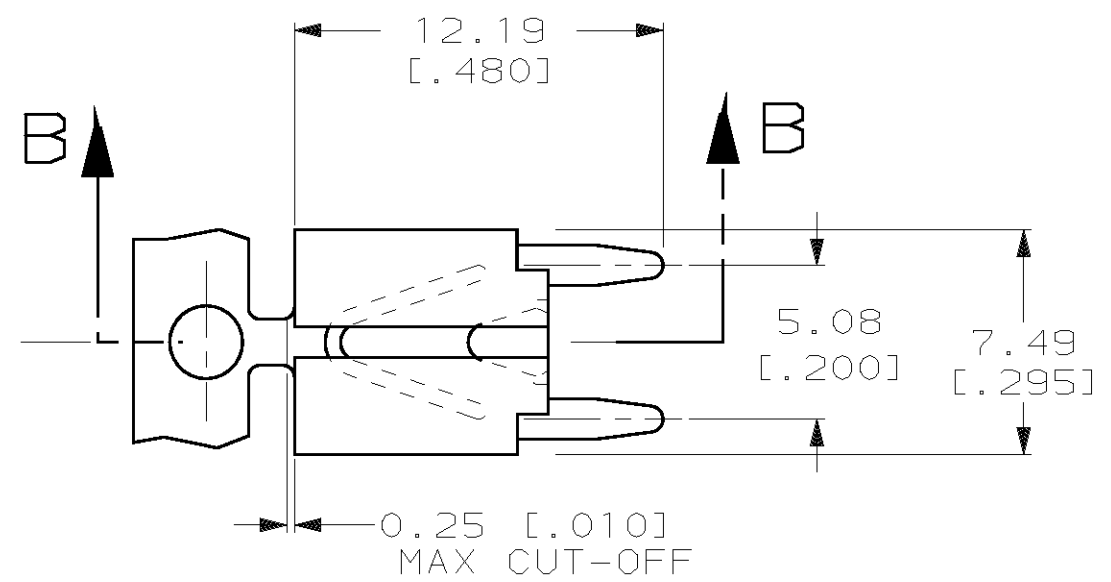
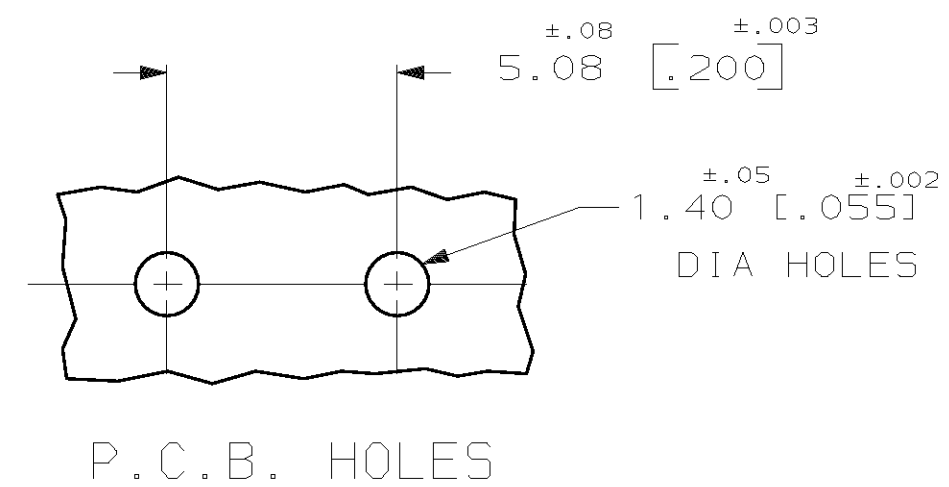
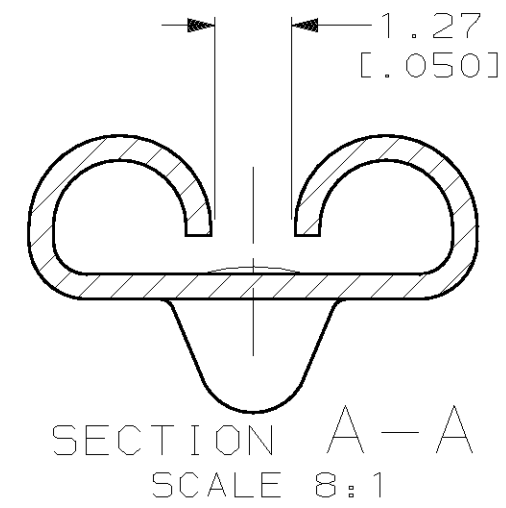
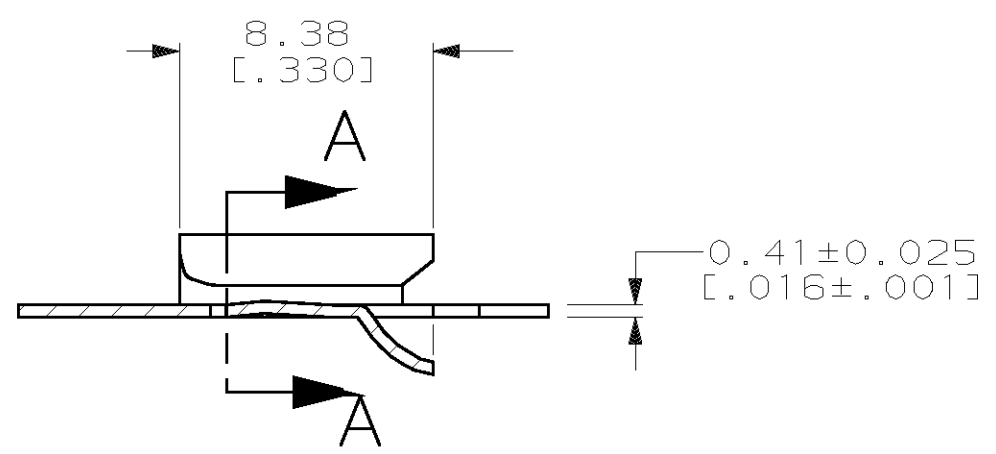


THIS DRAWING IS UNPUBLISHED. RELEASED FOR PUBLICATION, 19 .
© COPYRIGHT 19 BY AMP INCORPORATED. ALL INTERNATIONAL RIGHTS RESERVED.

LOC	DIST	P	F	ZONE	LTR	DESCRIPTION	DATE	APPD
AF	50				C	REV PER 061A-0131-98	5/13/98	JR/JW



- 1 CONTINUOUS STRIP ON REELS.
- 2 0.00254 [.000100] MIN THK TIN OVER 0.00127 [.000050] MIN NICKEL.
- 3 MATING TAB THK IS 0.81±0.025 [.032±.001].



63968-1

PART NO

DO NOT SCALE PRINT. UNLESS SPECIFIED DIMENSIONS IN mm [INCHES] TOLERANCES ON: 2 PLC DEC ± 0.25 [.010] 3 PLC DEC ± - ANGLES ± -	DR 2/18/97 JR RUTH
	CHK 2/18/97 MS FEHER
MATERIAL H04 BRASS	APPD 2/18/97 P DESANTIS
	APPD 2/18/97 V KARABCIEVSCHY
FINISH TIN OVER NICKEL	PRODUCT SPEC -
	APPLICATION SPEC -
	WEIGHT -

AMP Incorporated Harrisburg, PA 17105-3608		
SIZE B	CAGE CODE 00779	DRAWING NO C-63968
SCALE 4:1	SHEET 1 OF 1	

THIS DRAWING IS A CONTROLLED DOCUMENT FOR AMP INCORPORATED. IT IS SUBJECT TO CHANGE AND THE CONTROLLING ENGINEERING ORGANIZATION SHOULD BE CONTACTED FOR THE LATEST REVISION.

Mouser Electronics

Authorized Distributor

Click to View Pricing, Inventory, Delivery & Lifecycle Information:

[TE Connectivity:](#)

[63968-1](#)