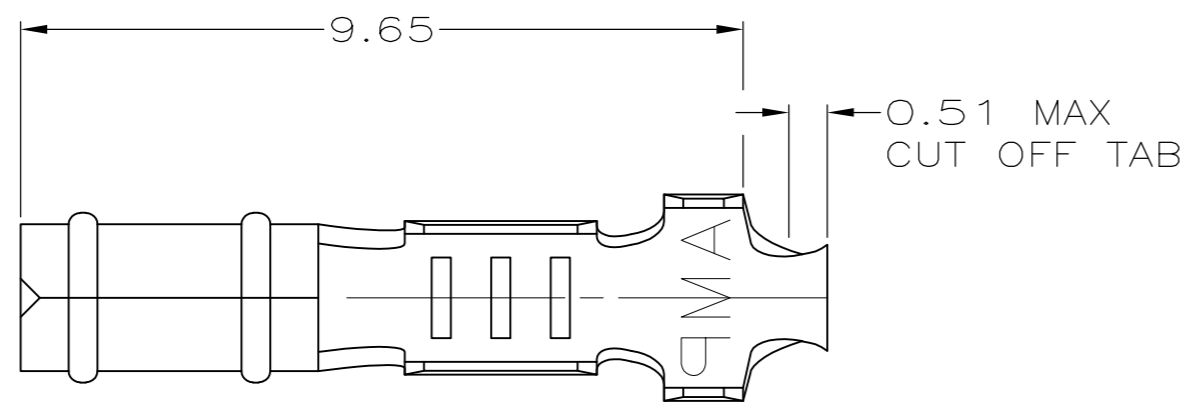


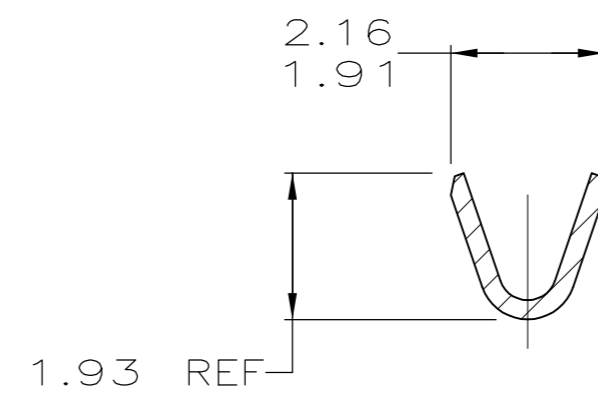
THIS DRAWING IS UNPUBLISHED. RELEASED FOR PUBLICATION  
 © COPYRIGHT - By - ALL RIGHTS RESERVED.

LOC		DIST		REVISIONS			
P	LTR	DESCRIPTION		DATE	DWN	APVD	
CM	52	AE1		REVISED PER ECO-11-004917	11MAR11	RK HMR	

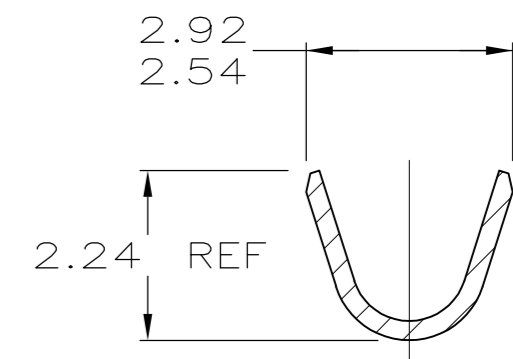
- ① 0.00038 MIN SELECTIVE GOLD PLATING ON INSIDE OF RECEPTACLE AND WIRE BARREL OVER NICKEL OVER ALL UNDERPLATE.
- ② 0.00076 MIN SELECTIVE GOLD PLATING ON INSIDE OF RECEPTACLE AND WIRE BARREL OVER NICKEL OVER ALL UNDERPLATE.
- 3. WIRE RANGE: 0.2 - 0.6 MM<sup>2</sup> (24 - 20 AWG)
- 4. INSULATION RANGE: 1.14 - 1.78



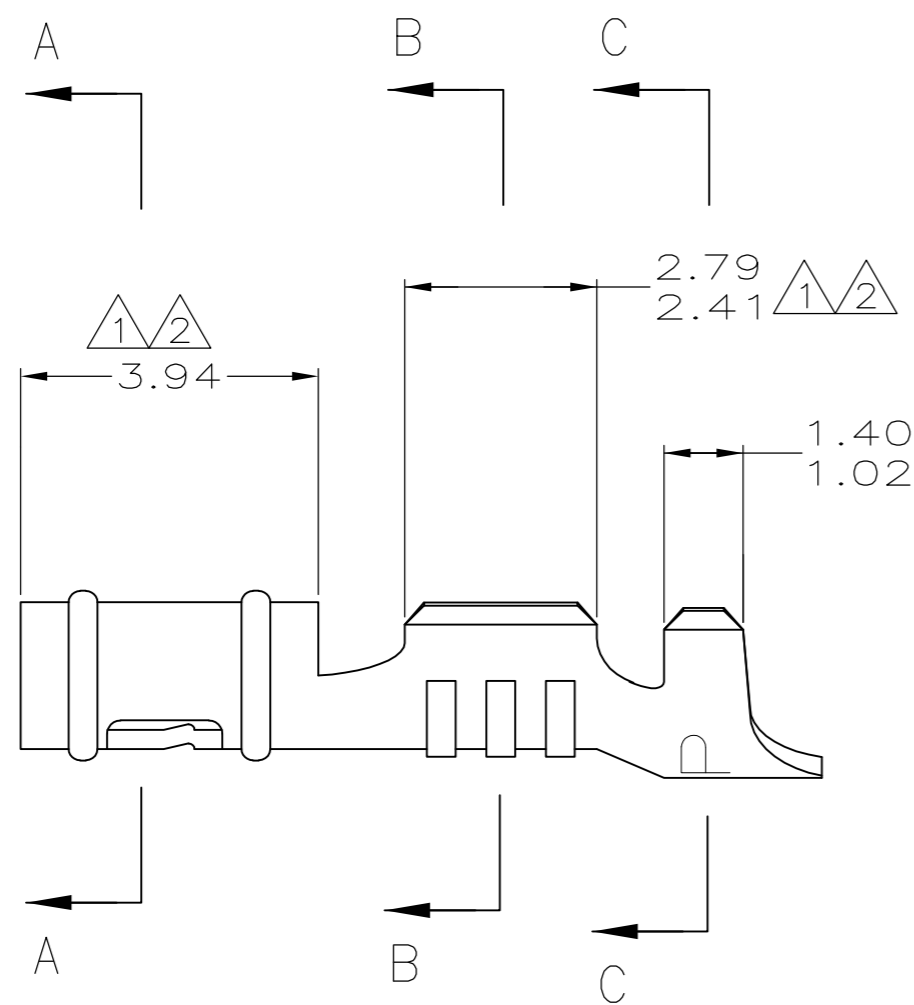
SECTION A-A



SECTION B-B



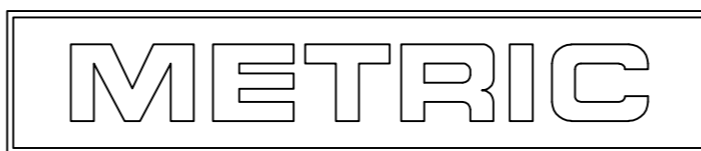
SECTION C-C



①	0.25 BE CU	60789-8
②	0.25 PH BRZ	60789-3
MATTE TIN	0.25 BE CU	60789-2
PRE-TIN	0.25 PH BRZ	60789-1
FINISH	MATERIAL	PART NUMBER

1.02	.040	1.78	.070	2.54	.100	-	-
0.51	.020	1.486	.0585	2.41	.095	-	-
0.25	.010	1.47	.058	2.24	.088	9.65	.380
0.13	.005	1.40	.055	2.16	.085	3.94	.155
0.00076	.000030	1.359	.0535	1.93	.076	2.92	.115
0.00038	.000015	1.14	.045	1.91	.075	2.79	.110
MM	IN	MM	IN	MM	IN	MM	IN

CONVERSION TABLE



THIS DRAWING IS A CONTROLLED DOCUMENT.

DIMENSIONS:	TOLERANCES UNLESS OTHERWISE SPECIFIED:	DWN	6-11-97		TE Connectivity RECEPTACLE, .058 DIAMETER, 24-20 AWG, .045-.070 INSULATION, LOOSE PIECE, P.C. CONTACT		
mm		CHK	6-11-97				
		APVD	6-17-97				
		PRODUCT SPEC					
MATERIAL	FINISH	NAME		SIZE	CAGE CODE	DRAWING NO	RESTRICTED TO
SEE TABLE	SEE TABLE	A. BEDDICK		A2	00779	C-60789	-
		APPLICATION SPEC		WEIGHT			
		108-1025		CUSTOMER DRAWING			
		114-1008		SCALE	10:1	SHEET	1 of 1
		ANGLES ± -		REV	AE1		

# Mouser Electronics

Authorized Distributor

Click to View Pricing, Inventory, Delivery & Lifecycle Information:

[TE Connectivity:](#)

[60789-1](#)