

# CC-E

## Insulation type DC-DC converter

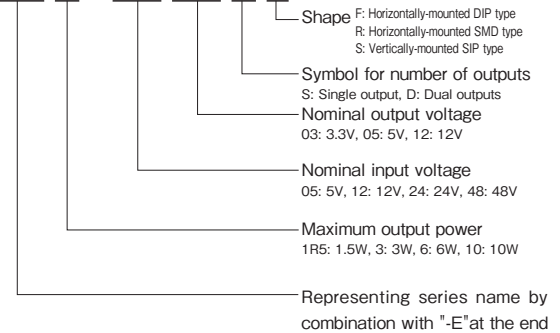


### Features

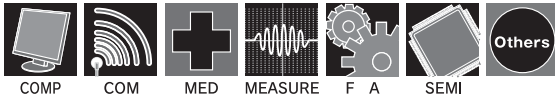
- Mounting area halved compared to existing products
- Nonuse of tantalum capacitor or aluminum electrolytic capacitor
- Remote On/Off function incorporated in all series of products
- High accuracy of  $\pm 3\%$  in output voltage (10W of lower single output)
- 5-side metal-shielded low noise design
- Lightweight design with no resin filled up
- Supports DIP insertion, SMD mounting and SIP vertical insertion (3W products)

### Model-naming method

**CC 3 - 05 05 S F - E**



### Applications



### Product Line up

Output power	Input voltage	Model name (output voltage: 3.3V)				Model name (output voltage: 5V)				Model name (output voltage: 12V/15V)				Model name (output voltage: $\pm 12V/\pm 15V$ )			
		Output current	DIP type	SMD type	SIP type	Output current	DIP type	SMD type	SIP type	Output current	DIP type	SMD type	SIP type	Output current	DIP type	SMD type	SIP type
1.5W	5V	0.4A	CC1R5-0503SF-E	CC1R5-0503SR-E	-	0.3A	CC1R5-0505SF-E	CC1R5-0505SR-E	-	0.125A (0.1A)	CC1R5-0512SF-E	CC1R5-0512SR-E	-	0.06A (0.05A)	CC1R5-0512DF-E	CC1R5-0512DR-E	-
	12V	0.4A	CC1R5-1203SF-E	CC1R5-1203SR-E	-	0.3A	CC1R5-1205SF-E	CC1R5-1205SR-E	-	0.125A (0.1A)	CC1R5-1212SF-E	CC1R5-1212SR-E	-	0.06A (0.05A)	CC1R5-1212DF-E	CC1R5-1212DR-E	-
	24V	0.4A	CC1R5-2403SF-E	CC1R5-2403SR-E	-	0.3A	CC1R5-2405SF-E	CC1R5-2405SR-E	-	0.125A (0.1A)	CC1R5-2412SF-E	CC1R5-2412SR-E	-	0.06A (0.05A)	CC1R5-2412DF-E	CC1R5-2412DR-E	-
	48V	0.4A	CC1R5-4803SF-E	CC1R5-4803SR-E	-	0.3A	CC1R5-4805SF-E	CC1R5-4805SR-E	-	0.125A (0.1A)	CC1R5-4812SF-E	CC1R5-4812SR-E	-	0.06A (0.05A)	CC1R5-4812DF-E	CC1R5-4812DR-E	-
3W	5V	0.8A	CC3-0503SF-E	CC3-0503SR-E	CC3-0503SS-E	0.6A	CC3-0505SF-E	CC3-0505SR-E	CC3-0505SS-E	0.25A (0.2A)	CC3-0512SF-E	CC3-0512SR-E	CC3-0512SS-E	0.125A (0.1A)	CC3-0512DF-E	CC3-0512DR-E	CC3-0512DS-E
	12V	0.8A	CC3-1203SF-E	CC3-1203SR-E	CC3-1203SS-E	0.6A	CC3-1205SF-E	CC3-1205SR-E	CC3-1205SS-E	0.25A (0.2A)	CC3-1212SF-E	CC3-1212SR-E	CC3-1212SS-E	0.125A (0.1A)	CC3-1212DF-E	CC3-1212DR-E	CC3-1212DS-E
	24V	0.8A	CC3-2403SF-E	CC3-2403SR-E	-	0.6A	CC3-2405SF-E	CC3-2405SR-E	CC3-2405SS-E	0.25A (0.2A)	CC3-2412SF-E	CC3-2412SR-E	CC3-2412SS-E	0.125A (0.1A)	CC3-2412DF-E	CC3-2412DR-E	CC3-2412DS-E
	48V	0.8A	CC3-4803SF-E	CC3-4803SR-E	CC3-4803SS-E	0.6A	CC3-4805SF-E	CC3-4805SR-E	CC3-4805SS-E	0.25A (0.2A)	CC3-4812SF-E	CC3-4812SR-E	-	0.125A (0.1A)	CC3-4812DF-E	CC3-4812DR-E	CC3-4812DS-E
6W	5V	1.2A	CC6-0503SF-E	CC6-0503SR-E	-	1A	CC6-0505SF-E	CC6-0505SR-E	-	0.5A (0.4A)	CC6-0512SF-E	CC6-0512SR-E	-	0.25A (0.2A)	CC6-0512DF-E	CC6-0512DR-E	-
	12V	1.2A	CC6-1203SF-E	CC6-1203SR-E	-	1.2A	CC6-1205SF-E	CC6-1205SR-E	-	0.5A (0.4A)	CC6-1212SF-E	CC6-1212SR-E	-	0.25A (0.2A)	CC6-1212DF-E	CC6-1212DR-E	-
	24V	1.2A	CC6-2403SF-E	CC6-2403SR-E	-	1.2A	CC6-2405SF-E	CC6-2405SR-E	-	0.5A (0.4A)	CC6-2412SF-E	CC6-2412SR-E	-	0.25A (0.2A)	CC6-2412DF-E	CC6-2412DR-E	-
	48V	1.2A	CC6-4803SF-E	CC6-4803SR-E	-	1.2A	CC6-4805SF-E	CC6-4805SR-E	-	0.5A (0.4A)	CC6-4812SF-E	CC6-4812SR-E	-	0.25A (0.2A)	CC6-4812DF-E	CC6-4812DR-E	-
10W	5V	2.5A	CC10-0503SF-E	CC10-0503SR-E	-	2A	CC10-0505SF-E	CC10-0505SR-E	-	0.8A (0.6A)	CC10-0512SF-E	CC10-0512SR-E	-	0.4A (0.32A)	CC10-0512DF-E	CC10-0512DR-E	-
	12V	2.5A	CC10-1203SF-E	CC10-1203SR-E	-	2A	CC10-1205SF-E	CC10-1205SR-E	-	1A (0.8A)	CC10-1212SF-E	CC10-1212SR-E	-	0.45A (0.36A)	CC10-1212DF-E	CC10-1212DR-E	-
	24V	2.5A	CC10-2403SF-E	CC10-2403SR-E	-	2A	CC10-2405SF-E	CC10-2405SR-E	-	1A (0.8A)	CC10-2412SF-E	CC10-2412SR-E	-	0.45A (0.36A)	CC10-2412DF-E	CC10-2412DR-E	-
	48V	2.5A	CC10-4803SF-E	CC10-4803SR-E	-	2A	CC10-4805SF-E	CC10-4805SR-E	-	1A (0.8A)	CC10-4812SF-E	CC10-4812SR-E	-	0.45A (0.36A)	CC10-4812DF-E	CC10-4812DR-E	-

# CC1R5-E Specifications

ITEMS/UNITS		MODEL	CC1R5-0503Sx-E	CC1R5-0505Sx-E	CC1R5-0512Sx-E	CC1R5-0512Dx-E		
Input	Nominal Voltage	V	DC5.0					
	Voltage Range	V	DC4.5-9.0					
	Efficiency (typ) (*1)	%	71	77	80	79		
	Current (typ) (*1)	A	0.372	0.390	0.375	0.380		
Output	Nominal Voltage	VDC	3.3	5	12	15	± 12	± 15
	Maximum Current	A	0.400	0.300	0.125	0.100	0.060	0.050
	Maximum Power (*2)	W	1.32		1.5			
	Maximum Line Regulation (Within input voltage range)	mV	20		40		80	
	Maximum Load Regulation (0-100% load) (*3)	mV	40		100		600	
	Temperature Coefficient (Ambient temperature-40°C to +50°C)		80mV		200mV		300mV	
	Max Power Total Regulation (max)(*4)	%	± 3				± 5	
	Maximum Ripple & Noise (typ/max) (*5)	mVp-p	40/120		30/120			
	Voltage Adjustable Range	VDC	3.15-3.6	4.75-6.0	11.4-15.0		± 11.4- ± 15.0	
	Function	Over Current Protection (*6)		Available				
Over Voltage Protection			Not available					
Remote ON/OFF Control			Available					
Environment	Operating Ambient Temperature	°C	-40 to +85					
	Storage Ambient Temperature	°C	-40 to +85					
	Operating Ambient Humidity	% RH	5-95 (the conditions of maximum 38°C in wet bulb temperature and non-condensation should be ensured.)					
	Storage Ambient Humidity	% RH	5-95 (the conditions of maximum 38°C in wet bulb temperature and non-condensation should be ensured.)					
	Vibration		10-55Hz, 15 minutes sweep and 1.52mm total amplitude, 3 directions, 2h for each					
Isolation	Shock		980m/s <sup>2</sup> (100G), 6ms, 6 directions, 3 times for each, in non-operation					
	Withstand Voltage		Between input terminal and case, between input terminal and output terminal, and between output terminal and case: 500VAC (for 1 minute)					
Standards	Isolation Resistance		Between input terminal and output terminal: 500VDC, 50MΩ min					
	Safety Standards		Approved by UL62368-1, CSA62368-1, EN62368-1, UL60950-1, CSA60950-1, EN60950-1. (Expire date of 60950-1: 20/12/2020)					
Mechanical	Weight (typ)	g	3.2					
	Size (W x H x D)	mm	DIP: 16.51 x 8.5 x 16.6 / SMD: 16.51 x 8.8 x 16.6					

Note: "x" in model names is to be replaced by a symbol which represents the terminal configuration (F: DIP/R: SMD) for actual model names.

Note: With nominal input/output voltage, maximum output current, and Ta=25°C, if not specified separately.

Note: For 12V/±12V models, output voltage can be set to 15V/±15V by connecting the output adjustment terminal TRM to -Vout.

Note: For ± 12V model, output voltage can be set to 24V or 30V single output by making the COM terminal open.

(\*1) With nominal input voltage, maximum output current, and Ta=25°C.

(\*2) The maximum output power value is between -40°C and +50°C. For use in outside this temperature range, derating is needed.

(\*3) In balanced load for dual outputs ("balanced load" means a condition where the +output and -output of load current are equal).

(\*4) Output voltage includes input change, load change (balanced load), and temperature change.

(\*5) In 50MHz, Ta=25°C.

(\*6) Output current restriction method. Automatically resumes when the causes are removed. Never operate the unit under output-shortened or overload conditions for over 30 seconds.

ITEMS/UNITS		MODEL	CC1R5-1203Sx-E	CC1R5-1205Sx-E	CC1R5-1212Sx-E	CC1R5-1212Dx-E		
Input	Nominal Voltage	V	DC12					
	Voltage Range	V	DC9.0-18					
	Efficiency (typ) (*1)	%	73	78	82	81		
	Current (typ) (*1)	A	0.151	0.160	0.152	0.154		
Output	Nominal Voltage	VDC	3.3	5	12	15	± 12	± 15
	Maximum Current	A	0.400	0.300	0.125	0.100	0.060	0.050
	Maximum Power (*2)	W	1.32		1.5			
	Maximum Line Regulation (Within input voltage range)	mV	20		40		80	
	Maximum Load Regulation (0-100% load) (*3)	mV	40		100		600	
	Temperature Coefficient (Ambient temperature-40°C to +50°C)		80mV		200mV		300mV	
	Max Power Total Regulation (max)(*4)	%	± 3				± 5	
	Maximum Ripple & Noise (typ/max) (*5)	mVp-p	40/120		30/120			
	Voltage Adjustable Range	VDC	3.15-3.6	4.75-6.0	11.4-15.0		± 11.4 - ± 15.0	
	Function	Over Current Protection (*6)		Available				
Over Voltage Protection			Not available					
Remote ON/OFF Control			Available					
Environment	Operating Ambient Temperature	°C	-40 to +85					
	Storage Ambient Temperature	°C	-40 to +85					
	Operating Ambient Humidity	% RH	5-95 (the conditions of maximum 38°C in wet bulb temperature and non-condensation should be ensured.)					
	Storage Ambient Humidity	% RH	5-95 (the conditions of maximum 38°C in wet bulb temperature and non-condensation should be ensured.)					
	Vibration		10-55Hz, 15 minutes sweep and 1.52mm total amplitude, 3 directions, 2h for each					
Isolation	Shock		980m/s <sup>2</sup> (100G), 6ms, 6 directions, 3 times for each, in non-operation					
	Withstand Voltage		Between input terminal and case, between input terminal and output terminal, and between output terminal and case: 500VAC (for 1 minute)					
Standards	Isolation Resistance		Between input terminal and output terminal: 500VDC, 50MΩ min					
	Safety Standards		Approved by UL62368-1, CSA62368-1, EN62368-1, UL60950-1, CSA60950-1, EN60950-1. (Expire date of 60950-1: 20/12/2020)					
Mechanical	Weight (typ)	g	3.2					
	Size (W x H x D)	mm	DIP: 16.51 x 8.5 x 16.6 / SMD: 16.51 x 8.8 x 16.6					

Note: "x" in model names is to be replaced by a symbol which represents the terminal configuration (F: DIP/R: SMD) for actual model names.

Note: With nominal input/output voltage, maximum output current, and Ta=25°C, if not specified separately.

Note: For 12V/±12V models, output voltage can be set to 15V/±15V by connecting the output adjustment terminal TRM to -Vout.

Note: For ± 12V model, output voltage can be set to 24V or 30V single output by making the COM terminal open.

(\*1) With nominal input voltage, maximum output current, and Ta=25°C.

(\*2) The maximum output power value is between -40°C and +50°C. For use in outside this temperature range, derating is needed.

(\*3) In balanced load for dual outputs ("balanced load" means a condition where the +output and -output of load current are equal).

(\*4) Output voltage includes input change, load change (balanced load), and temperature change.

(\*5) In 50MHz, Ta=25°C.

(\*6) Output current restriction method. Automatically resumes when the causes are removed. Never operate the unit under output-shortened or overload conditions for over 30 seconds.

ITEMS/UNITS		MODEL	CC1R5-2403Sx-E	CC1R5-2405Sx-E	CC1R5-2412Sx-E		CC1R5-2412Dx-E	
Input	Nominal Voltage	V	DC24					
	Voltage Range	V	DC18-36					
	Efficiency (typ) (*1)	%	72	77	81		79	
	Current (typ) (*1)	A	0.076	0.081	0.077		0.079	
Output	Nominal Voltage	VDC	3.3	5	12	15	± 12	± 15
	Maximum Current	A	0.400	0.300	0.125	0.100	0.060	0.050
	Maximum Power (*2)	W	1.32		1.5			
	Maximum Line Regulation (Within input voltage range)	mV	20		40		80	
	Maximum Load Regulation (0-100% load) (*3)	mV	40		100		600	
	Temperature Coefficient (Ambient temperature-40°C to +50°C)		80mV		200mV		300mV	
	Max Power Total Regulation (max) (*4)	%	± 3				± 5	
	Maximum Ripple & Noise (typ/max) (*5)	mVp-p	40/120		30/120			
	Voltage Adjustable Range	VDC	3.15-3.6	4.75-6.0	11.4-15.0		± 11.4 ± 15.0	
	Function	Over Current Protection (*6)		Available				
Over Voltage Protection			Not available					
Remote ON/OFF Control			Available					
Environment	Operating Ambient Temperature	°C	-40 to +85					
	Storage Ambient Temperature	°C	-40 to +85					
	Operating Ambient Humidity	% RH	5-95 (the conditions of maximum 38°C in wet bulb temperature and non-condensation should be ensured.)					
	Storage Ambient Humidity	% RH	5-95 (the conditions of maximum 38°C in wet bulb temperature and non-condensation should be ensured.)					
	Vibration		10-55Hz, 15 minutes sweep and 1.52mm total amplitude, 3 directions, 2h for each					
Isolation	Shock		980m/s <sup>2</sup> (100G), 6ms, 6 directions, 3 times for each, in non-operation					
	Withstand Voltage		Between input terminal and case, between input terminal and output terminal, and between output terminal and case: 500VAC (for 1 minute)					
Standards	Isolation Resistance		Between input terminal and output terminal: 500VDC, 50MΩ min					
	Safety Standards		Approved by UL62368-1, CSA62368-1, EN62368-1, UL60950-1, CSA60950-1, EN60950-1. (Expire date of 60950-1: 20/12/2020)					
Mechanical	Weight (typ)	g	3.2					
	Size (W x H x D)	mm	DIP: 16.51 x 8.5 x 16.6 / SMD: 16.51 x 8.8 x 16.6					

Note: "x" in model names is to be replaced by a symbol which represents the terminal configuration (F: DIP/R: SMD) for actual model names.

Note: With nominal input/output voltage, maximum output current, and Ta=25°C, if not specified separately.

Note: For 12V/±12V models, output voltage can be set to 15V/±15V by connecting the output adjustment terminal TRM to -Vout.

Note: For ± 12V model, output voltage can be set to 24V or 30V single output by making the COM terminal open.

(\*1) With nominal input voltage, maximum output current, and Ta=25°C.

(\*2) The maximum output power value is between -40°C and +50°C. For use in outside this temperature range, derating is needed.

(\*3) In balanced load for dual outputs ("balanced load" means a condition where the +output and -output of load current are equal).

(\*4) Output voltage includes input change, load change (balanced load), and temperature change.

(\*5) In 50MHz, Ta=25°C.

(\*6) Output current restriction method. Automatically resumes when the causes are removed. Never operate the unit under output-shortened or overload conditions for over 30 seconds.

ITEMS/UNITS		MODEL	CC1R5-4803Sx-E	CC1R5-4805Sx-E	CC1R5-4812Sx-E		CC1R5-4812Dx-E	
Input	Nominal Voltage	V	DC48					
	Voltage Range	V	DC36-76					
	Efficiency (typ) (*1)	%	70	76	80		79	
	Current (typ) (*1)	A	0.039	0.041	0.039		0.040	
Output	Nominal Voltage	VDC	3.3	5	12	15	± 12	± 15
	Maximum Current	A	0.400	0.300	0.125	0.100	0.060	0.050
	Maximum Power (*2)	W	1.32		1.5			
	Maximum Line Regulation (Within input voltage range)	mV	20		40		80	
	Maximum Load Regulation (0-100% load) (*3)	mV	40		100		600	
	Temperature Coefficient (Ambient temperature-40°C to +50°C)		80mV		200mV		300mV	
	Max Power Total Regulation (max) (*4)	%	± 3				± 5	
	Maximum Ripple & Noise (typ/max) (*5)	mVp-p	40/120		30/120			
	Voltage Adjustable Range	VDC	3.15-3.6	4.75-6.0	11.4-15.0		± 11.4 ± 15.0	
	Function	Over Current Protection (*6)		Available				
Over Voltage Protection			Not available					
Remote ON/OFF Control			Available					
Environment	Operating Ambient Temperature	°C	-40 to +85					
	Storage Ambient Temperature	°C	-40 to +85					
	Operating Ambient Humidity	% RH	5-95 (the conditions of maximum 38°C in wet bulb temperature and non-condensation should be ensured.)					
	Storage Ambient Humidity	% RH	5-95 (the conditions of maximum 38°C in wet bulb temperature and non-condensation should be ensured.)					
	Vibration		10-55Hz, 15 minutes sweep and 1.52mm total amplitude, 3 directions, 2h for each					
Isolation	Shock		980m/s <sup>2</sup> (100G), 6ms, 6 directions, 3 times for each, in non-operation					
	Withstand Voltage		Between input terminal and case, between input terminal and output terminal, and between output terminal and case: 500VAC (for 1 minute)					
Standards	Isolation Resistance		Between input terminal and output terminal: 500VDC, 50MΩ min					
	Safety Standards		Approved by UL62368-1, CSA62368-1, EN62368-1, UL60950-1, CSA60950-1, EN60950-1. (Expire date of 60950-1: 20/12/2020)					
Mechanical	Weight (typ)	g	3.2					
	Size (W x H x D)	mm	DIP: 16.51 x 8.5 x 16.6 / SMD: 16.51 x 8.8 x 16.6					

Note: "x" in model names is to be replaced by a symbol which represents the terminal configuration (F: DIP/R: SMD) for actual model names.

Note: With nominal input/output voltage, maximum output current, and Ta=25°C, if not specified separately.

Note: For 12V/±12V models, output voltage can be set to 15V/±15V by connecting the output adjustment terminal TRM to -Vout.

Note: For ± 12V model, output voltage can be set to 24V or 30V single output by making the COM terminal open.

(\*1) With nominal input voltage, maximum output current, and Ta=25°C.

(\*2) The maximum output power value is between -40°C and +50°C. For use in outside this temperature range, derating is needed.

(\*3) In balanced load for dual outputs ("balanced load" means a condition where the +output and -output of load current are equal).

(\*4) Output voltage includes input change, load change (balanced load), and temperature change.

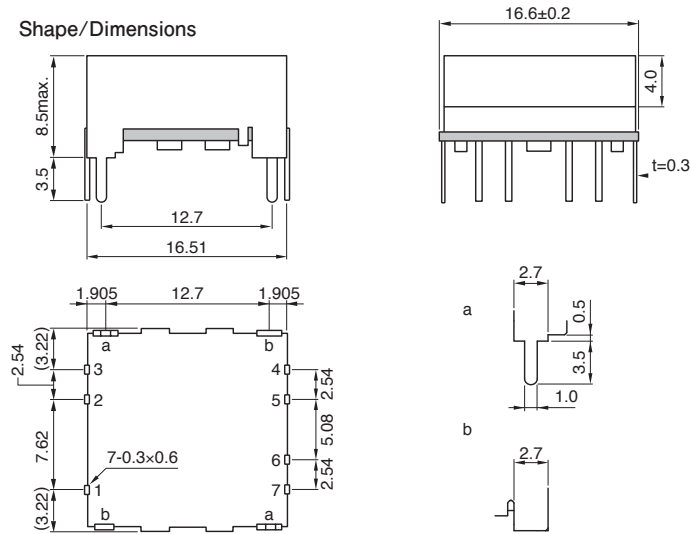
(\*5) In 50MHz, Ta=25°C.

(\*6) Output current restriction method. Automatically resumes when the causes are removed. Never operate the unit under output-shortened or overload conditions for over 30 seconds.

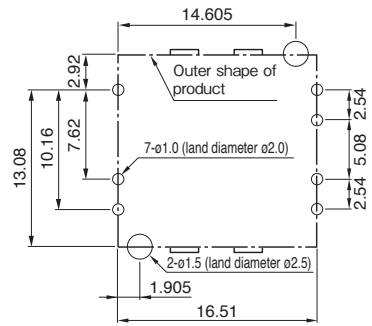
# Outline Drawing

## CC1R5-xxxxxF-E (DIP type)

Shape/Dimensions



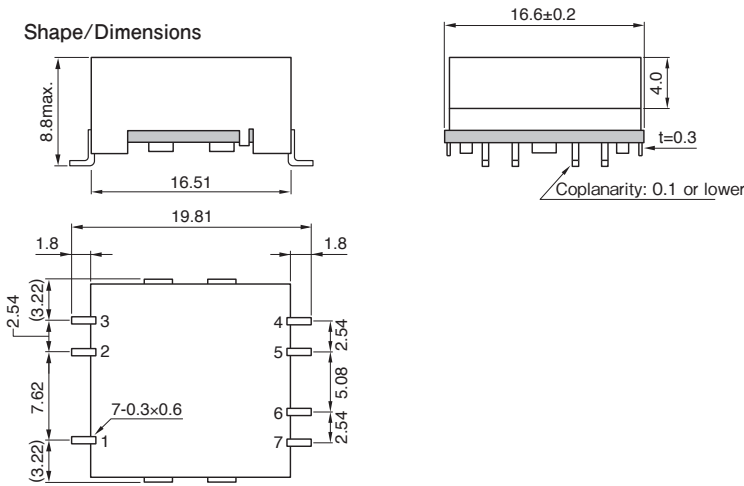
Recommended measurements for mounting board



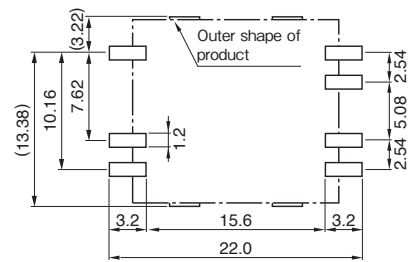
Unit: mm  
Allowable tolerance is ±0.5 if not specified separately.

## CC1R5-xxxxxR-E (SMD type)

Shape/Dimensions

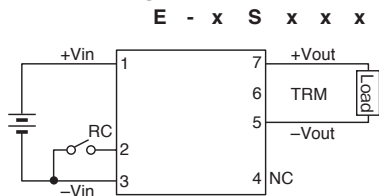


Recommended measurements for mounting board



Unit: mm  
Allowable tolerance is ±0.5 if not specified separately.

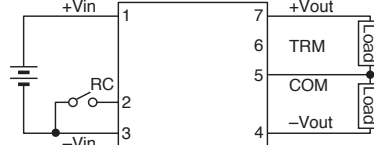
Connection diagram



E - x S x x x x - 5 R 1 C C

Terminal connections

No.1	+Vin
No.2	RC
No.3	-Vin
No.4	NC
No.5	-Vout
No.6	TRM
No.7	+Vout

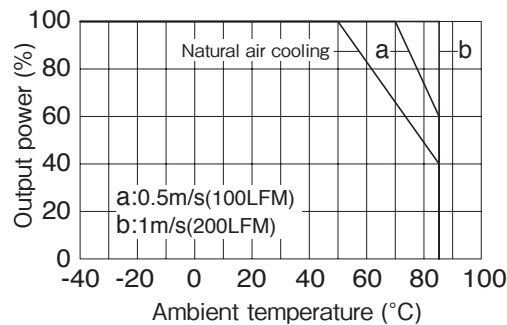


E - x D x x x x - 5 R 1 C C

Terminal connections

No.1	+Vin
No.2	RC
No.3	-Vin
No.4	-Vout
No.5	Common out
No.6	TRM
No.7	+Vout

# Derating Curve



Output power derating by ambient temperature (common specification)

# CC3-E Specifications

ITEMS/UNITS		MODEL	CC3-0503Sx-E	CC3-0505Sx-E	CC3-0512Sx-E		CC3-0512Dx-E	
Input	Nominal Voltage	V	DC5.0					
	Voltage Range	V	DC4.5-9.0					
	Efficiency (typ) (*1)	%	73	77	82		81	
	Current (typ) (*1)	A	0.723	0.779	0.732		0.741	
Output	Nominal Voltage	VDC	3.3	5	12	15	± 12	± 15
	Maximum Current	A	0.800	0.600	0.250	0.200	0.125	0.100
	Maximum Power (*2)	W	2.64		3			
	Maximum Line Regulation (Within input voltage range)	mV	20		40		80	
	Maximum Load Regulation (0-100% load) (*3)	mV	40		100		600	
	Temperature Coefficient (Ambient temperature -40°C to +50°C)		80mV		200mV		300mV	
	Max Power Total Regulation (max) (*4)	%			± 3		± 5	
	Maximum Ripple & Noise (typ/max) (*5)	mVp-p	40/120		30/120			
	Voltage Adjustable Range	VDC	3.15-3.6	4.75-6.0	11.4-15.0		± 11.4- ± 15.0	
	Function	Over Current Protection (*6)		Available				
Over Voltage Protection			Not available					
Remote ON/OFF Control			Available					
Environment	Operating Ambient Temperature	°C	-40 to +85					
	Storage Ambient Temperature	°C	-40 to +85					
	Operating Ambient Humidity	% RH	5-95 (the conditions of maximum 38°C in wet bulb temperature and non-condensation should be ensured.)					
	Storage Ambient Humidity	% RH	5-95 (the conditions of maximum 38°C in wet bulb temperature and non-condensation should be ensured.)					
	Vibration		10-55Hz, 15 minutes sweep and 1.52mm total amplitude, X/Y/Z 3 directions, 2h for each					
Isolation	Shock		980m/s <sup>2</sup> (100G), 6ms, 6 directions, 3 times for each, in non-operation					
	Withstand Voltage		Between input terminal and case, between input terminal and output terminal, and between output terminal and case: 500VAC (for 1 minute)					
	Isolation Resistance		Between input terminal and output terminal: 500VDC, 50MΩ min					
Standards	Safety Standards		Approved by UL62368-1, CSA62368-1, EN62368-1, UL60950-1, CSA60950-1, EN60950-1. (Expire date of 60950-1: 20/12/2020)					
Mechanical	Weight (typ)	g	4.5					
	Size (W x H x D)	mm	DIP: 22.86 x 8.5 x 16.6 / SMD: 22.86 x 8.8 x 16.6					

Note: "x" in model names is to be replaced by a symbol which represents the terminal configuration (F: DIP/R: SMD) for actual model names.

Note: With nominal input/output voltage, maximum output current, and Ta=25°C, if not specified separately.

Note: For 12V/±12V models, output voltage can be set to 15V/±15V by connecting the output adjustment terminal TRM to -Vout.

Note: For ±12V model, output voltage can be set to 24V or 30V single output by making the COM terminal open.

(\*1) With nominal input voltage, maximum output current, and Ta=25°C.

(\*2) The maximum output power value is between -40°C and +50°C. For use in outside this temperature range, derating is needed.

(\*3) In balanced load for dual outputs ("balanced load" means a condition where the +output and -output of load current are equal).

(\*4) Output voltage includes input change, load change (balanced load), and temperature change.

(\*5) In 50MHz, Ta=25°C.

(\*6) Output current restriction method. Automatically resumes when the causes are removed. Never operate the unit under output-shortened or overload conditions for over 30 seconds.

ITEMS/UNITS		MODEL	CC3-1203Sx-E	CC3-1205Sx-E	CC3-1212Sx-E		CC3-1212Dx-E	
Input	Nominal Voltage	V	DC12					
	Voltage Range	V	DC9.0-18					
	Efficiency (typ) (*1)	%	74	79	82		81	
	Current (typ) (*1)	A	0.297	0.316	0.305		0.309	
Output	Nominal Voltage	VDC	3.3	5	12	15	± 12	± 15
	Maximum Current	A	0.800	0.600	0.250	0.200	0.125	0.100
	Maximum Power (*2)	W	2.64		3			
	Maximum Line Regulation (Within input voltage range)	mV	20		40		80	
	Maximum Load Regulation (0-100% load) (*3)	mV	40		100		600	
	Temperature Coefficient (Ambient temperature -40°C to +50°C)		80mV		200mV		300mV	
	Max Power Total Regulation (max) (*4)	%			± 3		± 5	
	Maximum Ripple & Noise (typ/max) (*5)	mVp-p	40/120		30/120			
	Voltage Adjustable Range	VDC	3.15-3.6	4.75-6.0	11.4-15.0		± 11.4- ± 15.0	
	Function	Over Current Protection (*6)		Available				
Over Voltage Protection			Not available					
Remote ON/OFF Control			Available					
Environment	Operating Ambient Temperature	°C	-40 to +85					
	Storage Ambient Temperature	°C	-40 to +85					
	Operating Ambient Humidity	% RH	5-95 (the conditions of maximum 38°C in wet bulb temperature and non-condensation should be ensured.)					
	Storage Ambient Humidity	% RH	5-95 (the conditions of maximum 38°C in wet bulb temperature and non-condensation should be ensured.)					
	Vibration		10-55Hz, 15 minutes sweep and 1.52mm total amplitude, X/Y/Z 3 directions, 2h for each					
Isolation	Shock		980m/s <sup>2</sup> (100G), 6ms, 6 directions, 3 times for each, in non-operation					
	Withstand Voltage		Between input terminal and case, between input terminal and output terminal, and between output terminal and case: 500VAC (for 1 minute)					
	Isolation Resistance		Between input terminal and output terminal: 500VDC, 50MΩ min					
Standards	Safety Standards		Approved by UL62368-1, CSA62368-1, EN62368-1, UL60950-1, CSA60950-1, EN60950-1. (Expire date of 60950-1: 20/12/2020)					
Mechanical	Weight (typ)	g	4.5					
	Size (W x H x D)	mm	DIP: 22.86 x 8.5 x 16.6 / SMD: 22.86 x 8.8 x 16.6					

Note: "x" in model names is to be replaced by a symbol which represents the terminal configuration (F: DIP/R: SMD) for actual model names.

Note: With nominal input/output voltage, maximum output current, and Ta=25°C, if not specified separately.

Note: For 12V/±12V models, output voltage can be set to 15V/±15V by connecting the output adjustment terminal TRM to -Vout.

Note: For ±12V model, output voltage can be set to 24V or 30V single output by making the COM terminal open.

(\*1) With nominal input voltage, maximum output current, and Ta=25°C.

(\*2) The maximum output power value is between -40°C and +50°C. For use in outside this temperature range, derating is needed.

(\*3) In balanced load for dual outputs ("balanced load" means a condition where the +output and -output of load current are equal).

(\*4) Output voltage includes input change, load change (balanced load), and temperature change.

(\*5) In 50MHz, Ta=25°C.

(\*6) Output current restriction method. Automatically resumes when the causes are removed. Never operate the unit under output-shortened or overload conditions for over 30 seconds.



ITEMS/UNITS		MODEL	CC3-2403Sx-E	CC3-2405Sx-E	CC3-2412Sx-E		CC3-2412Dx-E	
Input	Nominal Voltage	V	DC24					
	Voltage Range	V	DC18-36					
	Efficiency (typ) (*1)	%	73	78	82		81	
	Current (typ) (*1)	A	0.151	0.160	0.152		0.154	
Output	Nominal Voltage	VDC	3.3	5	12	15	± 12	± 15
	Maximum Current	A	0.800	0.600	0.250	0.200	0.125	0.100
	Maximum Power (*2)	W	2.64		3			
	Maximum Line Regulation (Within input voltage range)	mV	20		40		80	
	Maximum Load Regulation (0-100% load) (*3)	mV	40		100		600	
	Temperature Coefficient (Ambient temperature -40°C to +50°C)		80mV		200mV		300mV	
	Max Power Total Regulation (max) (*4)	%			± 3		± 5	
	Maximum Ripple & Noise (typ/max) (*5)	mVp-p	40/120		30/120			
Function	Voltage Adjustable Range	VDC	3.15-3.6	4.75-6.0	11.4-15.0		± 11.4- ± 15.0	
	Over Current Protection (*6)				Available			
	Over Voltage Protection				Not available			
	Remote ON/OFF Control				Available			
Environment	Operating Ambient Temperature	°C			-40 to +85			
	Storage Ambient Temperature	°C			-40 to +85			
	Operating Ambient Humidity	% RH	5-95 (the conditions of maximum 38°C in wet bulb temperature and non-condensation should be ensured.)					
	Storage Ambient Humidity	% RH	5-95 (the conditions of maximum 38°C in wet bulb temperature and non-condensation should be ensured.)					
	Vibration		10-55Hz, 15 minutes sweep and 1.52mm total amplitude, X/Y/Z 3 directions, 2h for each					
Isolation	Shock		980m/s <sup>2</sup> (100G), 6ms, 6 directions, 3 times for each, in non-operation					
	Withstand Voltage		Between input terminal and case, between input terminal and output terminal, and between output terminal and case: 500VAC (for 1 minute)					
Standards	Isolation Resistance		Between input terminal and output terminal: 500VDC, 50MΩ min					
	Safety Standards		Approved by UL62368-1, CSA62368-1, EN62368-1, UL60950-1, CSA60950-1, EN60950-1. (Expire date of 60950-1: 20/12/2020)					
Mechanical	Weight (typ)	g	4.5					
	Size (W x H x D)	mm	DIP: 22.86 x 8.5 x 16.6 / SMD: 22.86 x 8.8 x 16.6					

Note: "x" in model names is to be replaced by a symbol which represents the terminal configuration (F: DIP/R: SMD) for actual model names.

Note: With nominal input/output voltage, maximum output current, and Ta=25°C, if not specified separately.

Note: For 12V/±12V models, output voltage can be set to 15V/±15V by connecting the output adjustment terminal TRM to -Vout.

Note: For ±12V model, output voltage can be set to 24V or 30V single output by making the COM terminal open.

(\*1) With nominal input voltage, maximum output current, and Ta=25°C.

(\*2) The maximum output power value is between -40°C and +50°C. For use in outside this temperature range, derating is needed.

(\*3) In balanced load for dual outputs ("balanced load" means a condition where the +output and -output of load current are equal).

(\*4) Output voltage includes input change, load change (balanced load), and temperature change.

(\*5) In 50MHz, Ta=25°C.

(\*6) Output current restriction method. Automatically resumes when the causes are removed. Never operate the unit under output-shortened or overload conditions for over 30 seconds.

ITEMS/UNITS		MODEL	CC3-4803Sx-E	CC3-4805Sx-E	CC3-4812Sx-E		CC3-4812Dx-E	
Input	Nominal Voltage	V	DC48					
	Voltage Range	V	DC36-76					
	Efficiency (typ) (*1)	%	73	79	81		80	
	Current (typ) (*1)	A	0.075	0.079	0.077		0.078	
Output	Nominal Voltage	VDC	3.3	5	12	15	± 12	± 15
	Maximum Current	A	0.800	0.600	0.250	0.200	0.125	0.100
	Maximum Power (*2)	W	2.64		3			
	Maximum Line Regulation (Within input voltage range)	mV	20		40		80	
	Maximum Load Regulation (0-100% load) (*3)	mV	40		100		600	
	Temperature Coefficient (Ambient temperature -40°C to +50°C)		80mV		200mV		300mV	
	Max Power Total Regulation (max) (*4)	%			± 3		± 5	
	Maximum Ripple & Noise (typ/max) (*5)	mVp-p	40/120		30/120			
Function	Voltage Adjustable Range	VDC	3.15-3.6	4.75-6.0	11.4-15.0		± 11.4- ± 15.0	
	Over Current Protection (*6)				Available			
	Over Voltage Protection				Not available			
	Remote ON/OFF Control				Available			
Environment	Operating Ambient Temperature	°C			-40 to +85			
	Storage Ambient Temperature	°C			-40 to +85			
	Operating Ambient Humidity	% RH	5-95 (the conditions of maximum 38°C in wet bulb temperature and non-condensation should be ensured.)					
	Storage Ambient Humidity	% RH	5-95 (the conditions of maximum 38°C in wet bulb temperature and non-condensation should be ensured.)					
	Vibration		10-55Hz, 15 minutes sweep and 1.52mm total amplitude, X/Y/Z 3 directions, 2h for each					
Isolation	Shock		980m/s <sup>2</sup> (100G), 6ms, 6 directions, 3 times for each, in non-operation					
	Withstand Voltage		Between input terminal and case, between input terminal and output terminal, and between output terminal and case: 500VAC (for 1 minute)					
Standards	Isolation Resistance		Between input terminal and output terminal: 500VDC, 50MΩ min					
	Safety Standards		Approved by UL62368-1, CSA62368-1, EN62368-1, UL60950-1, CSA60950-1, EN60950-1. (Expire date of 60950-1: 20/12/2020)					
Mechanical	Weight (typ)	g	4.5					
	Size (W x H x D)	mm	DIP: 22.86 x 8.5 x 16.6 / SMD: 22.86 x 8.8 x 16.6					

Note: "x" in model names is to be replaced by a symbol which represents the terminal configuration (F: DIP/R: SMD) for actual model names.

Note: With nominal input/output voltage, maximum output current, and Ta=25°C, if not specified separately.

Note: For 12V/±12V models, output voltage can be set to 15V/±15V by connecting the output adjustment terminal TRM to -Vout.

Note: For ±12V model, output voltage can be set to 24V or 30V single output by making the COM terminal open.

(\*1) With nominal input voltage, maximum output current, and Ta=25°C.

(\*2) The maximum output power value is between -40°C and +50°C. For use in outside this temperature range, derating is needed.

(\*3) In balanced load for dual outputs ("balanced load" means a condition where the +output and -output of load current are equal).

(\*4) Output voltage includes input change, load change (balanced load), and temperature change.

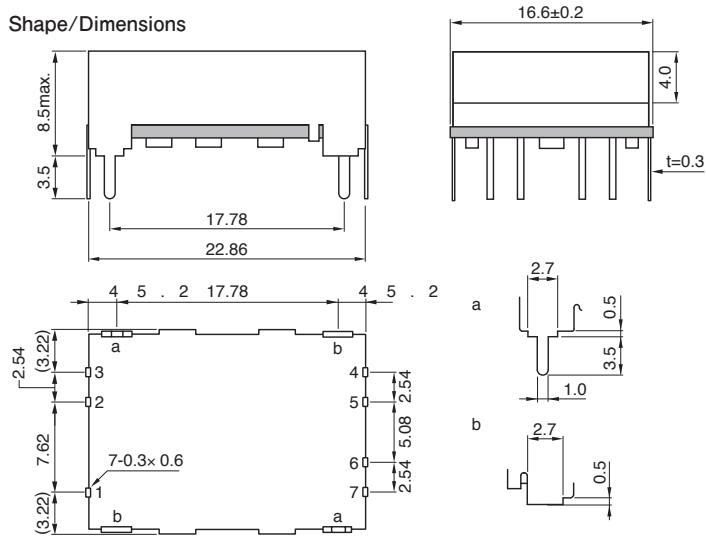
(\*5) In 50MHz, Ta=25°C.

(\*6) Output current restriction method. Automatically resumes when the causes are removed. Never operate the unit under output-shortened or overload conditions for over 30 seconds.

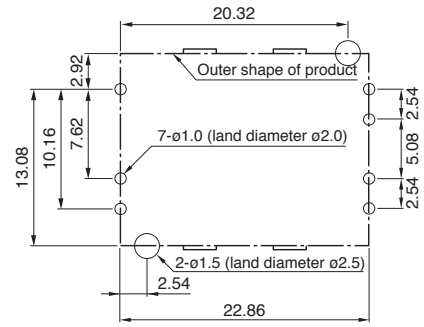
# Outline Drawing

## CC3-xxxxxF-E (DIP type)

Shape/Dimensions



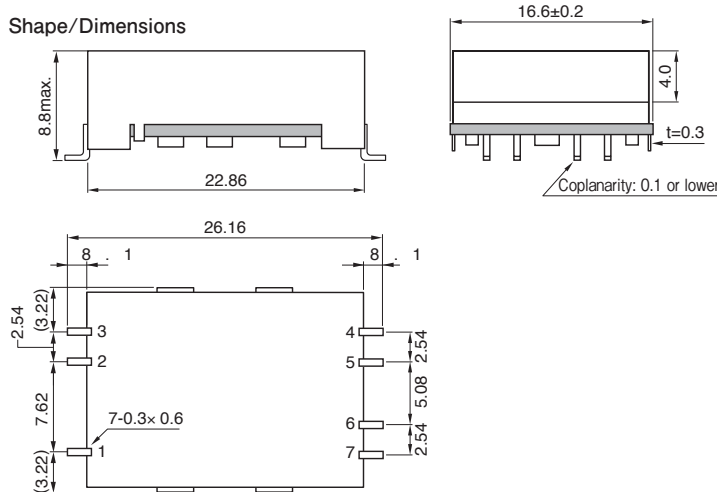
Recommended measurements for mounting board



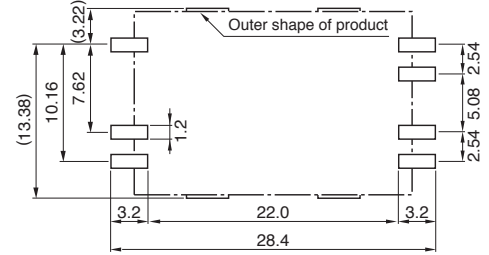
Unit: mm  
Allowable tolerance is ±0.5 if not specified separately.

## CC3-xxxxxR-E (SMD type)

Shape/Dimensions

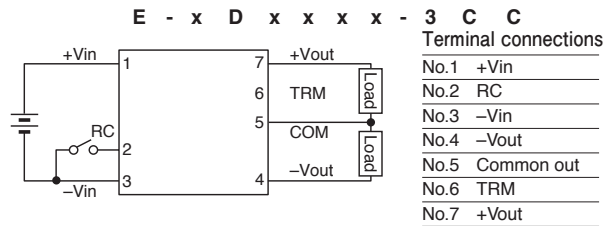
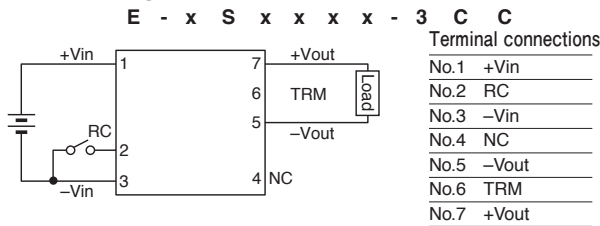


Recommended measurements for mounting board

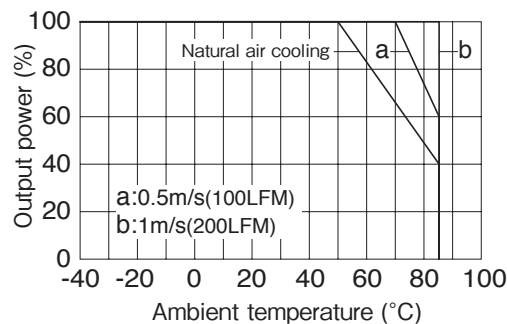


Unit: mm  
Allowable tolerance is ±0.5 if not specified separately.

Connection diagram



# Derating Curve



Output power derating by ambient temperature (common specification)

# CC3-E Specifications

ITEMS/UNITS		MODEL	CC3-0503SS-E	CC3-0505SS-E	CC3-0512SS-E		CC3-0512DS-E	
Input	Nominal Voltage	V	DC5.0					
	Voltage Range	V	DC4.5-9.0					
	Efficiency (typ) (*1)	%	73	77	82		81	
	Current (typ) (*1)	A	0.723	0.779	0.732		0.741	
Output	Nominal Voltage	VDC	3.3	5	12	15	± 12	± 15
	Maximum Current	A	0.800	0.600	0.250	0.200	0.125	0.100
	Maximum Power (*2)	W	2.64		3			
	Maximum Line Regulation (Within input voltage range)	mV	20		40		80	
	Maximum Load Regulation (0-100% load) (*3)	mV	40		100		600	
	Temperature Coefficient (Ambient temperature -40°C to +50°C)		80mV		200mV		300mV	
	Max Power Total Regulation (max)(*4)	%			± 3		± 5	
	Maximum Ripple & Noise (typ/max) (*5)	mVp-p	40/120		30/120			
Function	Voltage Adjustable Range	VDC	3.15-3.67	4.75-6.0	11.4-15.0		± 11.4- ± 15.0	
	Over Current Protection (*6)		Available					
	Over Voltage Protection		Not available					
	Remote ON/OFF Control		Available					
Environment	Operating Ambient Temperature	°C	-40 to +85					
	Storage Ambient Temperature	°C	-40 to +85					
	Operating Ambient Humidity	% RH	5-95 (the conditions of maximum 38°C in wet bulb temperature and non-condensation should be ensured.)					
	Storage Ambient Humidity	% RH	5-95 (the conditions of maximum 38°C in wet bulb temperature and non-condensation should be ensured.)					
	Vibration		10-55Hz, 15 minutes sweep and 1.52mm total amplitude, 3 directions, 2h for each					
Isolation	Shock		980m/s <sup>2</sup> (100G), 6ms, 6 directions, 3 times for each, in non-operation					
	Withstand Voltage		Between input terminal and case, between input terminal and output terminal, and between output terminal and case: 500VAC (for 1 minute)					
Standards	Isolation Resistance		Between input terminal and output terminal: 500VDC, 50MΩ min					
	Safety Standards		Approved by UL62368-1, CSA62368-1, EN62368-1, UL60950-1, CSA60950-1, EN60950-1. (Expire date of 60950-1: 20/12/2020)					
Mechanical	Weight (typ)	g	7					
	Size (W x H x D)	mm	27.8 x 17.9 x 9.2					

Note: With nominal input/output voltage, maximum output current, and Ta=25°C, if not specified separately.  
 Note: For 12V/±12V models, output voltage can be set to 15V/±15V by connecting the output adjustment terminal TRM to -Vout.  
 Note: For ± 12V model, output voltage can be set to 24V or 30V single output by making the COM terminal open.

- (\*1) With nominal input voltage, maximum output current, and Ta=25°C.
- (\*2) The maximum output power value is between -40°C and +50°C. For use in outside this temperature range, derating is needed.
- (\*3) In balanced load for dual outputs ("balanced load" means a condition where the +output and -output of load current are equal).
- (\*4) Output voltage includes input change, load change (balanced load), and temperature change.
- (\*5) In 50MHz, Ta=25°C.
- (\*6) Output current restriction method. Automatically resumes when the causes are removed. Never operate the unit under output-shortened or overload conditions for over 30 seconds.

ITEMS/UNITS		MODEL	CC3-1205SS-E	CC3-1212SS-E		CC3-1212DS-E	
Input	Nominal Voltage	V	DC12				
	Voltage Range	V	DC9.0-18				
	Efficiency (typ) (*1)	%	79	82			
	Current (typ) (*1)	A	0.316	0.305			
Output	Nominal Voltage	VDC	5	12	15	± 12	± 15
	Maximum Current	A	0.600	0.250	0.200	0.125	0.100
	Maximum Power (*2)	W	3				
	Maximum Line Regulation (Within input voltage range)	mV	20	40		80	
	Maximum Load Regulation (0-100% load) (*3)	mV	40	100		600	
	Temperature Coefficient (Ambient temperature -40°C to +50°C)		80mV	200mV		300mV	
	Max Power Total Regulation (max)(*4)	%			± 3		± 5
	Maximum Ripple & Noise (typ/max) (*5)	mVp-p	40/120	30/120			
Function	Voltage Adjustable Range	VDC	4.75-6.0	11.4-15.0		± 11.4- ± 15.0	
	Over Current Protection (*6)		Available				
	Over Voltage Protection		Not available				
	Remote ON/OFF Control		Available				
Environment	Operating Ambient Temperature	°C	-40 to +85				
	Storage Ambient Temperature	°C	-40 to +85				
	Operating Ambient Humidity	% RH	5-95 (the conditions of maximum 38°C in wet bulb temperature and non-condensation should be ensured.)				
	Storage Ambient Humidity	% RH	5-95 (the conditions of maximum 38°C in wet bulb temperature and non-condensation should be ensured.)				
	Vibration		10-55Hz, 15 minutes sweep and 1.52mm total amplitude, 3 directions, 2h for each				
Isolation	Shock		980m/s <sup>2</sup> (100G), 6ms, 6 directions, 3 times for each, in non-operation				
	Withstand Voltage		Between input terminal and case, between input terminal and output terminal, and between output terminal and case: 500VAC (for 1 minute)				
Standards	Isolation Resistance		Between input terminal and output terminal: 500VDC, 50MΩ min				
	Safety Standards		Approved by UL62368-1, CSA62368-1, EN62368-1, UL60950-1, CSA60950-1, EN60950-1. (Expire date of 60950-1: 20/12/2020)				
Mechanical	Weight (typ)	g	7				
	Size (W x H x D)	mm	27.8 x 17.9 x 9.2				

Note: With nominal input/output voltage, maximum output current, and Ta=25°C, if not specified separately.  
 Note: For 12V/±12V models, output voltage can be set to 15V/±15V by connecting the output adjustment terminal TRM to -Vout.  
 Note: For ± 12V model, output voltage can be set to 24V or 30V single output by making the COM terminal open.

- (\*1) With nominal input voltage, maximum output current, and Ta=25°C.
- (\*2) The maximum output power value is between -40°C and +50°C. For use in outside this temperature range, derating is needed.
- (\*3) In balanced load for dual outputs ("balanced load" means a condition where the +output and -output of load current are equal).
- (\*4) Output voltage includes input change, load change (balanced load), and temperature change.
- (\*5) In 50MHz, Ta=25°C.
- (\*6) Output current restriction method. Automatically resumes when the causes are removed. Never operate the unit under output-shortened or overload conditions for over 30 seconds.



ITEMS/UNITS		MODEL	CC3-2403SS-E	CC3-2405SS-E	CC3-2412SS-E		CC3-2412DS-E	
Input	Nominal Voltage	V	DC24					
	Voltage Range	V	DC18-36					
	Efficiency (typ) (*1)	%	73	78	82		81	
	Current (typ) (*1)	A	0.151	0.160	0.152		0.154	
Output	Nominal Voltage	VDC	3.3	5	12	15	± 12	± 15
	Maximum Current	A	0.800	0.600	0.250	0.200	0.125	0.100
	Maximum Power (*2)	W	2.64		3			
	Maximum Line Regulation (Within input voltage range)	mV	20		40		80	
	Maximum Load Regulation (0-100% load) (*3)	mV	40		100		600	
	Temperature Coefficient (Ambient temperature -40°C to +50°C)		80mV		200mV		300mV	
	Max Power Total Regulation (max)(*4)	%			± 3		± 5	
	Maximum Ripple & Noise (typ/max) (*5)	mVp-p	40/120		30/120			
	Voltage Adjustable Range	VDC	3.15-3.67	4.75-6.0	11.4-15.0		± 11.4- ± 15.0	
	Over Current Protection (*6)				Available			
Function	Over Voltage Protection				Not available			
	Remote ON/OFF Control				Available			
	Operating Ambient Temperature	°C			-40 to +85			
Environment	Storage Ambient Temperature	°C			-40 to +85			
	Operating Ambient Humidity	% RH	5-95 (the conditions of maximum 38°C in wet bulb temperature and non-condensation should be ensured.)					
	Storage Ambient Humidity	% RH	5-95 (the conditions of maximum 38°C in wet bulb temperature and non-condensation should be ensured.)					
	Vibration		10-55Hz, 15 minutes sweep and 1.52mm total amplitude, 3 directions, 2h for each					
	Shock		980m/s <sup>2</sup> (100G), 6ms, 6 directions, 3 times for each, in non-operation					
Isolation	Withstand Voltage		Between input terminal and case, between input terminal and output terminal, and between output terminal and case: 500VAC (for 1 minute)					
	Isolation Resistance		Between input terminal and output terminal: 500VDC, 50MΩ min					
Standards	Safety Standards		Approved by UL62368-1, CSA62368-1, EN62368-1, UL60950-1, CSA60950-1, EN60950-1. (Expire date of 60950-1: 20/12/2020)					
Mechanical	Weight (typ)	g	7					
	Size (W x H x D)	mm	27.8 x 17.9 x 9.2					

Note: With nominal input/output voltage, maximum output current, and Ta=25°C, if not specified separately.  
 Note: For 12V/±12V models, output voltage can be set to 15V/±15V by connecting the output adjustment terminal TRM to -Vout.  
 Note: For ± 12V model, output voltage can be set to 24V or 30V single output by making the COM terminal open.

- (\*1) With nominal input voltage, maximum output current, and Ta=25°C.
- (\*2) The maximum output power value is between -40°C and +50°C. For use in outside this temperature range, derating is needed.
- (\*3) In balanced load for dual outputs ("balanced load" means a condition where the +output and -output of load current are equal).
- (\*4) Output voltage includes input change, load change (balanced load), and temperature change.
- (\*5) In 50MHz, Ta=25°C.
- (\*6) Output current restriction method. Automatically resumes when the causes are removed. Never operate the unit under output-shortened or overload conditions for over 30 seconds.

ITEMS/UNITS		MODEL	CC3-4803SS-E	CC3-4805SS-E	CC3-4812DS-E	
Input	Nominal Voltage	V	DC48			
	Voltage Range	V	DC36-76			
	Efficiency (typ) (*1)	%	73	79	82	
	Current (typ) (*1)	A	0.075	0.079	0.076	
Output	Nominal Voltage	VDC	3.3	5	± 12	± 15
	Maximum Current	A	0.800	0.600	0.125	0.100
	Maximum Power (*2)	W	2.64		3	
	Maximum Line Regulation (Within input voltage range)	mV	20		80	
	Maximum Load Regulation (0-100% load) (*3)	mV	40		600	
	Temperature Coefficient (Ambient temperature -40°C to +50°C)		80mV		300mV	
	Max Power Total Regulation (max)(*4)	%			± 3	
	Maximum Ripple & Noise (typ/max) (*5)	mVp-p	40/120		30/120	
	Voltage Adjustable Range	VDC	3.15-3.6	4.75-6.0	± 11.4 ± 15.0	
	Over Current Protection (*6)				Available	
Function	Over Voltage Protection				Not available	
	Remote ON/OFF Control				Available	
	Operating Ambient Temperature	°C			-40 to +85	
Environment	Storage Ambient Temperature	°C			-40 to +85	
	Operating Ambient Humidity	% RH	5-95 (the conditions of maximum 38°C in wet bulb temperature and non-condensation should be ensured.)			
	Storage Ambient Humidity	% RH	5-95 (the conditions of maximum 38°C in wet bulb temperature and non-condensation should be ensured.)			
	Vibration		10-55Hz, 15 minutes sweep and 1.52mm total amplitude, 3 directions, 2h for each			
	Shock		980m/s <sup>2</sup> (100G), 6ms, 6 directions, 3 times for each, in non-operation			
Isolation	Withstand Voltage		Between input terminal and case, between input terminal and output terminal, and between output terminal and case: 500VAC (for 1 minute)			
	Isolation Resistance		Between input terminal and output terminal: 500VDC, 50MΩ min			
Standards	Safety Standards		Approved by UL62368-1, CSA62368-1, EN62368-1, UL60950-1, CSA60950-1, EN60950-1. (Expire date of 60950-1: 20/12/2020)			
Mechanical	Weight (typ)	g	7			
	Size (W x H x D)	mm	27.8 x 17.9 x 9.2			

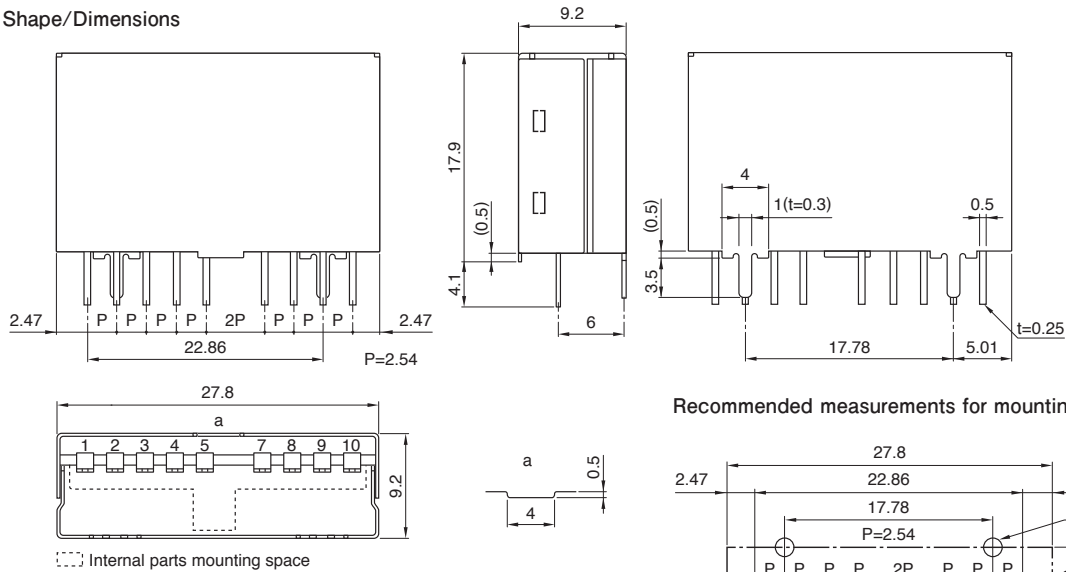
Note: With nominal input/output voltage, maximum output current, and Ta=25°C, if not specified separately.  
 Note: For 12V/±12V models, output voltage can be set to 15V/±15V by connecting the output adjustment terminal TRM to -Vout.  
 Note: For ± 12V model, output voltage can be set to 24V or 30V single output by making the COM terminal open.

- (\*1) With nominal input voltage, maximum output current, and Ta=25°C.
- (\*2) The maximum output power value is between -40°C and +50°C. For use in outside this temperature range, derating is needed.
- (\*3) In balanced load for dual outputs ("balanced load" means a condition where the +output and -output of load current are equal).
- (\*4) Output voltage includes input change, load change (balanced load), and temperature change.
- (\*5) In 50MHz, Ta=25°C.
- (\*6) Output current restriction method. Automatically resumes when the causes are removed. Never operate the unit under output-shortened or overload conditions for over 30 seconds.

# Outline Drawing

## CC3-xxxxxS-E (SIP type)

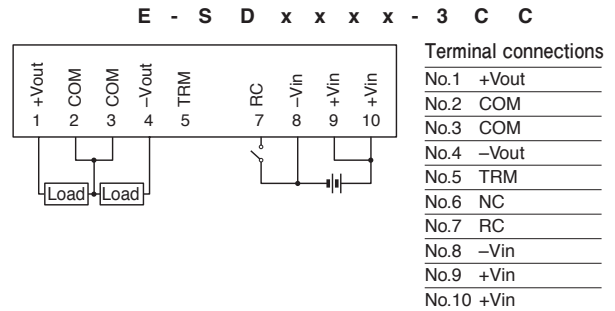
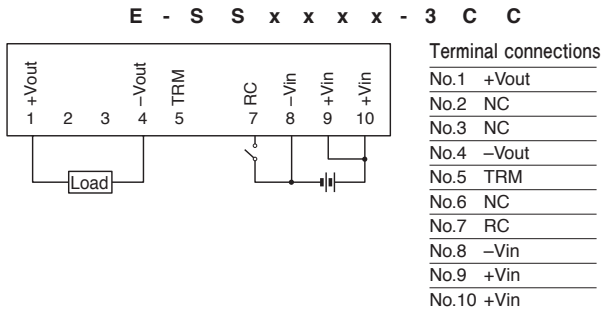
Shape/Dimensions



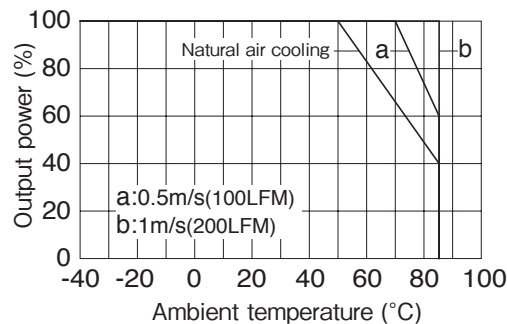
Recommended measurements for mounting board

Unit: mm  
Allowable tolerance is ±0.5 if not specified separately.

Connection diagram



# Derating Curve



Output power derating by ambient temperature (common specification)

# CC6-E Specifications

ITEMS/UNITS		MODEL	CC6-0503Sx-E	CC6-0505Sx-E	CC6-0512Sx-E		CC6-0512Dx-E		
Input	Nominal Voltage	V	DC5.0						
	Voltage Range	V	DC4.5-9.0						
	Efficiency (typ) (*1)	%	76	79	82				
	Current (typ) (*1)	A	1.042	1.266	1.463				
Output	Nominal Voltage	VDC	3.3	5	12	15	± 12	± 15	
	Maximum Current	A	1.200	1.000	0.500	0.400	0.250	0.200	
	Maximum Power (*2)	W	3.96	5	6				
	Maximum Line Regulation(Within input voltage range)	mV	20		40		80		
	Maximum Load Regulation (0-100% load) (*3)	mV	40		100		600		
	Temperature Coefficient (Ambient temperature -40°C to +50°C)		80mV		200mV		300mV		
	Max Power Total Regulation (max)(*4)	%	± 3						
	Maximum Ripple & Noise (typ/max) (*5)	mVp-p	40/120			30/120			
	Voltage Adjustable Range	VDC	3.15-3.6	4.75-6.0	11.4-15.0		± 11.4- ± 15.0		
	Function	Over Current Protection (*6)		Available					
Over Voltage Protection			Not available						
Remote ON/OFF Control			Available						
Environment	Operating Ambient Temperature	°C	-40 to +85						
	Storage Ambient Temperature	°C	-40 to +85						
	Operating Ambient Humidity	% RH	5-95 (the conditions of maximum 38°C in wet bulb temperature and non-condensation should be ensured.)						
	Storage Ambient Humidity	% RH	5-95 (the conditions of maximum 38°C in wet bulb temperature and non-condensation should be ensured.)						
	Vibration		10-55Hz, 15 minutes sweep and 1.52mm total amplitude, 3 directions, 2h for each						
Isolation	Shock		980m/s <sup>2</sup> (100G), 6ms, 6 directions, 3 times for each, in non-operation						
	Withstand Voltage		Between input terminal and case, between input terminal and output terminal, and between output terminal and case: 500VAC (for 1 minute)						
Standards	Isolation Resistance		Between input terminal and output terminal: 500VDC, 50MΩ min						
	Safety Standards		Approved by UL62368-1, CSA62368-1, EN62368-1, UL60950-1, CSA60950-1, EN60950-1. (Expire date of 60950-1: 20/12/2020)						
Mechanical	Weight (typ)	g	5.8						
	Size (W x H x D)	mm	DIP: 22.86 x 8.5 x 21.1 / SMD: 22.86 x 8.8 x 21.1						

Note: "x" in model names is to be replaced by a symbol which represents the terminal configuration (F: DIP/R: SMD) for actual model names.

Note: With nominal input/output voltage, maximum output current, and Ta=25°C, if not specified separately.

Note: For 12V/±12V models, output voltage can be set to 15V/±15V by connecting the output adjustment terminal TRM to -Vout.

Note: For ± 12V model, output voltage can be set to 24V or 30V single output by making the COM terminal open.

(\*1) With nominal input voltage, maximum output current, and Ta=25°C.

(\*2) The maximum output power value is between -40°C and +50°C. For use in outside this temperature range, derating is needed.

(\*3) In balanced load for dual outputs ("balanced load" means a condition where the +output and -output of load current are equal).

(\*4) Output voltage includes input change, load change (balanced load), and temperature change.

(\*5) In 50MHz, Ta=25°C.

(\*6) Output current restriction method. Automatically resumes when the causes are removed. Never operate the unit under output-shortened or overload conditions for over 30 seconds.

ITEMS/UNITS		MODEL	CC6-1203Sx-E	CC6-1205Sx-E	CC6-1212Sx-E		CC6-1212Dx-E		
Input	Nominal Voltage	V	DC12						
	Voltage Range	V	DC9.0-18						
	Efficiency (typ) (*1)	%	78	82	85				
	Current (typ) (*1)	A	0.423	0.610	0.588				
Output	Nominal Voltage	VDC	3.3	5	12	15	± 12	± 15	
	Maximum Current	A	1.200	1.000	0.500	0.400	0.250	0.200	
	Maximum Power (*2)	W	3.96	5	6				
	Maximum Line Regulation(Within input voltage range)	mV	20		40		80		
	Maximum Load Regulation (0-100% load) (*3)	mV	40		100		600		
	Temperature Coefficient (Ambient temperature -40°C to +50°C)		80mV		200mV		300mV		
	Max Power Total Regulation (max)(*4)	%	± 3						
	Maximum Ripple & Noise (typ/max) (*5)	mVp-p	40/120			30/120			
	Voltage Adjustable Range	VDC	3.15-3.6	4.75-6.0	11.4-15.0		± 11.4- ± 15.0		
	Function	Over Current Protection (*6)		Available					
Over Voltage Protection			Not available						
Remote ON/OFF Control			Available						
Environment	Operating Ambient Temperature	°C	-40 to +85						
	Storage Ambient Temperature	°C	-40 to +85						
	Operating Ambient Humidity	% RH	5-95 (the conditions of maximum 38°C in wet bulb temperature and non-condensation should be ensured.)						
	Storage Ambient Humidity	% RH	5-95 (the conditions of maximum 38°C in wet bulb temperature and non-condensation should be ensured.)						
	Vibration		10-55Hz, 15 minutes sweep and 1.52mm total amplitude, 3 directions, 2h for each						
Isolation	Shock		980m/s <sup>2</sup> (100G), 6ms, 6 directions, 3 times for each, in non-operation						
	Withstand Voltage		Between input terminal and case, between input terminal and output terminal, and between output terminal and case: 500VAC (for 1 minute)						
Standards	Isolation Resistance		Between input terminal and output terminal: 500VDC, 50MΩ min						
	Safety Standards		Approved by UL62368-1, CSA62368-1, EN62368-1, UL60950-1, CSA60950-1, EN60950-1. (Expire date of 60950-1: 20/12/2020)						
Mechanical	Weight (typ)	g	5.8						
	Size (W x H x D)	mm	DIP: 22.86 x 8.5 x 21.1 / SMD: 22.86 x 8.8 x 21.1						

Note: "x" in model names is to be replaced by a symbol which represents the terminal configuration (F: DIP/R: SMD) for actual model names.

Note: With nominal input/output voltage, maximum output current, and Ta=25°C, if not specified separately.

Note: For 12V/±12V models, output voltage can be set to 15V/±15V by connecting the output adjustment terminal TRM to -Vout.

Note: For ± 12V model, output voltage can be set to 24V or 30V single output by making the COM terminal open.

(\*1) With nominal input voltage, maximum output current, and Ta=25°C.

(\*2) The maximum output power value is between -40°C and +50°C. For use in outside this temperature range, derating is needed.

(\*3) In balanced load for dual outputs ("balanced load" means a condition where the +output and -output of load current are equal).

(\*4) Output voltage includes input change, load change (balanced load), and temperature change.

(\*5) In 50MHz, Ta=25°C.

(\*6) Output current restriction method. Automatically resumes when the causes are removed. Never operate the unit under output-shortened or overload conditions for over 30 seconds.

ITEMS/UNITS		MODEL	CC6-2403Sx-E	CC6-2405Sx-E	CC6-2412Sx-E	CC6-2412Dx-E		
Input	Nominal Voltage	V	DC24					
	Voltage Range	V	DC18-36					
	Efficiency (typ) (*1)	%	77	81	87	86		
	Current (typ) (*1)	A	0.214	0.309	0.287	0.291		
Output	Nominal Voltage	VDC	3.3	5	12	15	± 12	± 15
	Maximum Current	A	1.200		0.500	0.400	0.250	0.200
	Maximum Power (*2)	W	3.96	6				
	Maximum Line Regulation(Within input voltage range)	mV	20		40		80	
	Maximum Load Regulation (0-100% load) (*3)	mV	40		100		600	
	Temperature Coefficient (Ambient temperature -40°C to +50°C)		80mV		200mV		300mV	
	Max Power Total Regulation (max)(*4)	%	± 3				± 5	
	Maximum Ripple & Noise (typ/max) (*5)	mVp-p	40/120		30/120			
	Voltage Adjustable Range	VDC	3.15-3.6	4.75-6.0	11.4-15.0		± 11.4- ± 15.0	
	Function	Over Current Protection (*6)		Available				
Over Voltage Protection			Not available					
Remote ON/OFF Control			Available					
Environment	Operating Ambient Temperature	°C	-40 to +85					
	Storage Ambient Temperature	°C	-40 to +85					
	Operating Ambient Humidity	% RH	5-95 (the conditions of maximum 38°C in wet bulb temperature and non-condensation should be ensured.)					
	Storage Ambient Humidity	% RH	5-95 (the conditions of maximum 38°C in wet bulb temperature and non-condensation should be ensured.)					
	Vibration		10-55Hz, 15 minutes sweep and 1.52mm total amplitude, 3 directions, 2h for each					
Isolation	Shock		980m/s <sup>2</sup> (100G), 6ms, 6 directions, 3 times for each, in non-operation					
	Withstand Voltage		Between input terminal and case, between input terminal and output terminal, and between output terminal and case: 500VAC (for 1 minute)					
Standards	Isolation Resistance		Between input terminal and output terminal: 500VDC, 50MΩ min					
	Safety Standards		Approved by UL62368-1, CSA62368-1, EN62368-1, UL60950-1, CSA60950-1, EN60950-1. (Expire date of 60950-1: 20/12/2020)					
Mechanical	Weight (typ)	g	5.8					
	Size (W x H x D)	mm	DIP: 22.86 x 8.5 x 21.1 / SMD: 22.86 x 8.8 x 21.1					

Note: "x" in model names is to be replaced by a symbol which represents the terminal configuration (F: DIP/R: SMD) for actual model names.

Note: With nominal input/output voltage, maximum output current, and Ta=25°C, if not specified separately.

Note: For 12V/±12V models, output voltage can be set to 15V/±15V by connecting the output adjustment terminal TRM to -Vout.

Note: For ± 12V model, output voltage can be set to 24V or 30V single output by making the COM terminal open.

(\*1) With nominal input voltage, maximum output current, and Ta=25°C.

(\*2) The maximum output power value is between -40°C and +50°C. For use in outside this temperature range, derating is needed.

(\*3) In balanced load for dual outputs ("balanced load" means a condition where the +output and -output of load current are equal).

(\*4) Output voltage includes input change, load change (balanced load), and temperature change.

(\*5) In 50MHz, Ta=25°C.

(\*6) Output current restriction method. Automatically resumes when the causes are removed. Never operate the unit under output-shortened or overload conditions for over 30 seconds.

ITEMS/UNITS		MODEL	CC6-4803Sx-E	CC6-4805Sx-E	CC6-4812Sx-E	CC6-4812Dx-E		
Input	Nominal Voltage	V	DC48					
	Voltage Range	V	DC36-76					
	Efficiency (typ) (*1)	%	77	81	86			
	Current (typ) (*1)	A	0.107	0.154	0.145			
Output	Nominal Voltage	VDC	3.3	5	12	15	± 12	± 15
	Maximum Current	A	1.200		0.500	0.400	0.250	0.200
	Maximum Power (*2)	W	3.96	6				
	Maximum Line Regulation(Within input voltage range)	mV	20		40		80	
	Maximum Load Regulation (0-100% load) (*3)	mV	40		100		600	
	Temperature Coefficient (Ambient temperature -40°C to +50°C)		80mV		200mV		300mV	
	Max Power Total Regulation (max)(*4)	%	± 3				± 5	
	Maximum Ripple & Noise (typ/max) (*5)	mVp-p	40/120		30/120			
	Voltage Adjustable Range	VDC	3.15-3.6	4.75-6.0	11.4-15.0		± 11.4- ± 5.0	
	Function	Over Current Protection (*6)		Available				
Over Voltage Protection			Not available					
Remote ON/OFF Control			Available					
Environment	Operating Ambient Temperature	°C	-40 to +85					
	Storage Ambient Temperature	°C	-40 to +85					
	Operating Ambient Humidity	% RH	5-95 (the conditions of maximum 38°C in wet bulb temperature and non-condensation should be ensured.)					
	Storage Ambient Humidity	% RH	5-95 (the conditions of maximum 38°C in wet bulb temperature and non-condensation should be ensured.)					
	Vibration		10-55Hz, 15 minutes sweep and 1.52mm total amplitude, 3 directions, 2h for each					
Isolation	Shock		980m/s <sup>2</sup> (100G), 6ms, 6 directions, 3 times for each, in non-operation					
	Withstand Voltage		Between input terminal and case, between input terminal and output terminal, and between output terminal and case: 500VAC (for 1 minute)					
Standards	Isolation Resistance		Between input terminal and output terminal: 500VDC, 50MΩ min					
	Safety Standards		Approved by UL62368-1, CSA62368-1, EN62368-1, UL60950-1, CSA60950-1, EN60950-1. (Expire date of 60950-1: 20/12/2020)					
Mechanical	Weight (typ)	g	5.8					
	Size (W x H x D)	mm	DIP: 22.86 x 8.5 x 21.1 / SMD: 22.86 x 8.8 x 21.1					

Note: "x" in model names is to be replaced by a symbol which represents the terminal configuration (F: DIP/R: SMD) for actual model names.

Note: With nominal input/output voltage, maximum output current, and Ta=25°C, if not specified separately.

Note: For 12V/±12V models, output voltage can be set to 15V/±15V by connecting the output adjustment terminal TRM to -Vout.

Note: For ± 12V model, output voltage can be set to 24V or 30V single output by making the COM terminal open.

(\*1) With nominal input voltage, maximum output current, and Ta=25°C.

(\*2) The maximum output power value is between -40°C and +50°C. For use in outside this temperature range, derating is needed.

(\*3) In balanced load for dual outputs ("balanced load" means a condition where the +output and -output of load current are equal).

(\*4) Output voltage includes input change, load change (balanced load), and temperature change.

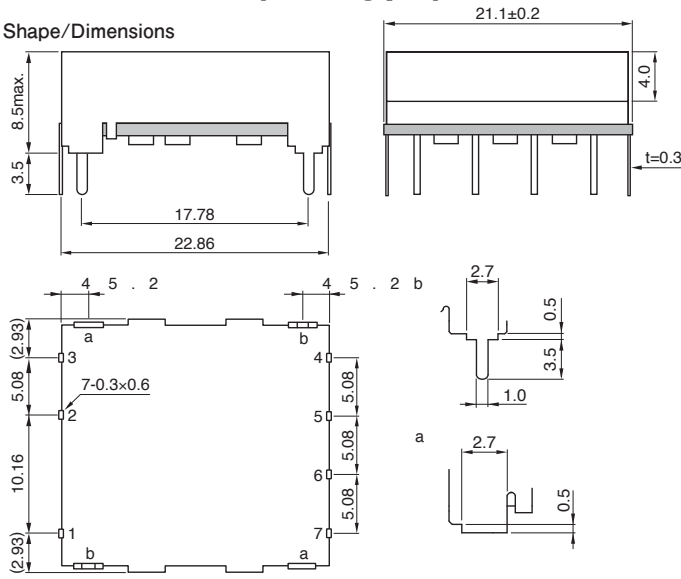
(\*5) In 50MHz, Ta=25°C.

(\*6) Output current restriction method. Automatically resumes when the causes are removed. Never operate the unit under output-shortened or overload conditions for over 30 seconds.

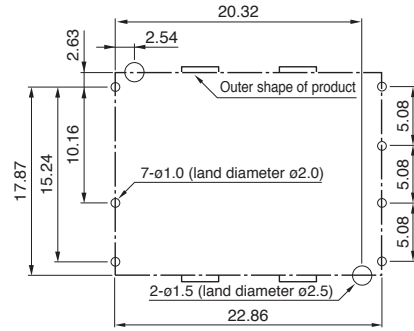
# Outline Drawing

## CC6-xxxxxF-E (DIP type)

Shape/Dimensions



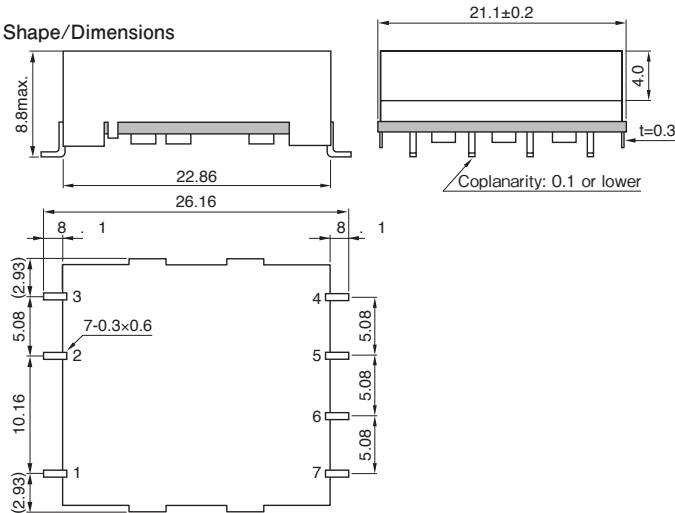
Recommended measurements for mounting board



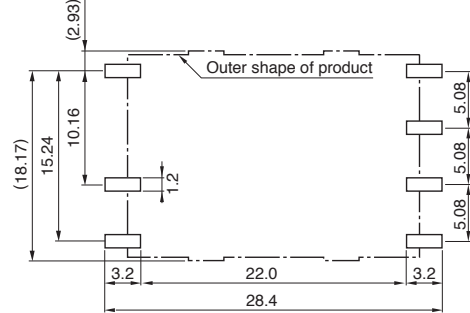
Unit: mm  
Allowable tolerance is ±0.5 if not specified separately.

## CC6-xxxxxR-E (SMD type)

Shape/Dimensions

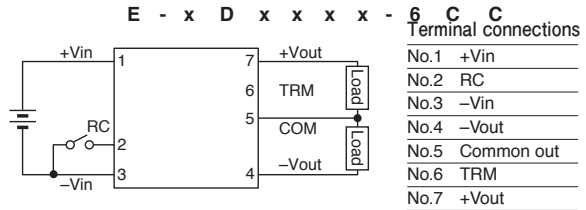
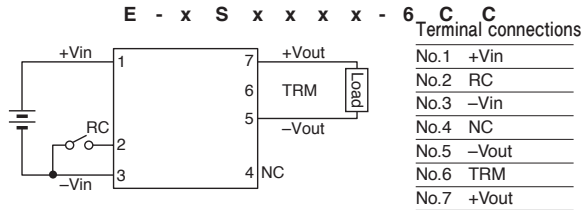


Recommended measurements for mounting board

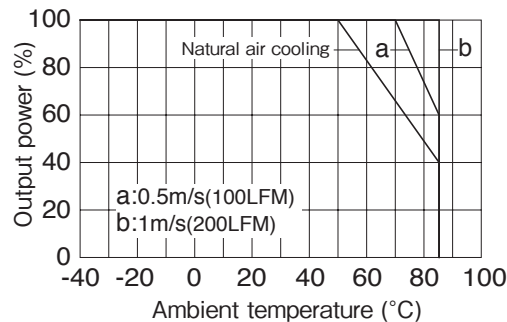


Unit: mm  
Allowable tolerance is ±0.5 if not specified separately.

Connection diagram



# Derating Curve



Output power derating by ambient temperature (common specification)



# CC10-E Specifications

ITEMS/UNITS		MODEL	CC10-0503Sx-E	CC10-0505Sx-E	CC10-0512Sx-E		CC10-0512Dx-E		
Input	Nominal Voltage	V	DC5.0						
	Voltage Range	V	DC4.5-9.0						
	Efficiency (typ) (*1)	%	84				83		
	Current (typ) (*1)	A	1.964	2.381	2.286		2.313		
Output	Nominal Voltage	VDC	3.3	5	12	15	± 12	± 15	
	Maximum Current	A	2.500	2.000	0.800	0.640	0.400	0.320	
	Maximum Power (*2)	W	8.25	10	9.6				
	Maximum Line Regulation(Within input voltage range)	mV	20		40		80		
	Maximum Load Regulation (0-100% load) (*3)	mV	40		100		600		
	Temperature Coefficient (Ambient temperature -40°C to +50°C)		80mV		200mV		300mV		
	Max Power Total Regulation (max)(*4)	%	± 3						
	Maximum Ripple & Noise (typ/max) (*5)	mVp-p	40/120			30/120			
	Voltage Adjustable Range	VDC	3.15-3.6	4.75-6.0	11.4-15.0		± 11.4- ± 15.0		
	Function	Over Current Protection (*6)		Available					
Over Voltage Protection			Not available						
Remote ON/OFF Control			Available						
Environment	Operating Ambient Temperature	°C	-40 to +85						
	Storage Ambient Temperature	°C	-40 to +85						
	Operating Ambient Humidity	% RH	5-95 (the conditions of maximum 38°C in wet bulb temperature and non-condensation should be ensured.)						
	Storage Ambient Humidity	% RH	5-95 (the conditions of maximum 38°C in wet bulb temperature and non-condensation should be ensured.)						
	Vibration		10-55Hz, 15 minutes sweep and 1.52mm total amplitude, 3 directions, 2h for each						
Isolation	Shock		980m/s <sup>2</sup> (100G), 6ms, 6 directions, 3 times for each, in non-operation						
	Withstand Voltage		Between input terminal and case, between input terminal and output terminal, and between output terminal and case: 500VAC (for 1 minute)						
Standards	Isolation Resistance		Between input terminal and output terminal: 500VDC, 50MΩ min						
	Safety Standards		Approved by UL62368-1, CSA62368-1, EN62368-1, UL60950-1, CSA60950-1, EN60950-1. (Expire date of 60950-1: 20/12/2020)						
Mechanical	Weight (typ)	g	10						
	Size (W x H x D)	mm	DIP: 35.56 x 8.5 x 22.6 / SMD: 35.56 x 8.8 x 22.6						

Note: "x" in model names is to be replaced by a symbol which represents the terminal configuration (F: DIP/R: SMD) for actual model names.

Note: With nominal input/output voltage, maximum output current, and Ta=25°C, if not specified separately.

Note: For 12V/±12V models, output voltage can be set to 15V/±15V by connecting the output adjustment terminal TRM to -Vout.

Note: For ± 12V model, output voltage can be set to 24V or 30V single output by making the COM terminal open.

(\*1) With nominal input voltage, maximum output current, and Ta=25°C.

(\*2) The maximum output power value is between -40°C and +50°C. For use in outside this temperature range, derating is needed.

(\*3) In balanced load for dual outputs ("balanced load" means a condition where the +output and -output of load current are equal).

(\*4) Output voltage includes input change, load change (balanced load), and temperature change.

(\*5) In 50MHz, Ta=25°C.

(\*6) Output current restriction method. Automatically resumes when the causes are removed. Never operate the unit under output-shortened or overload conditions for over 30 seconds.

ITEMS/UNITS		MODEL	CC10-1203Sx-E	CC10-1205Sx-E	CC10-1212Sx-E		CC10-1212Dx-E	
Input	Nominal Voltage	V	DC12					
	Voltage Range	V	DC9.0-18					
	Efficiency (typ) (*1)	%	84	86	88		86	
	Current (typ) (*1)	A	0.318	0.969	1.136		1.047	
Output	Nominal Voltage	VDC	3.3	5	12	15	± 12	± 15
	Maximum Current	A	2.500	2.000	1000	800	450	360
	Maximum Power (*2)	W	8.25	10	12		10.8	
	Maximum Line Regulation(Within input voltage range)	mV	20		40		80	
	Maximum Load Regulation (0-100% load) (*3)	mV	40		100		600	
	Temperature Coefficient (Ambient temperature -40°C to +50°C)		80mV		200mV		300mV	
	Max Power Total Regulation (max)(*4)	%	± 3					
	Maximum Ripple & Noise (typ/max) (*5)	mVp-p	40/120			30/120		
	Voltage Adjustable Range	VDC	3.15-3.6	4.75-6.0	11.4-15.0		± 11.4- ± 15.0	
	Function	Over Current Protection (*6)		Available				
Over Voltage Protection			Not available					
Remote ON/OFF Control			Available					
Environment	Operating Ambient Temperature	°C	-40 to +85					
	Storage Ambient Temperature	°C	-40 to +85					
	Operating Ambient Humidity	% RH	5-95 (the conditions of maximum 38°C in wet bulb temperature and non-condensation should be ensured.)					
	Storage Ambient Humidity	% RH	5-95 (the conditions of maximum 38°C in wet bulb temperature and non-condensation should be ensured.)					
	Vibration		10-55Hz, 15 minutes sweep and 1.52mm total amplitude, 3 directions, 2h for each					
Isolation	Shock		980m/s <sup>2</sup> (100G), 6ms, 6 directions, 3 times for each, in non-operation					
	Withstand Voltage		Between input terminal and case, between input terminal and output terminal, and between output terminal and case: 500VAC (for 1 minute)					
Standards	Isolation Resistance		Between input terminal and output terminal: 500VDC, 50MΩ min					
	Safety Standards		Approved by UL62368-1, CSA62368-1, EN62368-1, UL60950-1, CSA60950-1, EN60950-1. (Expire date of 60950-1: 20/12/2020)					
Mechanical	Weight (typ)	g	10					
	Size (W x H x D)	mm	DIP: 35.56 x 8.5 x 22.6 / SMD: 35.56 x 8.8 x 22.6					

Note: "x" in model names is to be replaced by a symbol which represents the terminal configuration (F: DIP/R: SMD) for actual model names.

Note: With nominal input/output voltage, maximum output current, and Ta=25°C, if not specified separately.

Note: For 12V/±12V models, output voltage can be set to 15V/±15V by connecting the output adjustment terminal TRM to -Vout.

Note: For ± 12V model, output voltage can be set to 24V or 30V single output by making the COM terminal open.

(\*1) With nominal input voltage, maximum output current, and Ta=25°C.

(\*2) The maximum output power value is between -40°C and +50°C. For use in outside this temperature range, derating is needed.

(\*3) In balanced load for dual outputs ("balanced load" means a condition where the +output and -output of load current are equal).

(\*4) Output voltage includes input change, load change (balanced load), and temperature change.

(\*5) In 50MHz, Ta=25°C.

(\*6) Output current restriction method. Automatically resumes when the causes are removed. Never operate the unit under output-shortened or overload conditions for over 30 seconds.

ITEMS/UNITS		MODEL	CC10-2403Sx-E	CC10-2405Sx-E	CC10-2412Sx-E		CC10-2412Dx-E	
Input	Nominal Voltage	V	DC24					
	Voltage Range	V	DC18-36					
	Efficiency (typ) (*1)	%	84	86	87		86	
	Current (typ) (*1)	A	0.409	0.484	0.575		0.523	
Output	Nominal Voltage	VDC	3.3	5	12	15	± 12	± 15
	Maximum Current	A	2.500	2.000	1.000	0.800	0.450	0.360
	Maximum Power (*2)	W	8.25	10	12		10.8	
	Maximum Line Regulation(Within input voltage range)	mV	20		40		80	
	Maximum Load Regulation (0-100% load) (*3)	mV	40		100		600	
	Temperature Coefficient (Ambient temperature -40°C to +50°C)		80mV		200mV		300mV	
	Max Power Total Regulation (max)(*4)	%	± 3				± 5	
	Maximum Ripple & Noise (typ/max) (*5)	mVp-p	40/120			30/120		
	Voltage Adjustable Range	VDC	3.15-3.6	4.75-6.0	11.4-15.0		± 11.4- ± 15.0	
	Function	Over Current Protection (*6)		Available				
Over Voltage Protection			Not available					
Remote ON/OFF Control			Available					
Environment	Operating Ambient Temperature	°C	-40 to +85					
	Storage Ambient Temperature	°C	-40 to +85					
	Operating Ambient Humidity	% RH	5-95 (the conditions of maximum 38°C in wet bulb temperature and non-condensation should be ensured.)					
	Storage Ambient Humidity	% RH	5-95 (the conditions of maximum 38°C in wet bulb temperature and non-condensation should be ensured.)					
	Vibration		10-55Hz, 15 minutes sweep and 1.52mm total amplitude, 3 directions, 2h for each					
Isolation	Shock		980m/s <sup>2</sup> (100G), 6ms, 6 directions, 3 times for each, in non-operation					
	Withstand Voltage		Between input terminal and case, between input terminal and output terminal, and between output terminal and case: 500VAC (for 1 minute)					
	Isolation Resistance		Between input terminal and output terminal: 500VDC, 50MΩ min					
Standards	Safety Standards		Approved by UL62368-1, CSA62368-1, EN62368-1, UL60950-1, CSA60950-1, EN60950-1. (Expire date of 60950-1: 20/12/2020)					
Mechanical	Weight (typ)	g	10					
	Size (W x H x D)	mm	DIP: 35.56 x 8.5 x 22.6 / SMD: 35.56 x 8.8 x 22.6					

Note: "x" in model names is to be replaced by a symbol which represents the terminal configuration (F: DIP/R: SMD) for actual model names.

Note: With nominal input/output voltage, maximum output current, and Ta=25°C, if not specified separately.

Note: For 12V/±12V models, output voltage can be set to 15V/±15V by connecting the output adjustment terminal TRM to -Vout.

Note: For ± 12V model, output voltage can be set to 24V or 30V single output by making the COM terminal open.

(\*1) With nominal input voltage, maximum output current, and Ta=25°C.

(\*2) The maximum output power value is between -40°C and +50°C. For use in outside this temperature range, derating is needed.

(\*3) In balanced load for dual outputs ("balanced load" means a condition where the +output and -output of load current are equal).

(\*4) Output voltage includes input change, load change (balanced load), and temperature change.

(\*5) In 50MHz, Ta=25°C.

(\*6) Output current restriction method. Automatically resumes when the causes are removed. Never operate the unit under output-shortened or overload conditions for over 30 seconds.

ITEMS/UNITS		MODEL	CC10-4803Sx-E	CC10-4805Sx-E	CC10-4812Sx-E		CC10-4812Dx-E	
Input	Nominal Voltage	V	DC48					
	Voltage Range	V	DC36-76					
	Efficiency (typ) (*1)	%	84	86	88		86	
	Current (typ) (*1)	A	0.205	0.242	0.284		0.262	
Output	Nominal Voltage	VDC	3.3	5	12	15	± 12	± 15
	Maximum Current	A	2.500	2.000	1.000	0.800	0.450	0.360
	Maximum Power (*2)	W	8.25	10	12		10.8	
	Maximum Line Regulation(Within input voltage range)	mV	20		40		80	
	Maximum Load Regulation (0-100% load) (*3)	mV	40		100		600	
	Temperature Coefficient (Ambient temperature -40°C to +50°C)		80mV		200mV		300mV	
	Max Power Total Regulation (max)(*4)	%	± 3				± 5	
	Maximum Ripple & Noise (typ/max) (*5)	mVp-p	40/120			30/120		
	Voltage Adjustable Range	VDC	3.15-3.6	4.75-6.0	11.4-15.0		± 11.4- ± 15.0	
	Function	Over Current Protection (*6)		Available				
Over Voltage Protection			Not available					
Remote ON/OFF Control			Available					
Environment	Operating Ambient Temperature	°C	-40 to +85					
	Storage Ambient Temperature	°C	-40 to +85					
	Operating Ambient Humidity	% RH	5-95 (the conditions of maximum 38°C in wet bulb temperature and non-condensation should be ensured.)					
	Storage Ambient Humidity	% RH	5-95 (the conditions of maximum 38°C in wet bulb temperature and non-condensation should be ensured.)					
	Vibration		10-55Hz, 15 minutes sweep and 1.52mm total amplitude, 3 directions, 2h for each					
Isolation	Shock		980m/s <sup>2</sup> (100G), 6ms, 6 directions, 3 times for each, in non-operation					
	Withstand Voltage		Between input terminal and case, between input terminal and output terminal, and between output terminal and case: 500VAC (for 1 minute)					
	Isolation Resistance		Between input terminal and output terminal: 500VDC, 50MΩ min					
Standards	Safety Standards		Approved by UL62368-1, CSA62368-1, EN62368-1, UL60950-1, CSA60950-1, EN60950-1. (Expire date of 60950-1: 20/12/2020)					
Mechanical	Weight (typ)	g	10					
	Size (W x H x D)	mm	DIP: 35.56 x 8.5 x 22.6 / SMD: 35.56 x 8.8 x 22.6					

Note: "x" in model names is to be replaced by a symbol which represents the terminal configuration (F: DIP/R: SMD) for actual model names.

Note: With nominal input/output voltage, maximum output current, and Ta=25°C, if not specified separately.

Note: For 12V/±12V models, output voltage can be set to 15V/±15V by connecting the output adjustment terminal TRM to -Vout.

Note: For ± 12V model, output voltage can be set to 24V or 30V single output by making the COM terminal open.

(\*1) With nominal input voltage, maximum output current, and Ta=25°C.

(\*2) The maximum output power value is between -40°C and +50°C. For use in outside this temperature range, derating is needed.

(\*3) In balanced load for dual outputs ("balanced load" means a condition where the +output and -output of load current are equal).

(\*4) Output voltage includes input change, load change (balanced load), and temperature change.

(\*5) In 50MHz, Ta=25°C.

(\*6) Output current restriction method. Automatically resumes when the causes are removed. Never operate the unit under output-shortened or overload conditions for over 30 seconds.



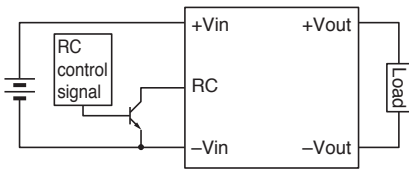
# CC-E Instruction Manual

## 1. Control functions/Protection functions/Connections

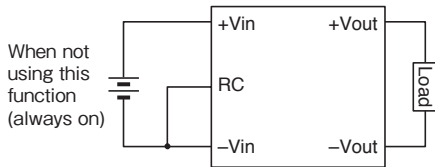
### 1. Remote On/Off terminal (RC)

Open collector is recommended as the connection system. Consult us for use with other systems. Use a transistor with "VCE: Vin or over" and "Ic: 1mA or over".

Output is switched off by setting the RC terminal open, and switched on by setting the RC terminal to LOW (0-0.4V).



When not using this function (always on), short-circuit between RC terminal and -Vin terminal.



### 1-2. Output voltage adjusting terminal (TRM)

Output voltage can be set to the values shown in the figure below by connecting the TRM terminal to the -Vout terminal.

When not using this function, set the TRM terminal to open. Note that when the output voltage is set high by this function, derating of output current is necessary according to the maximum power.

#### DIP/SMD models

Model name	Open	Connection to -Vout	Fig.
CC*-xx03Sx-E	3.3V	3.6V	1
CC*-xx05Sx-E	5V	6V	1
CC*-xx12Sx-E	12V	15V	1
CC*-xx12Dx-E	±12V	±15V	2

\* To be replaced with 1R5(1.5W), 3(3W), 6(6W), or 10(10W) for actual model names.

Fig.1

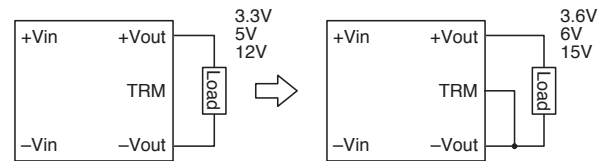
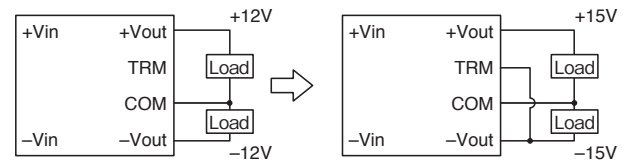


Fig.2



#### SIP models

Model name	Model name	Connection to -Vout	Fig.
CC3-xx03SS-E	3.3V	3.67V	3
CC3-xx05SS-E	5V	6V	3
CC3-xx12SS-E	12V	15V	3
CC3-xx12DS-E	±12V	±15V	4

Fig.3

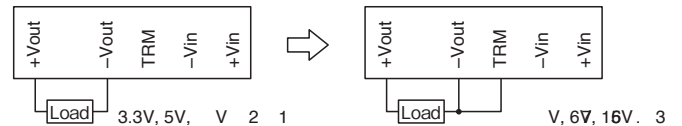
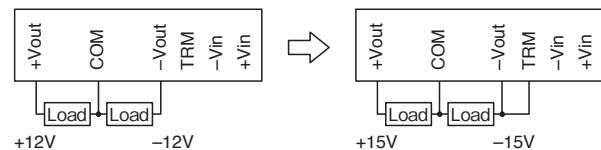


Fig.4

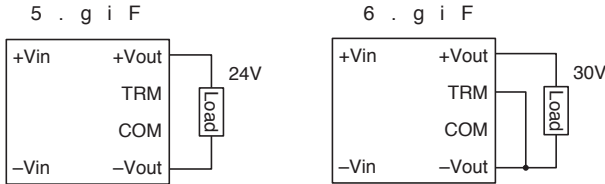


For the ±12V output model, output voltage can be set to 24V single output by making the COM terminal and TRM terminal open. And output voltage can be set to 30V single output by making the COM terminal open and connecting the TRM terminal to the -Vout terminal.

DIP/SMD models

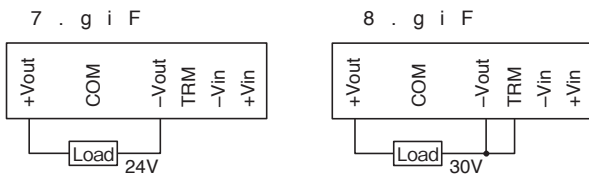
Model name	COM terminal	TRM terminal	Single output	Fig.
CC*-xx12Dx-E	Open	Open	24V	5
	Open	Connection to -Vout	30V	6

\* To be replaced with 1R5(1.5W), 3(3W), 6(6W), or 10(10W) for actual model names.



SIP models

Model name	COM terminal	TRM terminal	Single output	Fig.
CC3-xx12DS-E	Open	Open	24V	7
	Open	Connection to -Vout	30V	8



### 1-3. Output voltage adjusting function (adding external resistance)

Output voltage can be varied in the range shown in the figure below by connecting a resistance (Ra, Rb) between the TRM terminal and the -Vout terminal or between the TRM terminal and +Vout terminal.

Note that when the output voltage is set high, derating of output current is necessary according to the maximum power.

DIP/SMD models

Model name	Connection between -Vout and Ra	Fig.	Connection between +Vout and Rb	Fig.
CC*-xx03Sx-E	3.3 to 3.6V*1	9	3.15 to 3.3V*5	10
CC*-xx05Sx-E	5 to 6V*2	9	4.75 to 5V*6	10
CC*-xx12Sx-E	12 to 15V*3	9	11.4 to 12V*7	10
CC*-xx12Dx-E	±12 to ±15V*4	11	±11.4 to ±12V*8	12

\* To be replaced with 1R5(1.5W), 3(3W), 6(6W), or 10(10W) for actual model names.

Calculating output voltage Vout (V) from connected resistance Ra, Rb (kΩ)

Adding a resistance Ra between TRM terminal and -Vout terminal, to set the output voltage high

- \*1  $V_{out} = 3.3 + 9.59/(32+R_a)$
- \*2  $V_{out} = 5.01 + 17.64/(17.8+R_a)$
- \*3  $V_{out} = 12.01 + 50.53/(16.9+R_a)$
- \*4  $V_{out} = 12.02 + 53.55/(18+R_a)$

Adding a resistance Rb between TRM terminal and +Vout terminal, to set the output voltage low

- \*5  $V_{out} = 3.3 - 15.53/(39.6+R_b)$  [ $R_b \geq 62$ ]
- \*6  $V_{out} = 5.01 - 52.55/(31.8+R_b)$  [ $R_b \geq 160$ ]
- \*7  $V_{out} = 12.01 - 431.1/(57+R_b)$  [ $R_b \geq 620$ ]
- \*8  $V_{out} = 12.02 - 968.5/(103+R_b)$  [ $R_b \geq 1500$ ]

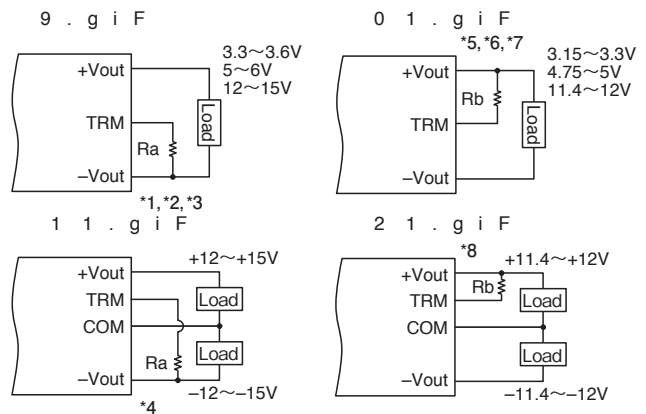
Calculating connected resistance Ra, Rb (kΩ) from set output voltage Vout (V)

Adding a resistance Ra between TRM terminal and -Vout terminal, to set the output voltage high

- \*1  $R_a = 9.59/(V_{out}-3.3) - 32$
- \*2  $R_a = 17.64/(V_{out}-5.01) - 17.8$
- \*3  $R_a = 50.53/(V_{out}-12.01) - 16.9$
- \*4  $R_a = 53.55/(V_{out}-12.02) - 18$

Adding a resistance Rb between TRM terminal and +Vout terminal, to set the output voltage low

- \*5  $R_b = 15.53/(3.3-V_{out}) - 39.6$
- \*6  $R_b = 52.55/(5.01-V_{out}) - 31.8$
- \*7  $R_b = 431.1/(12.01-V_{out}) - 57$
- \*8  $R_b = 968.5/(12.02-V_{out}) - 103$



SIP models

Model name	Connection between -Vout and Ra	Fig.	Connection between +Vout and Rb	Fig.
CC3-xx03SS-E	3.3 to 3.6V*1	13	3.15 to 3.3V*5	14
CC3-xx05SS-E	5 to 6V*2	13	4.75 to 5V*6	14
CC3-xx12SS-E	12 to 15V*3	13	11.4 to 12V*7	14
CC3-xx12DS-E	±12 to ±15V*4	15	±11.4 to ±12V*8	16

\* To be replaced with 1R5(1.5W), 3(3W), 6(6W), or 10(10W) for actual model names.

Calculating output voltage Vout (V) from connected resistance Ra, Rb (kΩ)

Adding a resistance Ra between TRM terminal and -Vout terminal, to set the output voltage high

- \*1  $V_{out} = 3.3 + 1.04/(2.83+R_a)$
- \*2  $V_{out} = 5 + 12.75/(12.69+R_a)$
- \*3  $V_{out} = 12 + 48.4/(16.18+R_a)$
- \*4  $V_{out} = 12 + 54.7/(18+R_a)$

Adding a resistance Rb between TRM terminal and +Vout terminal, to set the output voltage low

- \*5  $V_{out} = 3.3 - 1.69/(3.66+R_b)$  [ $R_b \geq 7.6$ ]
- \*6  $V_{out} = 5 - 12.78/(17.79+R_b)$  [ $R_b \geq 33.3$ ]
- \*7  $V_{out} = 12 - 184.1/(35.54+R_b)$  [ $R_b \geq 271.3$ ]
- \*8  $V_{out} = 12 - 470.3/(61.75+R_b)$  [ $R_b \geq 722.1$ ]



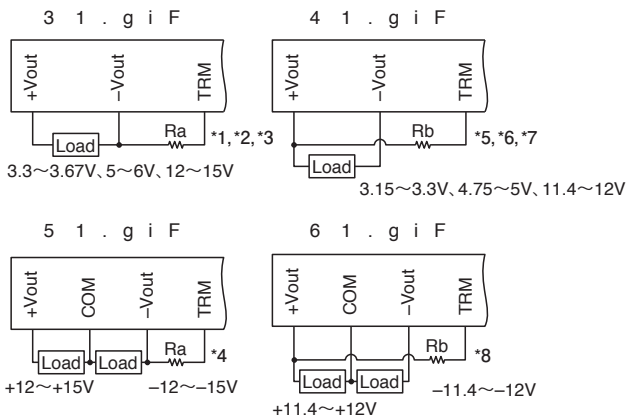
Calculating connected resistance Ra, Rb (kΩ) from set output voltage Vout (V)

Adding a resistance Ra between TRM terminal and -Vout terminal, to set the output voltage high

- \*1  $R_a = 1.04 / (V_{out} - 3.3) - 2.83$
- \*2  $R_a = 12.75 / (V_{out} - 5) - 12.69$
- \*3  $R_a = 48.4 / (V_{out} - 12) - 16.18$
- \*4  $R_a = 54.7 / (V_{out} - 12) - 18$

Adding a resistance Rb between TRM terminal and +Vout terminal, to set the output voltage low

- \*5  $R_b = 1.69 / (3.3 - V_{out}) - 3.66$
- \*6  $R_b = 12.78 / (5 - V_{out}) - 17.79$
- \*7  $R_b = 184.1 / (12 - V_{out}) - 35.54$
- \*8  $R_b = 470.3 / (12 - V_{out}) - 61.75$



### 1-4. Over current protection

An over current protection circuit is incorporated in the model, and if over current occurs, the output voltage is lowered. By removing the over current and shorted conditions, the output voltage automatically resumes. Note that if the over current status continues for 30 seconds or over, the internal elements of the converter may be deteriorated or damaged. The current value, from which it is judged as an over current, is not to be lower than the nominal current value. Due to fold back characteristics of OCP, the output may not rise up steady with constant current load or inductive load.

### 1-5. Over voltage protection

An over voltage protection function is not incorporated in the model. Be careful if an external voltage over the nominal voltage is applied, damage may be caused.

### 1-6. Low input voltage protection

This series is equipped with the low input voltage protection in order to prevent malfunction due to low input voltage. The converter stops operation if the input voltage become lower than the set voltage. The set ranges are shown in the table below.

Model name	Input voltage range	Voltage range set for protection circuit
CC*-05xxx-E	4.5 to 9V	3 to 4.5V
CC*-12xxx-E	9 to 18V	6 to 9V
CC*-24xxx-E	18 to 36V	13 to 18V
CC*-48xxx-E	36 to 76V	27 to 36V

\* To be replaced with 1R5(1.5W), 3(3W), 6(6W), or 10(10W) for actual model names.

The above setting value is fixed and cannot be adjusted externally.

### 1-7. Insulation withstand voltage

The insulation withstand voltage between input and output, and between terminal and case, is AC500V.

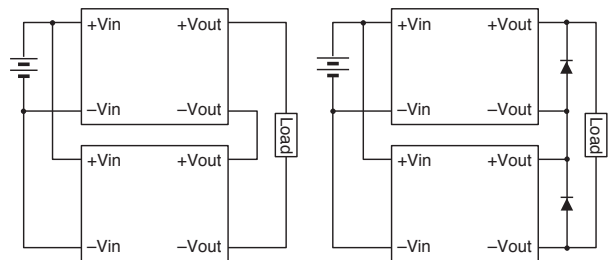
### 1-8. Series/Parallel connections

#### Series connection

Serial connection is applicable by wiring as shown in the figure below (left). If output voltage is not generated by this connection, connect a Schottky barrier diode in which the forward voltage is possibly low.

Also note that the Schottky barrier diode should have a reverse voltage that is twice or over the value of the voltage between +Vout and -Vout.

And the output current should be the same or lower than the nominal current value, whichever is smaller in the converters.



#### Parallel connection

Parallel connection is not applicable.

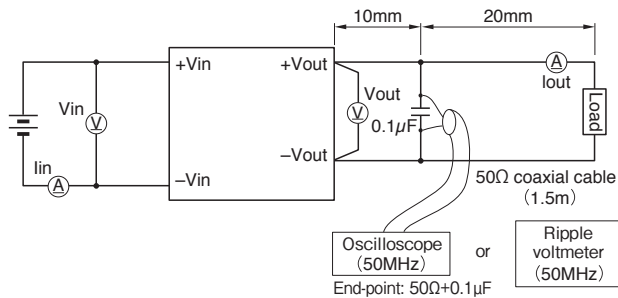
## 2. Noise reduction methods

### 2-1. Output ripple noise measurement method

The measured value of the converter noise may differ depending on the measurement method. Measurement should be conducted in a position close to the output terminal. When connecting a probe, do not allow a loop to be configured in order not to pick up flux.

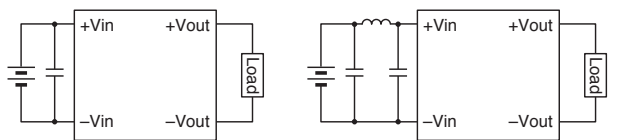
As well, note that the spike voltage greatly differs depending on the ripple voltmeter and frequency band of the oscilloscope.

Our noise measurement is conducted by the wiring shown in the figure below and in the frequency band of 50MHz.

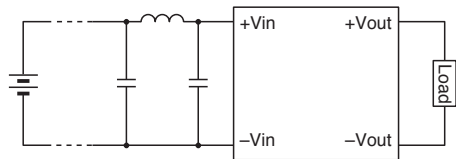


### 2-2. Input ripple noise

This series is equipped with a built-in capacitor for input. However, by connecting a capacitor with around 10µF, input ripple noise and input return noise can be reduced.



When the distance to the input of the converter from the input power supply is long, attach a capacitor as close as possible to the input terminal.

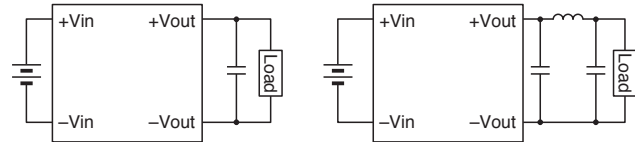


When the distance to the input of the converter from the input power supply is long, the impedance of the input line can become high, causing high spike noise.

In this case, it is recommended to connect a capacitor as close as possible to the input of the DC-DC converter.

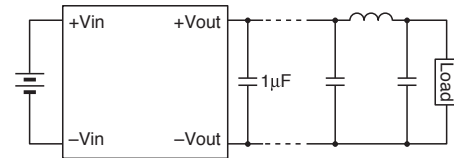
### 2-3. Output ripple & noise

To reduce Output ripple & noise, connect a capacitor to the output of the converter. In addition, reduction can be enhanced if a π type filter is incorporated as shown in the figure below. In this case, use of a coil with around 100µH is recommended.



When the distance to the load from the output of the converter is long, connect the capacitor as close as possible to the load.

To reduce output spike noise, connect a ceramic capacitor with around 1µF to the output of the converter.



### 2-4. Capacity of external capacitor connected to output

Note that if a capacitor with capacity over the value shown in the table below is connected to the output, or several capacitors with low impedance are connected in parallel, operation of the converter may become unstable.

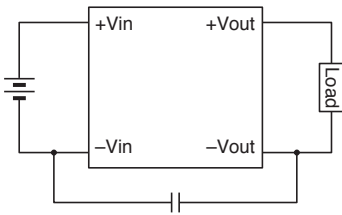
Model name	Electrostatic capacitance (µF) max.
CC1R5-xx03Sx-E	100
CC1R5-xx05Sx-E	100
CC1R5-xx12Sx-E	47
CC1R5-xx12Dx-E	22
CC3-xx03Sx-E	220
CC3-xx05Sx-E	220
CC3-xx12Sx-E	100
CC3-xx12Dx-E	47
CC6-xx03Sx-E	470
CC6-xx05Sx-E	470
CC6-xx12Sx-E	220
CC6-xx12Dx-E	100
CC10-xx03Sx-E	470
CC10-xx05Sx-E	470
CC10-xx12Sx-E	220
CC10-xx12Dx-E	100

### 2-5. Common mode noise

For products other than with 10W, capacitors are not connected between the primary GND and the secondary GND. To reduce common mode noise, connect a capacitor with around 1000pF between the primary GND and the secondary GND, as shown in the figure below.

In this case, note that if the capacitor that is connected is too large, coupling capacitance between input and output becomes large.

Also be careful about the withstand voltage of the capacitor (500V or over is desirable with consideration of the insulation withstand voltage).



For products with 10W, capacitors with 1000pF are internally connected between primary and secondary.

### 2-6. Radiation noise

Radiation noise of the converter can be reduced by connecting the case terminal to the input or output GND terminal. The effectiveness varies depending on the device. Check it on the actual device.

Regarding wiring, use GND line and solid pattern for the bottom of the converter as much as possible.

- SMD models are not equipped with case terminals.

## 3. Soldering conditions/Cleaning conditions

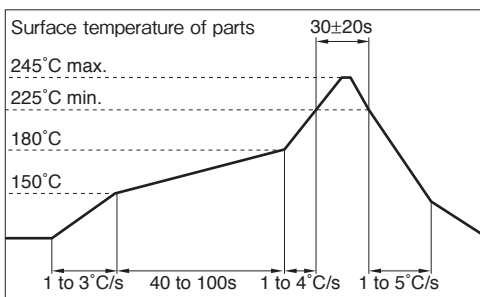
### 3-1. Soldering conditions

● Soldering conditions  
DIP models / SIP models

Observe the following conditions in soldering board.

Solder dip	260°C, 10s max., 1 time
Soldering copper	380°C, 3s max., 1 time/PIN

SMD models  
Lead-free soldering / High-temperature reflow process



The reflow must be 1 time only.  
(Do not reflow with the on-board module on the motherboard underside.)

### 3-2. Cleaning method

Board cleaning after soldering is not recommended. However, the cleaning fluids and conditions shown in the table below have been tested and proved to have no problem. These fluids and conditions can be used.

Cleaning fluids and test conditions

Cleanthrough 750H

- (1) Cleaning (shaking) at 60°C for 4 minutes
- (2) Rinsing (shaking in water) at 60°C for 4 minutes
- (3) Rinsing (shaking in water) at ordinary temperature - 40°C for 4 minutes
- (4) Drying at 70°C for 6 minutes

Pine alpha ST100S

- (1) Cleaning (shaking) at 60°C for 5 minutes
- (2) Rinsing (shaking in water) at 30°C for 3 minutes
- (3) Drying at 70°C for 6 minutes

Terpene Cleaner EC-7R

- (1) Cleaning (shaking) at 60°C for 5 minutes
- (2) Rinsing (shaking in IPA) at 30°C for 10 minutes
- (3) Drying at 70°C for 6 minutes

Isopropyl alcohol

- (1) Ultrasonic waves at 60°C for 1 minute
- (2) Cool bath cleaning R.T. for 1 minute
- (3) Vapor cleaning at 83°C for 1 minutes

Asahiklin AK-225AES

- (1) Ultrasonic waves at 50°C for 2 minutes
- (2) Cool bath cleaning R.T. for 2 minutes

# Mouser Electronics

Authorized Distributor

Click to View Pricing, Inventory, Delivery & Lifecycle Information:

## TDK-Lambda:

[CC10-0503SF-E](#) [CC10-0503SR-E](#) [CC10-0505SF-E](#) [CC10-0512DF-E](#) [CC10-0512DR-E](#) [CC10-0512SF-E](#) [CC10-0512SR-E](#) [CC10-1203SF-E](#) [CC10-1203SR-E](#) [CC10-1205SR-E](#) [CC10-1212DF-E](#) [CC10-1212DR-E](#) [CC10-1212SF-E](#) [CC10-1212SR-E](#) [CC10-2403SF-E](#) [CC10-2403SR-E](#) [CC10-2405SF-E](#) [CC10-2405SR-E](#) [CC10-2412DF-E](#) [CC10-2412DR-E](#) [CC10-2412SF-E](#) [CC10-2412SR-E](#) [CC10-4805SF-E](#) [CC10-4812DR-E](#) [CC10-4812SF-E](#) [CC10-4812SR-E](#) [CC15-2403SF-E](#) [CC15-2403SFH-E](#) [CC15-2403SFP-E](#) [CC15-2403SR-E](#) [CC15-2403SRH-E](#) [CC15-2403SRP-E](#) [CC15-2405SF-E](#) [CC15-2405SFH-E](#) [CC15-2405SFP-E](#) [CC15-2405SR-E](#) [CC15-2405SRH-E](#) [CC15-2405SRP-E](#) [CC15-2412SRH-E](#) [CC15-2412SRP-E](#) [CC15-2415SFH-E](#) [CC15-2415SRH-E](#) [CC15-2415SRP-E](#) [CC15-4803SFP-E](#) [CC15-4803SRH-E](#) [CC15-4803SRP-E](#) [CC15-4805SFH-E](#) [CC15-4805SFP-E](#) [CC15-4805SRH-E](#) [CC15-4812SFP-E](#) [CC15-4812SRH-E](#) [CC15-4812SRP-E](#) [CC15-4815SFH-E](#) [CC15-4815SFP-E](#) [CC15-4815SRH-E](#) [CC15-4815SRP-E](#) [CC1R5-0503SF-E](#) [CC1R5-0503SR-E](#) [CC1R5-0505SF-E](#) [CC1R5-0505SR-E](#) [CC1R5-0512DF-E](#) [CC1R5-0512DR-E](#) [CC1R5-0512SF-E](#) [CC1R5-0512SR-E](#) [CC1R5-1203SR-E](#) [CC1R5-1205SF-E](#) [CC1R5-1212DF-E](#) [CC1R5-1212DR-E](#) [CC1R5-1212SF-E](#) [CC1R5-1212SR-E](#) [CC1R5-2403SF-E](#) [CC1R5-2412DR-E](#) [CC1R5-2412SF-E](#) [CC1R5-2412SR-E](#) [CC1R5-4803SF-E](#) [CC1R5-4805SF-E](#) [CC1R5-4805SR-E](#) [CC1R5-4812DF-E](#) [CC1R5-4812DR-E](#) [CC1R5-4812SR-E](#) [CC25-2403SF-E](#) [CC25-2403SR-E](#) [CC25-2405SR-E](#) [CC3-0503SF-E](#) [CC3-0503SR-E](#) [CC3-0505SF-E](#) [CC3-0505SR-E](#) [CC3-0512DR-E](#) [CC3-0512SF-E](#) [CC3-0512SR-E](#) [CC3-1203SF-E](#) [CC3-1203SR-E](#) [CC3-1205SR-E](#) [CC3-1212DF-E](#) [CC3-1212DR-E](#) [CC3-1212SF-E](#) [CC3-1212SR-E](#) [CC3-2403SF-E](#) [CC3-2403SR-E](#) [CC3-2405SF-E](#)