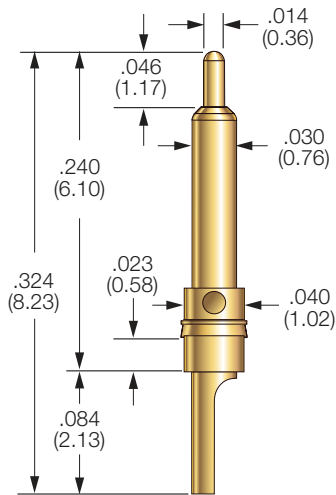
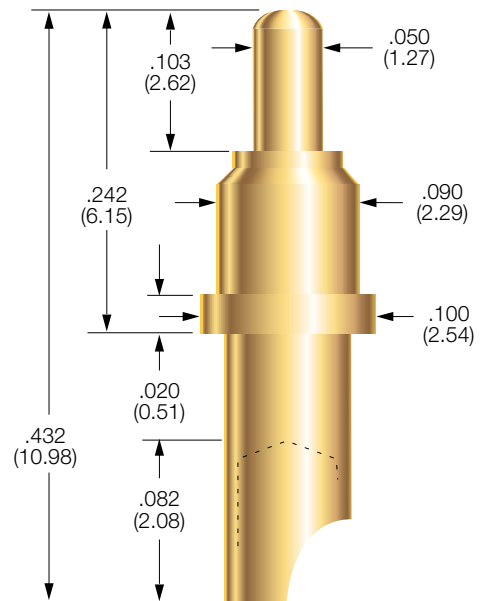


Battery and Connector Probes

101679 PROBE



101628 PROBE



PROBE SPECIFICATIONS

Minimum Centers: .055 (1.40)
Current Rating: 3 amps continuous
 (Individual probe in free air @ ambient temperature)
Spring Force: 1.3 oz. (37g) @ .023 (0.58) travel
Typical Resistance: < 25 mΩ
Maximum Travel: .023 (0.58)
Working Travel: .023 (0.58)

MATERIALS

Barrel: Brass, gold plated
Spring: Stainless steel
Plunger: Brass, gold plated

PROBE SPECIFICATIONS

Minimum Centers: .125 (3.18)
Current Rating: 25 amps continuous
 (Individual probe in free air @ ambient temperature)
Spring Force: 5.3 oz. (150g) @ .040 (1.02) travel
Typical Resistance: < 5 mΩ
Maximum Travel: .040 (1.02)
Working Travel: .040 (1.02)

MATERIALS

Barrel: Brass, gold plated
Spring: Music wire, nickel plated
Plunger: Beryllium copper, gold plated
Ball: Stainless steel

HOW TO ORDER

101679-000

HOW TO ORDER

101628-000

Specifications subject to change without notice. Dimensions in inches (millimeters)

Mouser Electronics

Authorized Distributor

Click to View Pricing, Inventory, Delivery & Lifecycle Information:

[Smiths Interconnect:](#)

[101679-000](#)