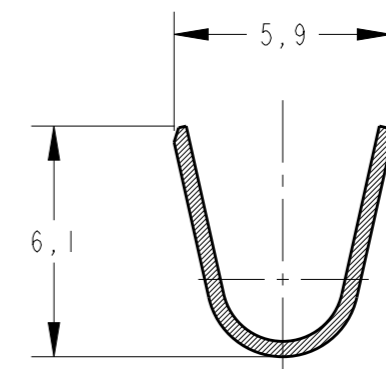
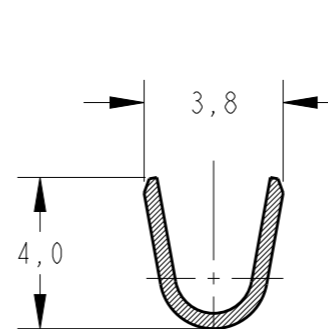
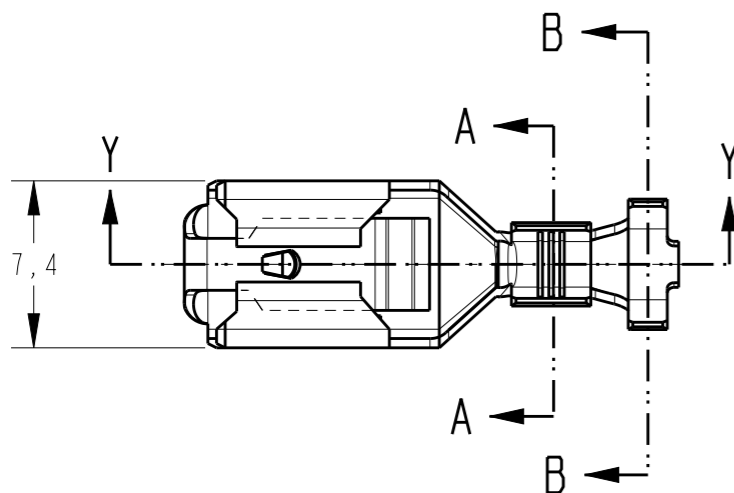


creo
 Creo Parametric 2.0
**DO NOT REVISE
 EXCEPT BY CAD**

REVISIONS

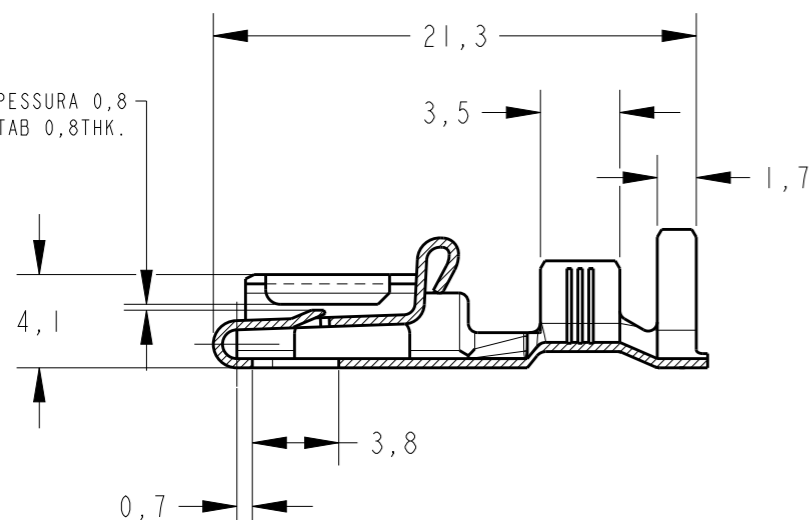
P	LTR	DESCRIPTION	DATE	DWN	APVD
	C	REDRAW BY CAD ECO-14-08818	22SEP2014	NCL	LWP
	CI	REVISED BY ECO 16-003723	29JUN2016	HC	WLS



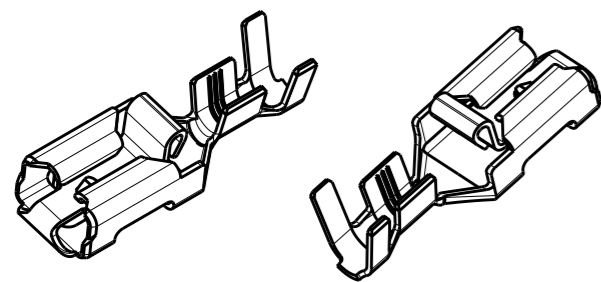
SECTION A-A
SCALE 5:1

SECTION B-B
SCALE 5:1

PARA LINGUETA ESPESSURA 0,8
FOR TAB 0,8THK.



SECTION Y-Y



PERSPECTIVE VIEWS
SCALE 2:1

OBSOLETE	ESTANHADO/TIN PLATED	LATÃO / BRASS	880645 -9
	PRÉ ESTANHADO/PRE TIN	LATÃO / BRASS	880645 -6
	ESTANHADO/TIN PLATED	BRONZE FOSF./PHOSP BRONZE	880645 -4
OBSOLETE	ESTANHADO/TIN PLATED	LATÃO / BRASS	880645 -3
		BRONZE FOSF./PHOSP BRONZE	880645 -2
OBSOLETE		LATÃO / BRASS	880645 -1
	FINISH	MATERIAL	PART NUMBER

INS. RANGE	WIRE RANGE
∅ 2,7-4,0mm	>1,0-2,5mm ²

THIS DRAWING IS A CONTROLLED DOCUMENT.

DWN NCLAPRESA 16 JUL 2012
 CHK JRGOLDSCHMIDT 16 JUL 2012
 APVD 16 JUL 2012

STE TE Connectivity

NAME: -
 PRODUCT SPEC: -
 APPLICATION SPEC: -
 WEIGHT: -

SIZE: A3 CAGE CODE: 00779 DRAWING NO: C-880645 RESTRICTED TO: -

MATERIAL: SEE TABLE FINISH: SEE TABLE

Customer Drawing SCALE: - SHEET: 1 OF 1 REV: CI

Mouser Electronics

Authorized Distributor

Click to View Pricing, Inventory, Delivery & Lifecycle Information:

[TE Connectivity:](#)

[880645-6](#)