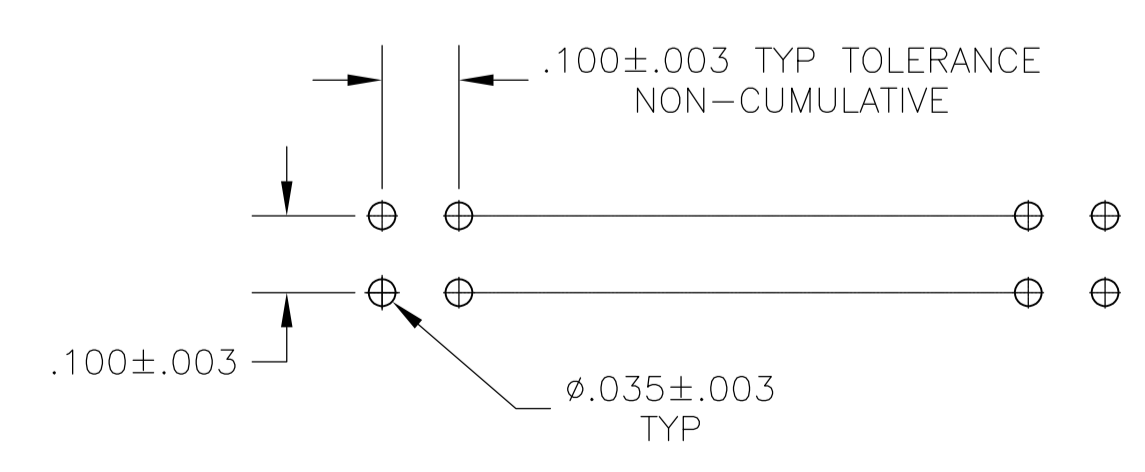
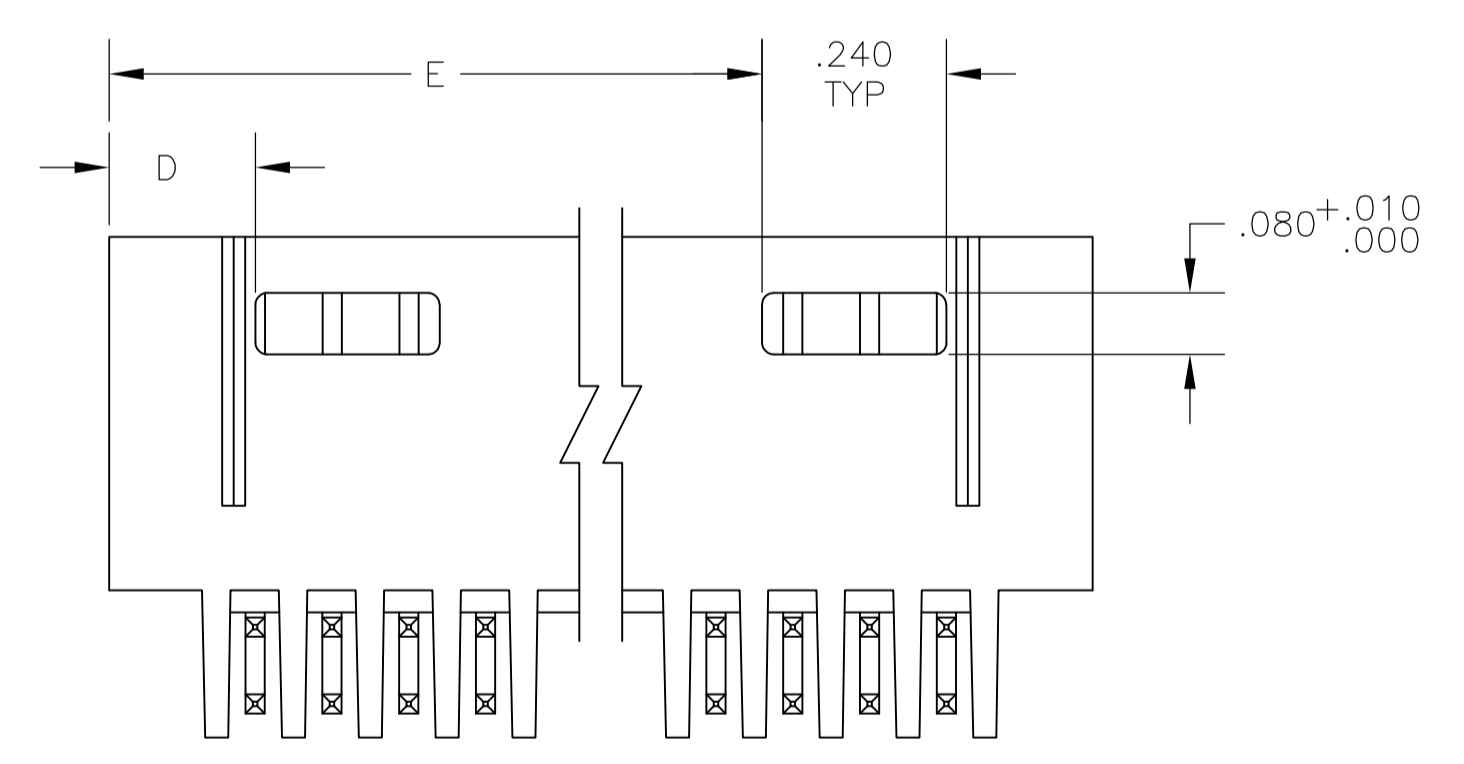
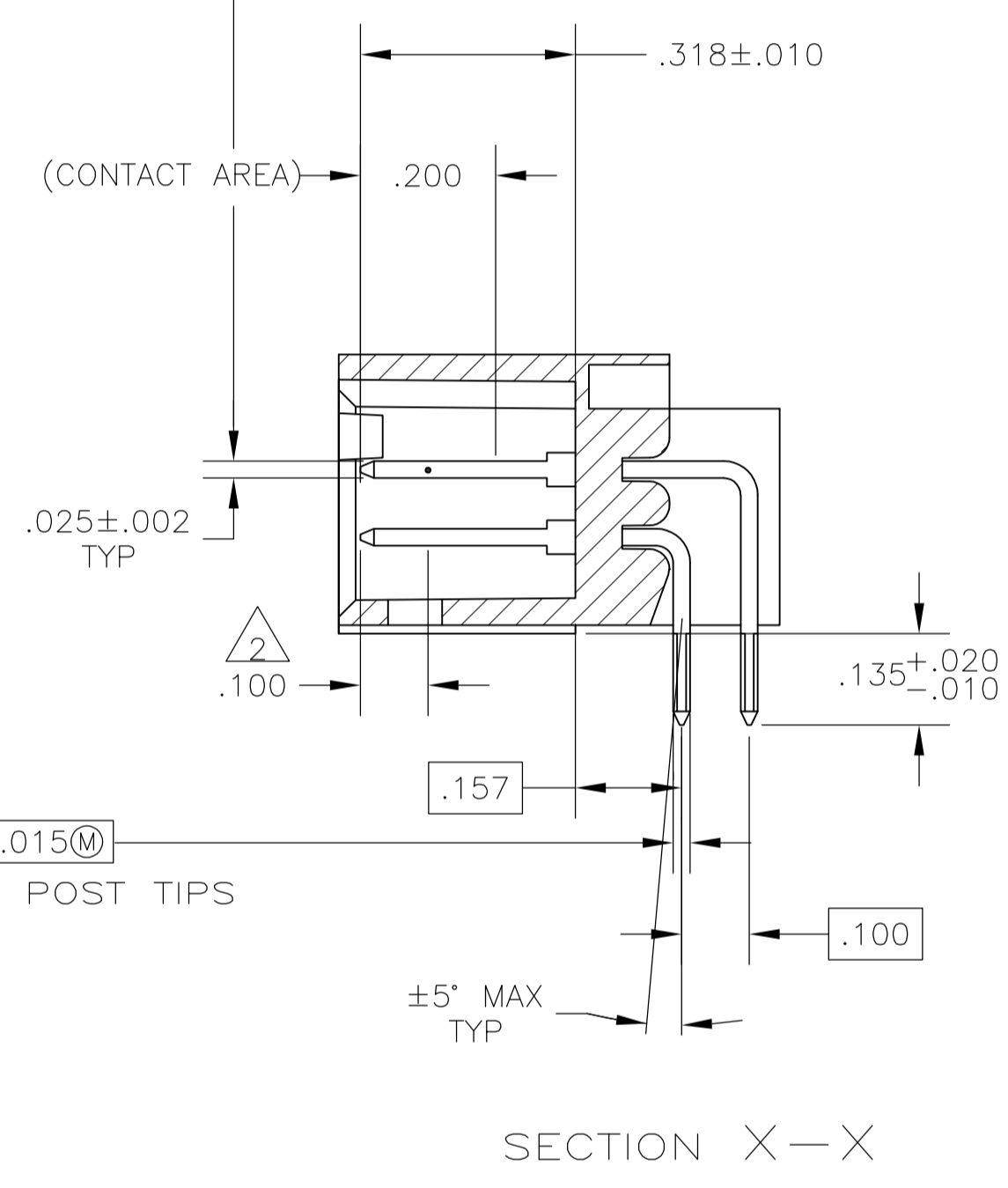
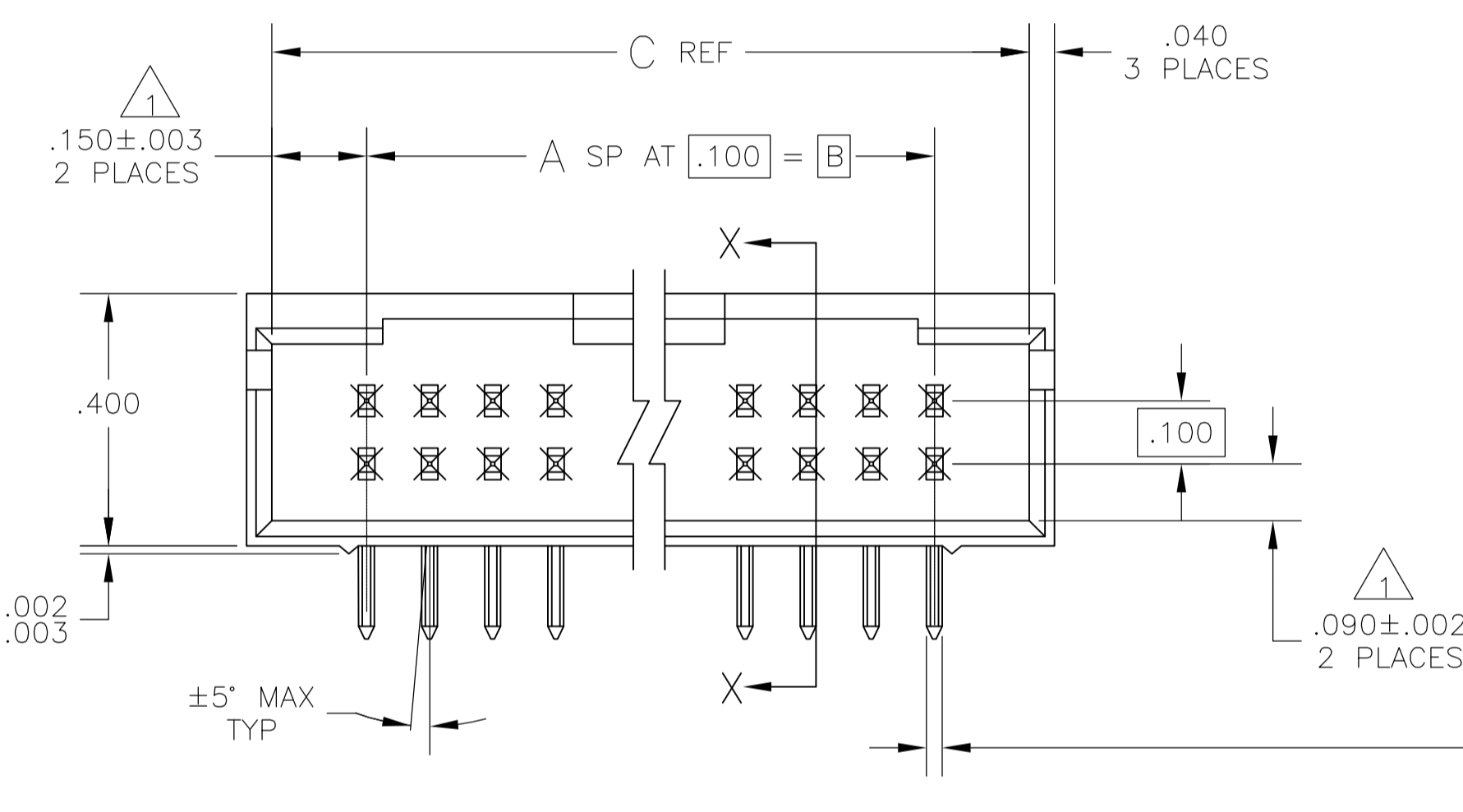
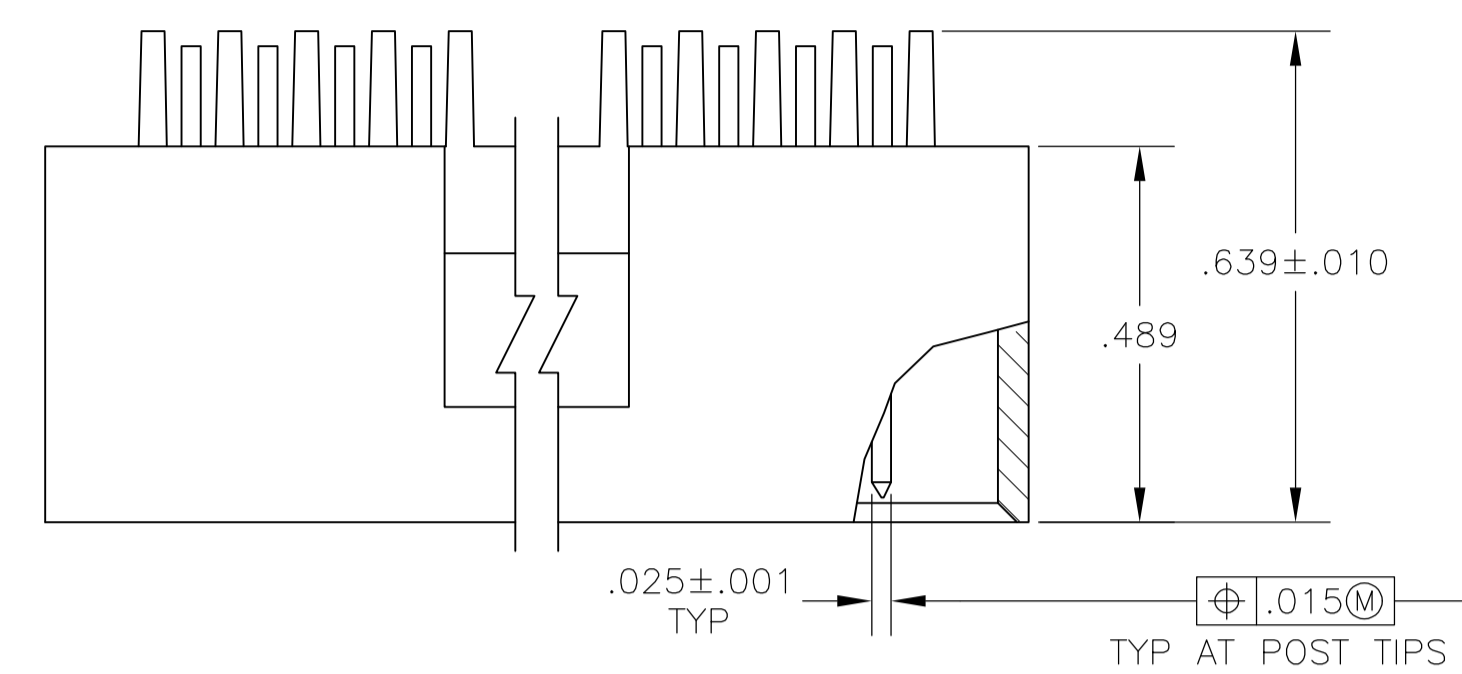


REVISED PER		ECO-12-008028		DATE	BY	APPV
N4	REVISED	PER	ECO-12-008028	27APR12	KH	MM

- 1 THE NOTED DIMENSION APPLIES AT THE INTERSECTION OF THE POST AND HOUSING
- 2 POINT OF MEASUREMENT FOR PLATING THICKNESS.
- 3 POSTS: .000030 GOLD IN CONTACT AREA .000100-.000200 MATTE TIN LEAD ON SOLDER TAIL, ALL OVER .000050 NICKEL
- 4 POSTS: .000030 GOLD IN CONTACT AREA .000100-.000200 MATTE TIN ON SOLDER TAIL, ALL OVER .000050 NICKEL
- 5 OBSOLETE PARTS: OBSOLETE CIS STREAMLINING PER D.RENAUD/D.SINISI



PLATING	E	D	C	B	A	NO OF POSN	ASSEMBLY PART NUMBER
5	4	4	4	4	4	35	72 8-103167-3
5	4	4	4	4	4	34	70 8-103167-2
5	4	4	4	4	4	33	68 8-103167-1
5	4	4	4	4	4	32	66 8-103167-0
5	4	4	4	4	4	31	64 7-103167-9
5	4	4	4	4	4	30	62 7-103167-8
5	4	4	4	4	4	29	60 7-103167-7
5	4	4	4	4	4	28	58 7-103167-6
5	4	4	4	4	4	27	56 7-103167-5
5	4	4	4	4	4	26	54 7-103167-4
5	4	4	4	4	4	25	52 7-103167-3
5	4	4	4	4	4	24	50 7-103167-2
5	4	4	4	4	4	23	48 7-103167-1
5	4	4	4	4	4	22	46 7-103167-0
5	4	4	4	4	4	21	44 6-103167-9
5	4	4	4	4	4	20	42 6-103167-8
5	4	4	4	4	4	19	40 6-103167-7
5	4	4	4	4	4	18	38 6-103167-6
5	4	4	4	4	4	17	36 6-103167-5
5	4	4	4	4	4	16	34 6-103167-4
5	4	4	4	4	4	15	32 6-103167-3
5	4	4	4	4	4	14	30 6-103167-2
5	4	4	4	4	4	13	28 6-103167-1
5	4	4	4	4	4	12	26 6-103167-0
5	4	4	4	4	4	11	24 5-103167-9
5	4	4	4	4	4	10	22 5-103167-8
5	4	4	4	4	4	9	20 5-103167-7
5	4	4	4	4	4	8	18 5-103167-6
5	4	4	4	4	4	7	16 5-103167-5
5	4	4	4	4	4	6	14 5-103167-4
5	4	4	4	4	4	5	12 5-103167-3
5	4	4	4	4	4	4	10 5-103167-2
5	4	4	4	4	4	3	8 5-103167-1
5	4	4	4	4	4	35	72 3-103167-3
5	4	4	4	4	4	34	70 3-103167-2
5	4	4	4	4	4	33	68 3-103167-1
5	4	4	4	4	4	32	66 3-103167-0
5	4	4	4	4	4	31	64 2-103167-9
5	4	4	4	4	4	30	62 2-103167-8
5	4	4	4	4	4	29	60 2-103167-7
5	4	4	4	4	4	28	58 2-103167-6
5	4	4	4	4	4	27	56 2-103167-5
5	4	4	4	4	4	26	54 2-103167-4
5	4	4	4	4	4	25	52 2-103167-3
5	4	4	4	4	4	24	50 2-103167-2
5	4	4	4	4	4	23	48 2-103167-1
5	4	4	4	4	4	22	46 2-103167-0
5	4	4	4	4	4	21	44 1-103167-9
5	4	4	4	4	4	20	42 1-103167-8
5	4	4	4	4	4	19	40 1-103167-7
5	4	4	4	4	4	18	38 1-103167-6
5	4	4	4	4	4	17	36 1-103167-5
5	4	4	4	4	4	16	34 1-103167-4
5	4	4	4	4	4	15	32 1-103167-3
5	4	4	4	4	4	14	30 1-103167-2
5	4	4	4	4	4	13	28 1-103167-1
5	4	4	4	4	4	12	26 1-103167-0
5	4	4	4	4	4	11	24 103167-9
5	4	4	4	4	4	10	22 103167-8
5	4	4	4	4	4	9	20 103167-7
5	4	4	4	4	4	8	18 103167-6
5	4	4	4	4	4	7	16 103167-5
5	4	4	4	4	4	6	14 103167-4
5	4	4	4	4	4	5	12 103167-3
5	4	4	4	4	4	4	10 103167-2
5	4	4	4	4	4	3	8 103167-1
5	4	4	4	4	4	3	8 103167-1

THIS DRAWING IS A CONTROLLED DOCUMENT. DTN H MOLL 27JUL87
 CHK R FLIDT 28JUL87
 APPV R FLICKER 29JUL87
 NAME
 PRODUCT SPEC
 APPLICATION SPEC
 SIZE
 WEIGHT
 CUSTOMER DRAWING

TOLERANCES UNLESS OTHERWISE SPECIFIED:
 0. PLC ± .005
 1. PLC ± .005
 2. PLC ± .005
 3. PLC ± .005
 4. PLC ± .005
 ANGLES ± .005

FINISH SEE TABLE

DATE 27JUL87
 NAME
 SIZE
 WEIGHT
 CUSTOMER DRAWING

STE TE Connectivity
 HDR ASSY, MOD II, SHROUDED,
 4 SIDES, DBL ROW, .100X.100
 RIGHT ANGLE, W/ .025 SQ POSTS

SCALE 4:1 SHEET 1 of 1 REV N4

Mouser Electronics

Authorized Distributor

Click to View Pricing, Inventory, Delivery & Lifecycle Information:

[TE Connectivity:](#)

[103167-3](#)