

V4 83170 Mushroom-head button Standard 831700 Part number made to order



- Nominal ratings 0.1 A to 10 A / 250 VAC
- Minimum rating 1 mA / 4 VDC
- Operating temperature up to +125 °C
- Operated via multidirectional action
- Conforming to standards EN 61058 and UL 1054
- Choice of actuators with 2 possible fixing positions

Part numbers

Type	Function	Connections
MADE TO ORDER Standard 831700	I (changeover)	W2 - W7A5 - X1 - X1S - X2 - X2S - X3 - X3S

Specifications

Electrical characteristics

Rating nominal / 250 VAC (A)	10
Rating thermal / 250 VAC (A)	12,5

Mechanical characteristics

Maximum operating force (N)	1,5
Min. Release force (N)	0,3
Maximum total travel force (N)	1,8
Max. permitted overtravel force (N)	10
Maximum rest position (mm)	10,8
Operating position (mm)	9,9 ^{±0,3}
Maximum differential travel (mm)	0,15
Min. overtravel (mm)	0,5
Ambient operating temperature (°C)	-20 → +125
Mechanical life (operations)	10 ^{6**}
Contact gap (mm)	0,4
Weight (g)	1,7

Comments

* see operating curves

** for 2/3 of the overtravel

Additional specifications

Components

Material

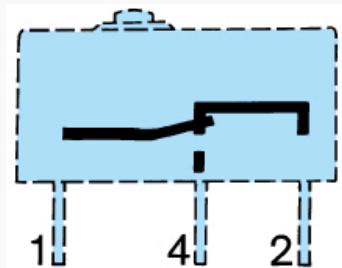
- Case : polyester UL 94 VO
- Button : glass-filled polyamide
- Contacts : nickel silver - gold alloy (dual-current)
- Terminals : cupro-nickel except W7A5 in brass

Levers

- Flat : stainless steel
- Roller : stainless steel, polyamide roller

Approvals : NF - UL - cUL

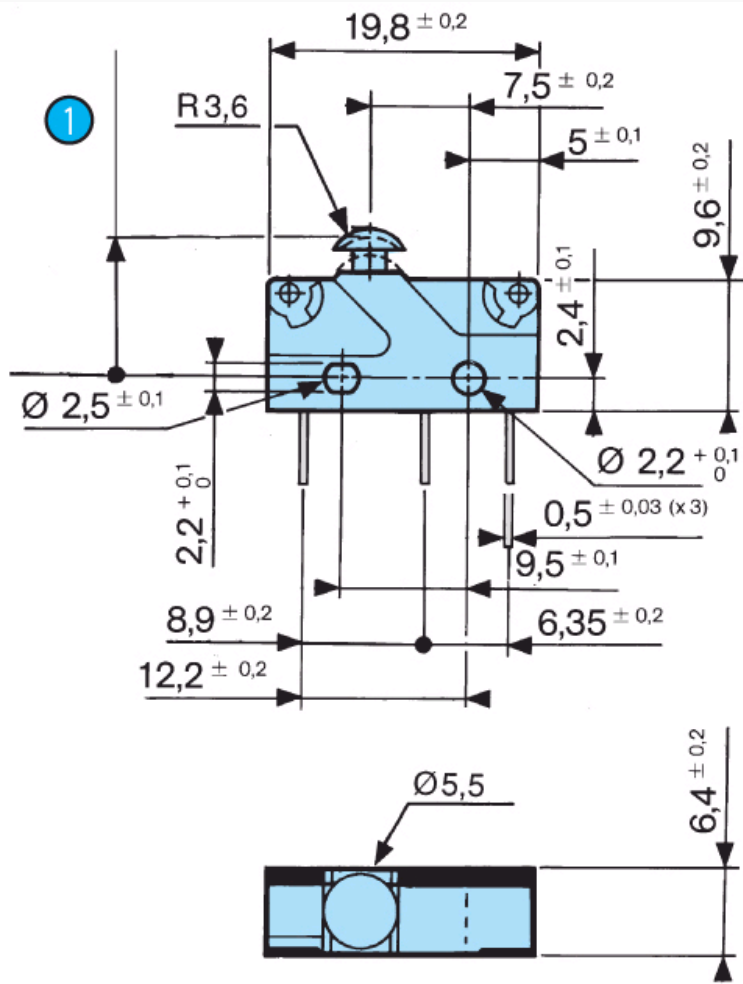
Principles



Dimensions (mm)

Product

83170
Asymmetrical version

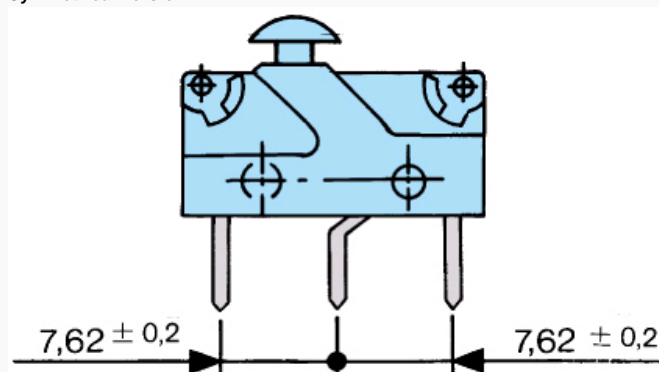


N°	Legend
1	OL : 9.1 max.

Dimensions (mm)

Product

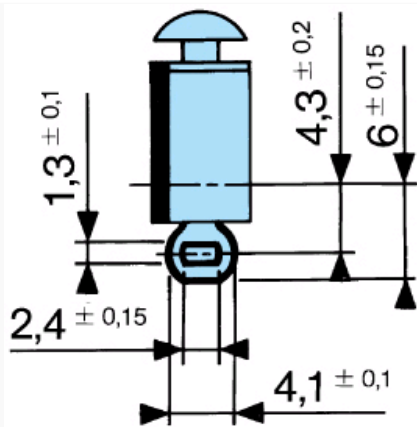
83170
Symmetrical version



Dimensions (mm)

Connections

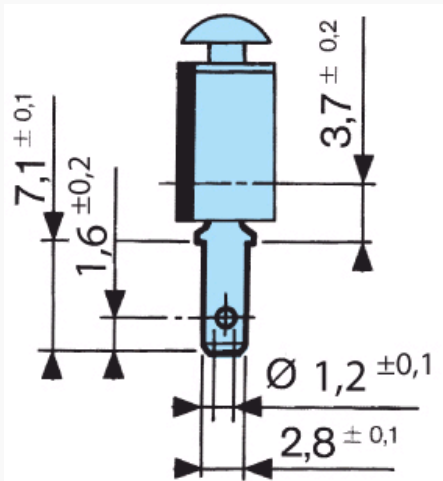
W2



Dimensions (mm)

Connections

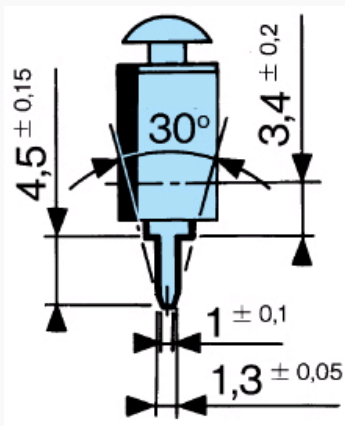
W7A5



Dimensions (mm)

Connections

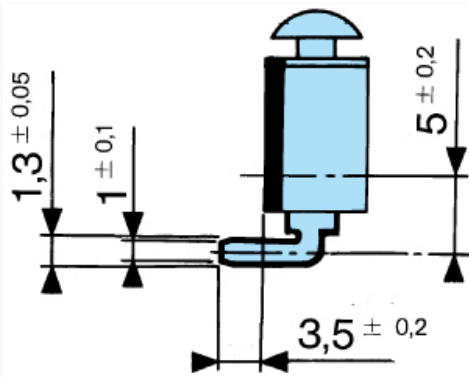
X1 - X1S



Dimensions (mm)

Connections

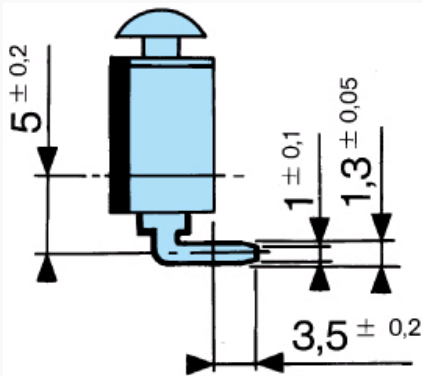
X2 - X2S



Dimensions (mm)

Connections

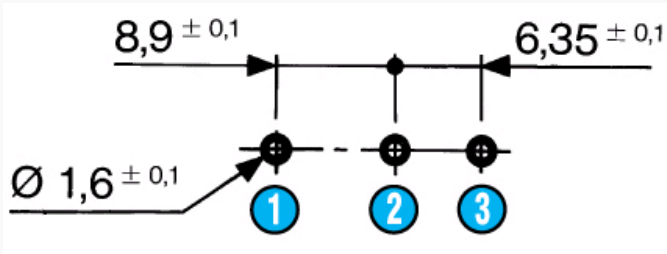
X3 - X3S



Dimensions (mm)

Drilling

Printed circuit board mounting
Asymmetrical X1 - X2 - X3

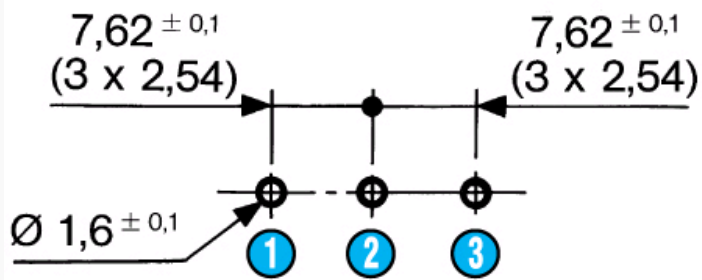


N°	Legend
1	1.C
2	4.NO
3	2.NC

Dimensions (mm)

Drilling

Printed circuit board mounting
Symmetrical X1S - X2S - X3S

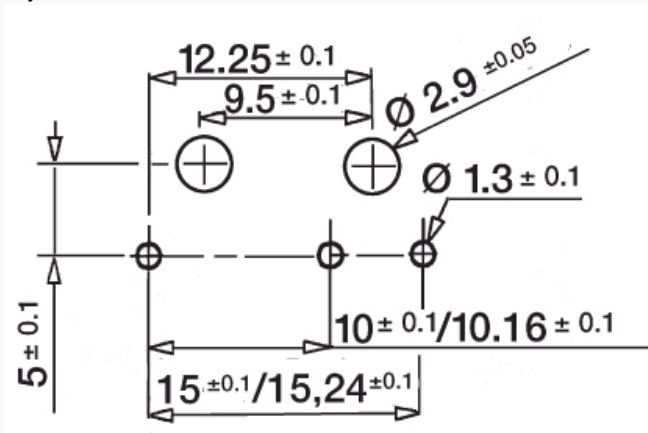


N°	Legend
1	1.C
2	4.NO
3	2.NC

Dimensions (mm)

Drilling

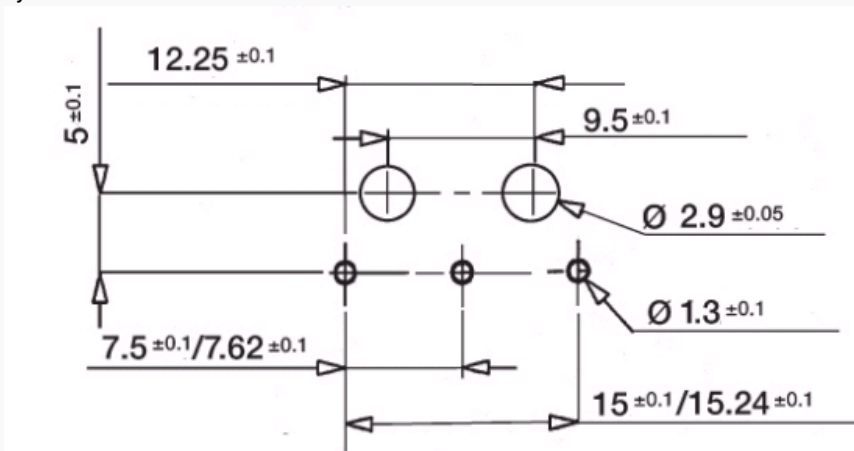
Mounting on a printed circuit board with fixing pins
Asymmetrical



Dimensions (mm)

Drilling

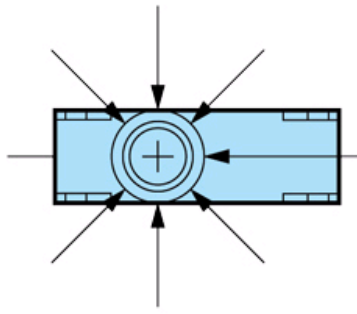
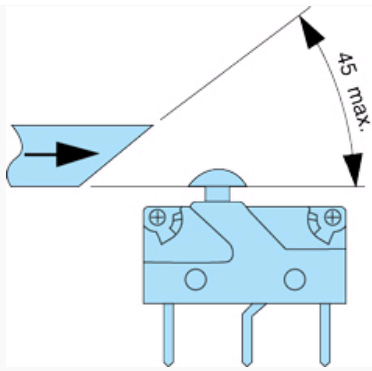
Mounting on a printed circuit board with fixing pins
Symmetrical



Dimensions (mm)

Connections

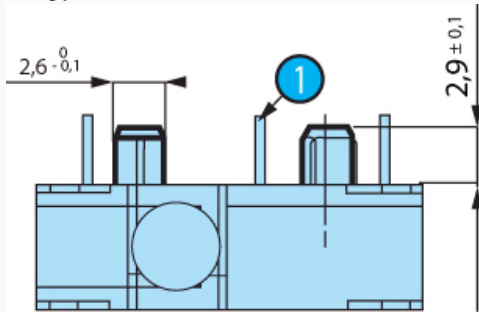
Recommendations for operation from the side



Dimensions (mm)

Mounting accessories

Fixing pins

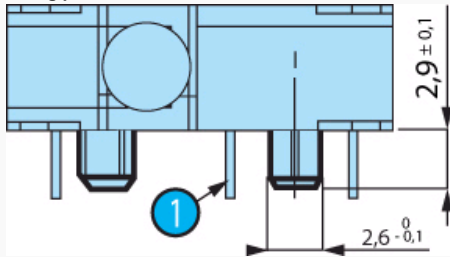


N°	Legend
①	Output on unit side : X2

Dimensions (mm)

Mounting accessories

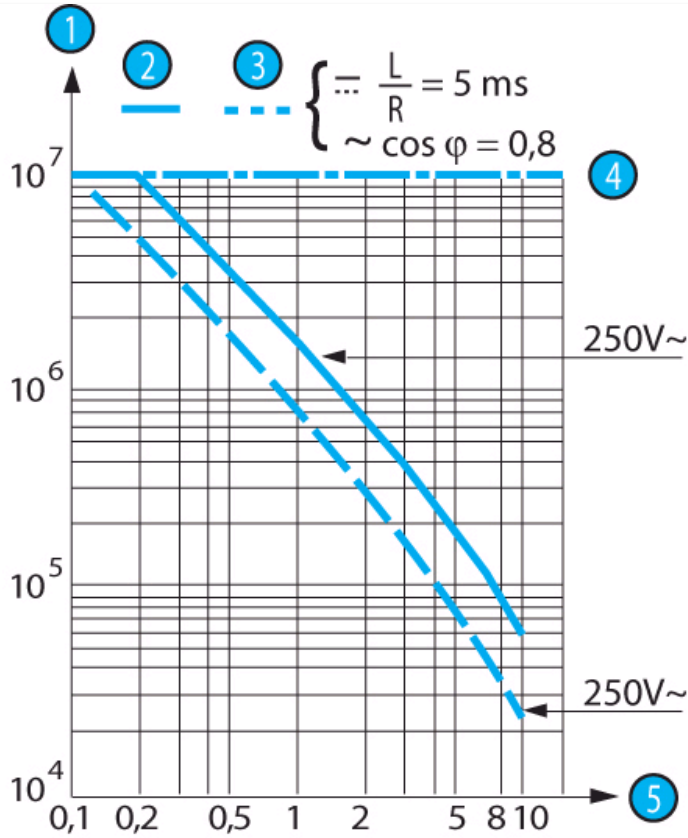
Fixing pins



N°	Legend
①	Output on cover side : X3

Curves

Operating curve for type 83 170 0



N°	Legend
1	Number of cycles
2	Resistive circuit
3	Inductive circuit
4	Mechanical life limit
5	Current in Amps

Other information

Mounting - Operation

See basic technical concepts

Product adaptations



- Special connections

Mouser Electronics

Authorized Distributor

Click to View Pricing, Inventory, Delivery & Lifecycle Information:

Crouzet:

[831700A1.0](#) [831700B1.0](#) [831700B2.0](#) [831700C1.AL](#) [831700C1.EL](#) [831700C1.LL](#) [831700C6.0](#) [831700C6.AR](#)
[831700C7.0](#) [831700C7.AR](#) [831700C3.EL](#) [831700B1.AL](#) [831700C1.0](#) [831700C2.0](#) [831700C2.AL](#) [831700C2.ER](#)
[831700C4.0](#) [831700C7.DL](#) [831700C8.0](#) [831700C8.AR](#) [831700C1.FR](#) [831700C3.CL](#) [831700A2.0](#) [831700C1.MB](#)
[831700C2.EL](#) [831700C3.0](#) [831700C5.0](#) [831700C5.AR](#) [831700C7.BL](#) [83170013](#) [83170162](#) [83170003](#) [83170010](#)
[83170197](#)