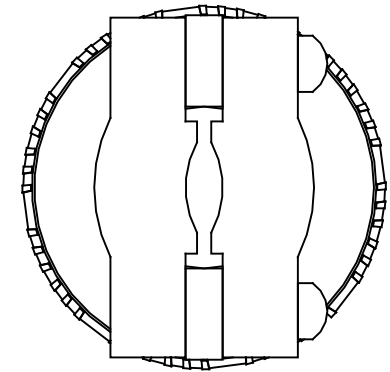
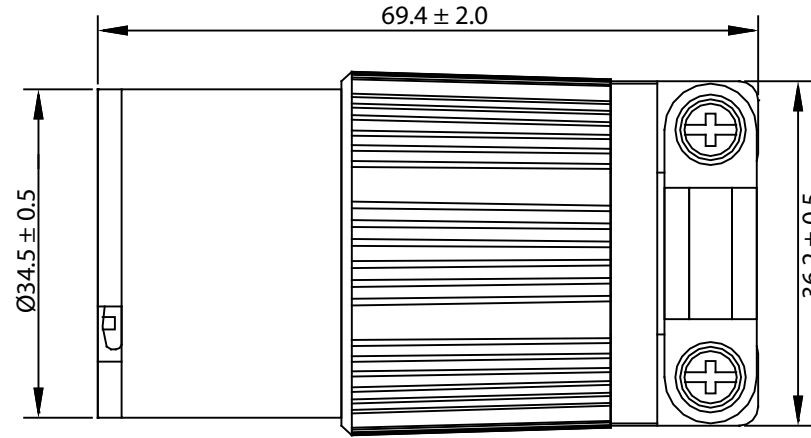
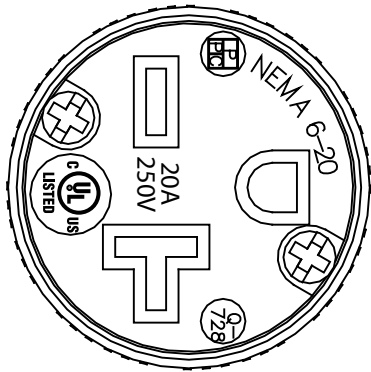


THESE DRAWINGS ARE THE PROPERTY OF QUALTEK ELECTRONICS AND NOT TO BE REPRODUCED FOR OR COMMUNICATED TO A THIRD PARTY WITHOUT THE EXPRESS WRITTEN PERMISSION OF AN OFFICER OF QUALTEK ELECTRONICS.

REVISION			
REV.	DESCRIPTION	DATE	APPROVED
B	Updated Specifications	04-15-09	LY



**CONTROLLED**

NOTES:

1. RATING: 20A 250VAC
2. COLOR: BLACK
3. CORD CLAMP: ACCEPTS 18/3 - 12/3 CABLE
4. TERMINAL I.D.:
  - A. GROUND TERMINAL COLORED GREEN AND MARKED "GR"
  - B. LINE WIRES TERMINAL SCREWS COLORED BLACK
5. APPROVALS: UL/cUL LISTED: E139592
6. ROHS COMPLIANT

Dim range (mm)		Tolerance +/- (mm)		<b>Qualtek Electronics Corp.</b> PPC DIVISION		
0-1		0.15		Part Number: <b>Q-728</b> <span style="border: 1px solid green; padding: 2px;">RoHS Compliant</span>		
1-6		0.20		Description: <b>NEMA 6-20R STRAIGHT BLADE DEVICE</b>		
6-18		0.30		UNIT: mm <span style="float: right;">REV. B</span>		
18-50		0.50		Drawn / Date <span style="float: right;">Checked / Date</span> <span style="float: right;">Approved / Date</span>		
50-120		0.70		R.Nuti <span style="float: right;">02-05-09</span> <span style="float: right;">02-05-09</span> <span style="float: right;">LY / 02-05-09</span>		
120-250		0.90				
250-500		1.20				