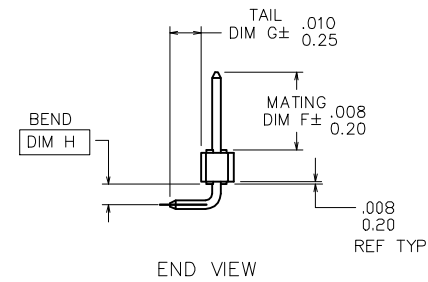
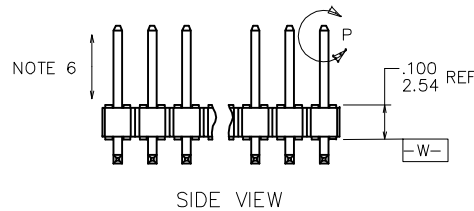
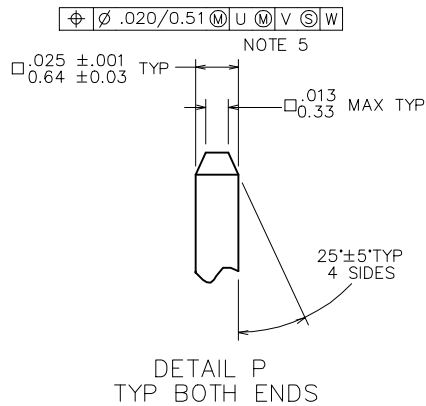
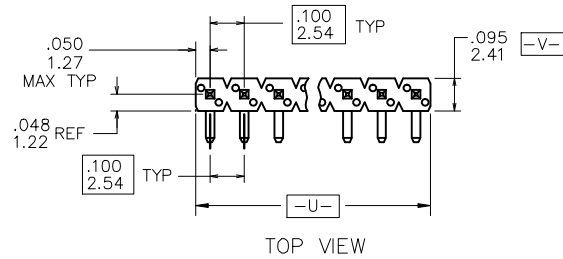


PRODUCT NO.
 XXXXX-YYYTLF

- LEAD FREE OPTION
SEE NOTE 9 & 10
- TUBE PACKAGING OPTION
SEE NOTE 8
- NO OF POSITIONS
SEE NOTE 4
- PLATING NUMBER
SEE SHEET 2
- BASE PART NO.



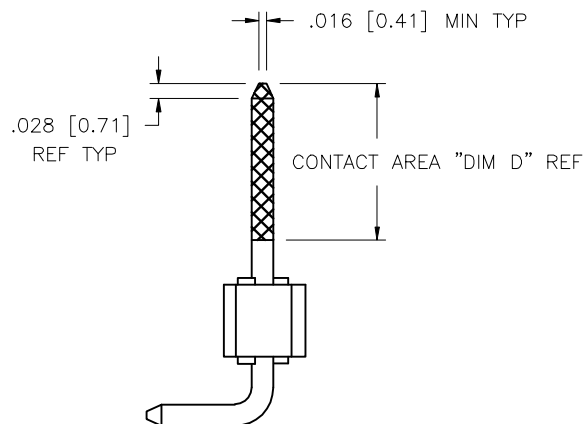
mat'l. code				surface	tolerance	projection	product family
-				ISO 1302	ISO 406 ISO 1101	ISO 1502	BERGSTIK
ltr	ecn no	dr	date	tolerances unless otherwise specified		INCH/MM	title
A	v41425	MSC	9/22/94	angles	.XX±.01/XX±0.3		
B	v61053	EPK	7/31/96	linear	.XXX±.006/XXX±0.13	BERGSTIK® II HEADER DUPLEX	
C	v02539	AZ	10/12/00	$\sigma \pm 2$.XXX±.0020/XXX±0.051	scale	.100/2.54cc SR R/A
D	M05-0118	ERE	6/02/05	dr	T. BREWBAKER	6/03/94	dwg no
E	M06-0270	AEA	7/14/06	engr	T. HANNA	6/03/94	sheet 1 of 3
F	M06-0346	MHT	9/04/06	chr	J. MURPHY	6/03/94	size
G	M08-0291	MHT	10/08/08	appd	T. HANNA	6/03/94	A3
sheet		revision		G	G	G	type
index		sheet		1	2	3	Product Customer Drawing

PLATING NUMBER	CONTACT AREA "DIM. D" (NOTE 3)
XXXX-1YY	30u"/0.76u Au OVER 50u"/1.27u Ni
XXXX-2YY	15u"/0.38u Au OVER 50u"/1.27u Ni

NOTES

1. BODY MATERIAL: GLASS FIBER REINFORCED PCT FLAME RETARDANT PER UL-94V-0. COLOR: BLACK.
OR
MINERAL FILLED LCP FLAME RETARDANT PER UL-94V-0. COLOR: BLACK.
2. PIN MATERIAL: PHOS-BRONZE.
3. FINISH:
CONTACT AREA: SEE TABLE
SOLDER TAIL: 100u"/2.54u TIN OVER 50u"/1.27u Ni

LEAD FREE OPTION:
SOLDER TAIL: 100u"/2.54u TIN OVER 50u"/1.27u Ni
4. ANY NUMBER OF POSITIONS FROM 1 (1X1) THRU 36 (1X36).
5. MEASURED WITH PART IN RESRAINED CONDITION.
6. 2LBS/0.9KG MIN PIN RETENTION IN EITHER DIRECTION.
7. PACKAGED IN POLY BAGS.
8. EIGHT DIGIT PART NUMBERS FOLLOWED BY A "T" ARE PACKAGED IN TUBES. SEE SPECIFIC PART NUMBERS FOR AVAILABILITY.
9. ADD "LF" SUFFIX AT THE END OF PART NUMBER FOR LEAD FREE OPTION.
10. THIS PRODUCT MEETS EUROPEAN UNION DIRECTIVES AND OTHER COUNTRY REGULATION AS DESCRIBED IN GS-22-008.
11. THE HOUSING WILL WITHSTAND EXPOSURE TO 260°C PEAK TEMPERATURE FOR 20 SECONDS IN A CONVECTION, INFRA-RED OR VAPOR PHASE REFLOW OVEN. OR FOR FOR 15 SECONDS IN A WAVE SOLDER APPLICATION WITH A 1.5mm MINIMUM THICK CIRCUIT BOARD. SEE APPLICATION NOTES/PROCEDURES IF THEY ARE AVAILABLE.



Copyright FCI

mat'l. code		surface	tolerance	projection	product family
-		ISO 1302	ISO 406	ISO 1101	BERGSTIK
ltr	ecn no	dr	date	title	
G				BERGSTIK® II HEADER DUPLEX	
tolerances unless otherwise specified				INCH/MM	.100/2.54cc SR R/A
angles	linear			scale	2:1
				FCI	
dr	T. BREWBAKER	6/03/94		dwg no	94647
engr	T. HANNA	6/03/94		sheet	2 of 3
chr	J. MURPHY	6/03/94		size	A3
appd	T. HANNA	6/03/94		type	Product Customer Drawing
sheet	revision				
index	sheet				

PRODUCT NO.	MATING LENGTH		TAIL LENGTH		BEND DIM.		CONTACT AREA		PACKAGING
	DIM F	DIM F	DIM G	DIM G	DIM H	DIM H	DIM D	DIM D	
	ENGLISH	METRIC	ENGLISH	METRIC	ENGLISH	METRIC	ENGLISH	METRIC	
55854-YYY	0.310	7.87	0.250	6.35	0.060	1.52	0.262	6.65	POLY BAGS
94647-YYY	0.230	5.84	0.095	2.41	0.060	1.52	0.185	4.70	POLY BAGS
94651-YYY	0.230	5.84	0.120	3.05	0.060	1.52	0.185	4.70	POLY BAGS
94652-YYY	0.318	8.08	0.107	2.72	0.060	1.52	0.200	5.08	POLY BAGS
94653-YYY	0.318	8.08	0.150	3.81	0.060	1.52	0.200	5.08	POLY BAGS
55854-YYLF	0.310	7.87	0.250	6.35	0.060	1.52	0.262	6.65	POLY BAGS
94647-YYLF	0.230	5.84	0.095	2.41	0.060	1.52	0.185	4.70	POLY BAGS
94651-YYLF	0.230	5.84	0.120	3.05	0.060	1.52	0.185	4.70	POLY BAGS
94652-YYLF	0.318	8.08	0.107	2.72	0.060	1.52	0.200	5.08	POLY BAGS
94653-YYLF	0.318	8.08	0.150	3.81	0.060	1.52	0.200	5.08	POLY BAGS



FCconnect.com

Copyright FCJ

mat'l. code		surface		tolerance		projection		product family	
-		ISO 1302		ISO 406		1st angle		BERGSTIK	
				ISO 1101					
itr		ecp no		dr		date		title	
G								BERGSTIK® II HEADER DUPLEX	
								.100/2.54cc SR R/A	
								scale 2:1	
								dwg no	
								94647	
								sheet 3 of 3 size	
								A3	
								type	
								Product Customer Drawing	
sheet		revision							
index		sheet							

form A3

Mouser Electronics

Authorized Distributor

Click to View Pricing, Inventory, Delivery & Lifecycle Information:

[FCI / Amphenol:](#)

[94647-112](#)