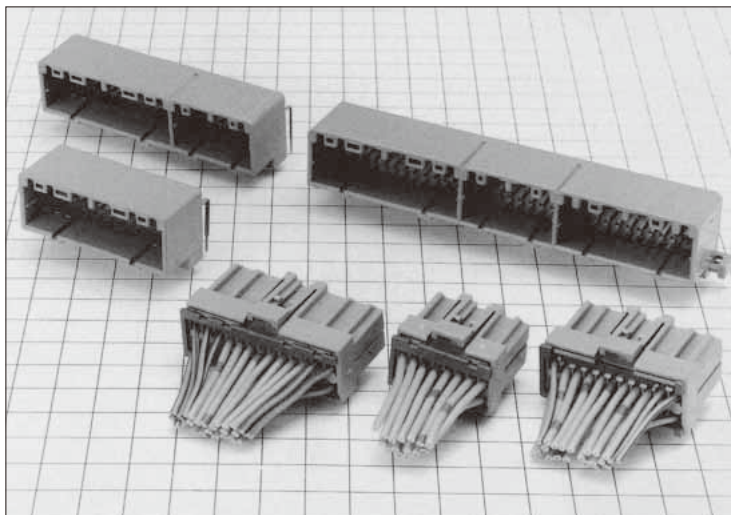


# GT7 Series



## ■ Features

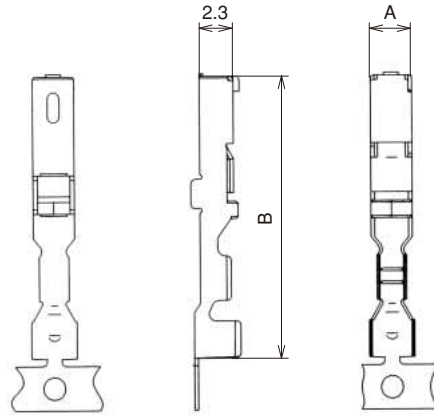
- These automotive crimp terminals are equivalent to 040 and 070 tab width items.
- The contact point of the F connector side has been given a double structure to make these connectors compatible with low insertion force and high contact pressure at the time of coupling.

Interface ConDec 1, 2018 Copyright 2018 HIROSE ELECTRIC CO., LTD. All Rights Reserved.

GT5  
GT13  
GT16  
PO5G  
GT19  
GT21  
GT26  
GT36  
GT11  
GT17  
GT32  
GT3  
GT7  
GT10  
GT18W  
GT25  
GT8E  
GT9  
GT15

## F Connectors

### ● Terminals

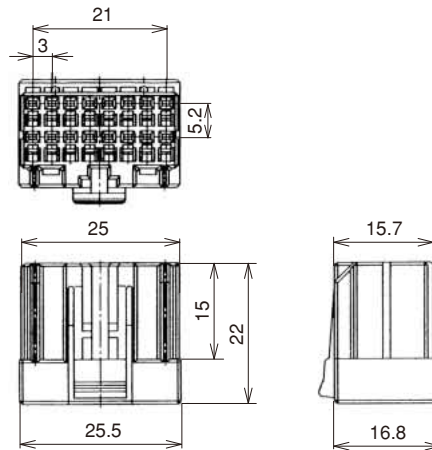
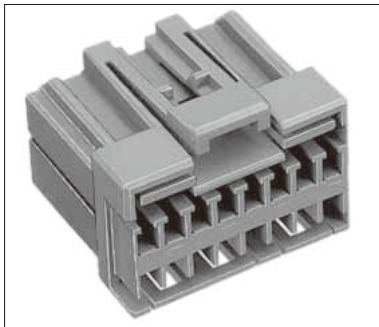


Part No.	HRS No.	Material	Plating	Conductor Size (AWG)	Outer Diameter	A Dimension	B Dimension	Packaging	RoHS
GT7-2022SCF(70)	757-0001-1 70	Copper palloy	Tin plating	20 to 22 AWG	$\phi$ 1.4 to 2.4	2.8	19	5,000 pcs/reel	YES
GT7A-2022SCF(70)	757-0003-7 70				$\phi$ 2.6 to 3.1			3,000 pcs/reel	
GT3-2024SCF(70)	753-0006-0 70			20 to 24 AWG	$\phi$ 1.4 to 2.4	2.3	18.2	5,000 pcs/reel	

Note 1: Sold in reel.

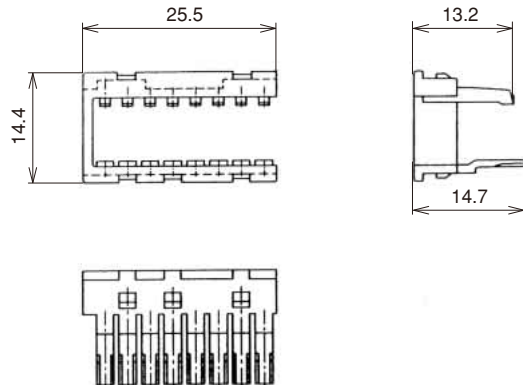
Note 2: This component is used only with applicable HRS housings.

### ● Housing 16 Pos.



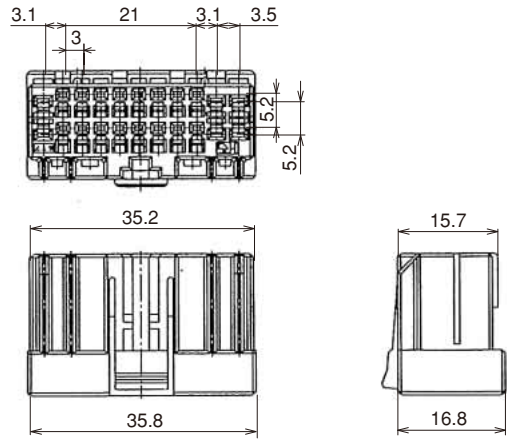
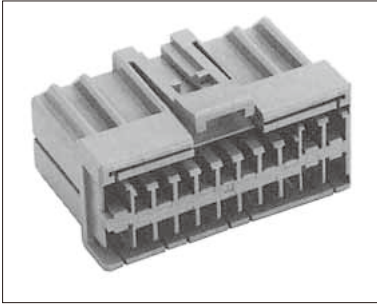
Part No.	HRS No.	Color	Material	Packaging	RoHS
GT7-16DS-HU	757-0008-0	Light Gray	PBT	1	YES

### ● Retainer (Only for GT7-16DS-HU)



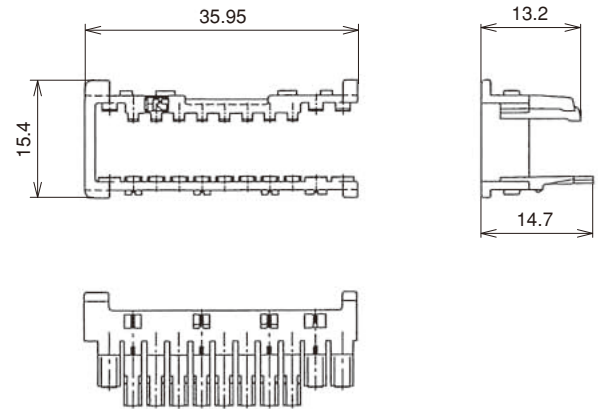
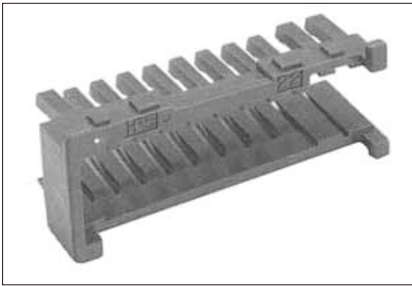
Part No.	HRS No.	Color	Material	Packaging	RoHS
GT7-16R	757-0010-2	Dark Gray	PBT	1	YES

● Housing **22 Pos.**



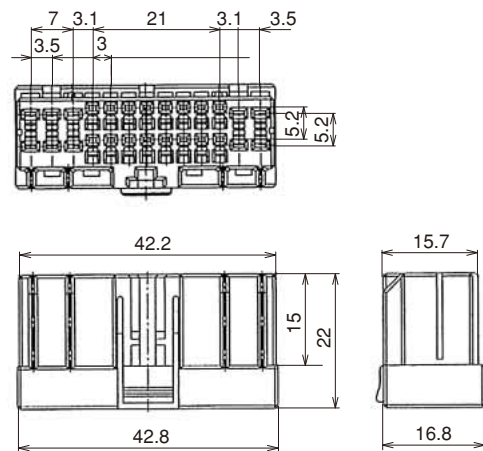
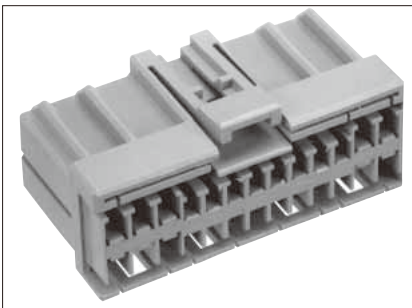
Part No.	HRS No.	Color	Material	Packaging	RoHS
GT7-22DS-HU	757-0015-6	Light Gray	PBT	1	YES

● Retainer (Only for GT7-22DS-HU)



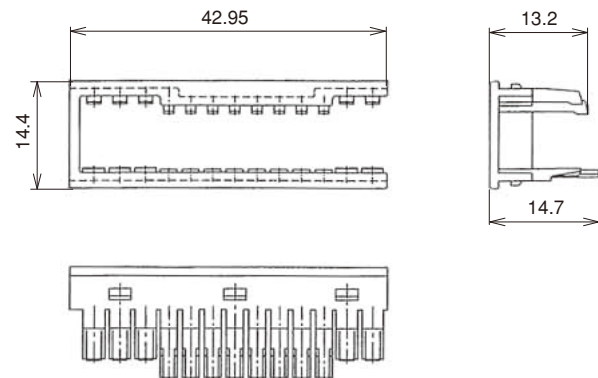
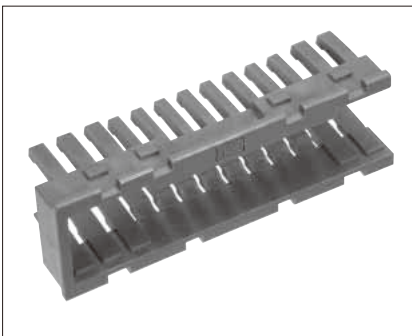
Part No.	HRS No.	Color	Material	Packaging	RoHS
GT7-22R	757-0016-9	Dark Gray	PBT	1	YES

● Housing **26 Pos.**



Part No.	HRS No.	Color	Material	Packaging	RoHS
GT7-26DS-HU	757-0009-3	Light Gray	PBT	1	YES

● Retainer (Only for GT7-26DS-HU)



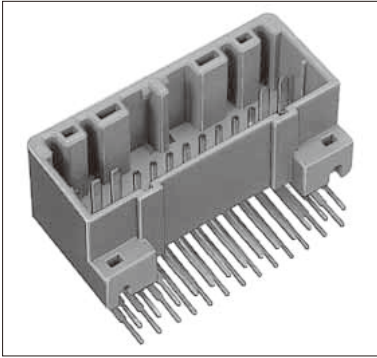
Part No.	HRS No.	Color	Material	Packaging	RoHS
GT7-26R	757-0011-5	Dark Gray	PBT	1	YES

Dec.1.2018 Copyright 2018 HIROSE ELECTRIC CO., LTD. All Rights Reserved.

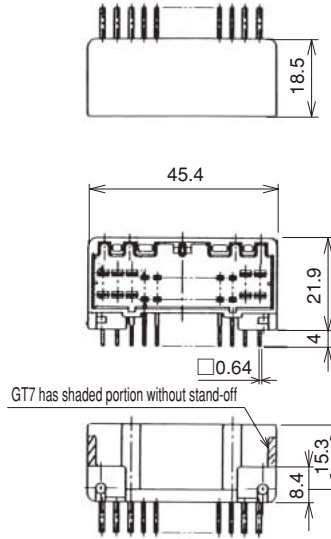
- GT5
- GT13
- GT16
- PO5G
- GT19
- GT21
- GT26
- GT36
- GT11
- GT17
- GT32
- GT3
- GT7**
- GT10
- GT18W
- GT25
- GT8E
- GT9
- GT15

## M Connectors

### ● Board Type **26 Pos.**



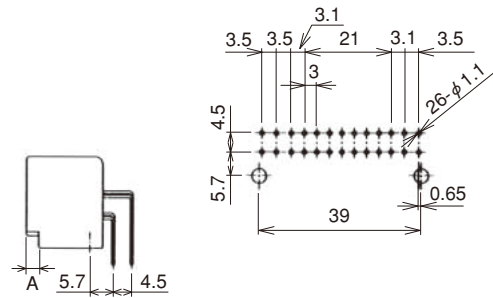
Mates with a 26-pos. F connector.



GT7 has shaded portion without stand-off

### ◆ Recommended PCB pattern

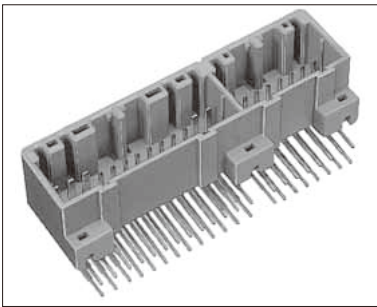
(Tolerance of unmarked values is  $\pm 0.05$ .)



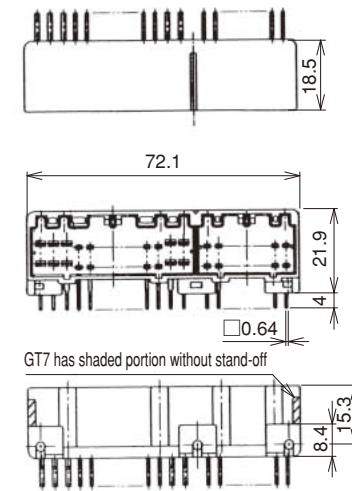
Part No.	HRS No.	Material/Plating or Color	A Dimension	Packaging	RoHS
GT7A-26DP-DS(70)	757-0014-3 70	Housing : PBT / Light Gray	3	1	YES
GT7-26DP-DS(70)	757-0006-5 70	Terminal : Brass / Tin plating	Shaded portion without stand-off		

### ● Board Type / Hybrid Type

#### **42 Pos.** (26pos.+16pos.)



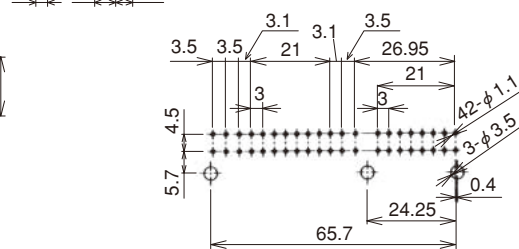
Mates with a 26-pos. + 16-pos. F connector.



GT7 has shaded portion without stand-off

### ◆ Recommended PCB pattern

(Tolerance of unmarked values is  $\pm 0.05$ .)



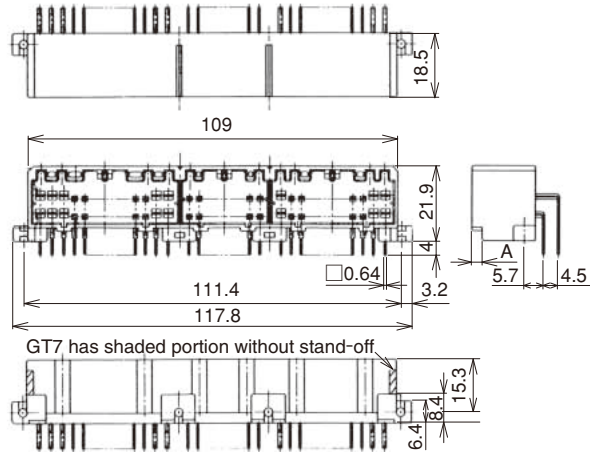
Part No.	HRS No.	Material/Plating or Color	A Dimension	Packaging	RoHS
GT7A-42DP-DS(70)	757-0013-0 70	Housing : PBT / Light Gray	3	1	YES
GT7-42DP-DS(70)	757-0007-8 70	Terminal : Brass / Tin plating	Shaded portion without stand-off		

● Board Type / Hybrid Type

64 Pos.



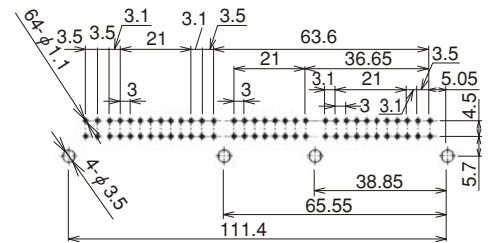
Mates with a 26-pos. + 16-pos. + 22-pos. F connector.



GT7 has shaded portion without stand-off

◆ Recommended PCB pattern

(Tolerance of unmarked values is ± 0.05.)

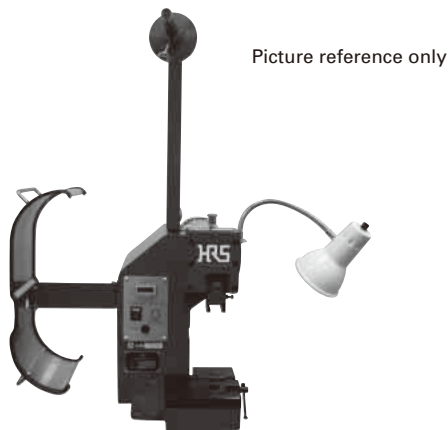


Part No.	HRS No.	A Dimension	Packaging	RoHS
GT7A-64DP-DS(70)	757-0012-8 70	3	1	YES
GT7-64DP-DS(70)	757-0005-2 70	Shaded portion without stand-off		

◆ Crimping tools

User manuals are available. Please ask your Hirose Electric account representative.

Automatic Crimping Machine



Part No. CM-105C

Specifications

Item	Specification	Remarks
Press capacity	1.5ton	
Stroke Length	30mm	
Number of strokes	200spm(50 Hz)	240spm(60 Hz)
Weight	75 kg	
Motor	0.2kw	AC100V
Crimping speed	2,000 to 4,000 pcs/hour	

● Harness tool

Terminal Part No.	Terminal HRS No.	Tool Part No.	Tool HRS No.
GT7-2022SCF(70)	757-0001-1 70	AP 105-GT7-2022	901-5004-9
GT7A-2022SCF(70)	757-0003-7 70	AP 105-GT7A-2022	901-5039-3

\*Crimp height setting tables are available for each cable type.  
Please contact your nearest Hirose Electric account representative.  
Different cables will require different crimp height settings.

# Mouser Electronics

Authorized Distributor

Click to View Pricing, Inventory, Delivery & Lifecycle Information:

## [Hirose Electric:](#)

[GT7-2022PCF\(70\)](#) [GT7A-2022SCF\(70\)](#) [GT7A-2022PCF\(70\)](#) [GT7-2022SCF\(70\)](#) [GT7-26DP-DS\(70\)](#) [GT7-26R](#)  
[GT7A-42DP-DS\(70\)](#) [GT7-16R](#) [GT7-64DP-DS\(70\)](#) [GT7-22R](#) [GT7A-26DP-DS\(70\)](#) [GT7-26DS-HU](#) [GT7-42DP-DS\(70\)](#)  
[GT7A-64DP-DS\(70\)](#) [GT7-22DS-HU](#) [GT7RA-2022SC](#) [GT7-16DS-HU](#)