

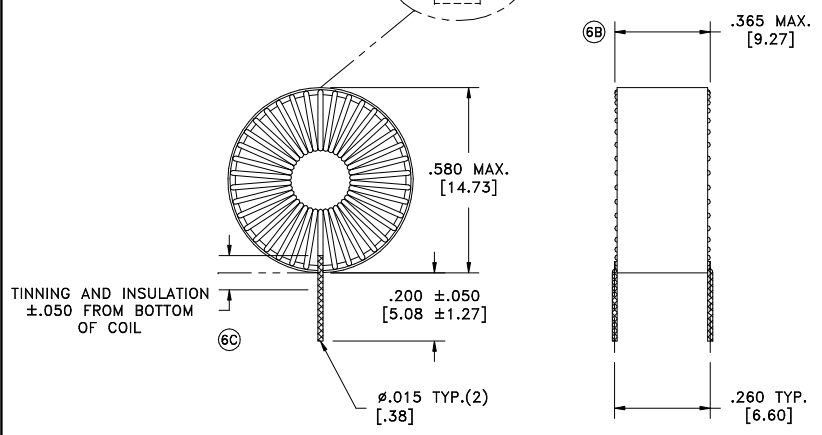
CUSTOMER TERMINAL	RoHS	LEAD(Pb)-FREE
Sn96%, Ag4%	Yes	Yes

more than you expect



WE-MIDCOM
750311431

LOT CODE & DATE CODE

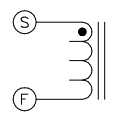


ELECTRICAL SPECIFICATIONS @ 25°C unless otherwise noted:

PARAMETER	TEST CONDITIONS	TEST CONDITIONS	VALUE
6B D.C. RESISTANCE	S-F	@20°C	0.57 ohms max.
INDUCTANCE	S-F	100kHz, 100mVAC, Ls	750uH ±20%

GENERAL SPECIFICATIONS:
CURRENT RATING: 250mADC.

6D It is recommended that the 750311431 Inductor be secured to the PCB with epoxy.



DETAILS SUBJECT TO CHANGE

REV.	DATE	Packaging Specifications	 CONVENTION PLACEMENT	Tolerances unless otherwise specified: Angles: ±1° Decimals: ±.005 [.13] Fractions: ±1/64 Footprint:	DRAWING TITLE INDUCTOR	PART NO. 750311431
6D	4/11	Method: Tray				
6C	12/10	PKG-0788	This drawing is dual dimensioned. Dimensions in brackets are in millimeters.	eiSos p/n: 750311431		SPECIFICATION SHEET 1 OF 1
6B	6/10	www.we-online.com/midcom				
6A	4/10	SEE REVISION SHEET FOR REVISION LEVEL				

Mouser Electronics

Authorized Distributor

Click to View Pricing, Inventory, Delivery & Lifecycle Information:

[Wurth Electronics:](#)

[750311431](#)