

PART NAME

PLASTIBOX (STYLE F)

PART No.

PS-11521

MATERIAL: HIGH-IMPACT ABS
COLOR: BLACK OR GRAY
FINISH: TEXTURED BODY WITH
SMOOTH TOP INSERT

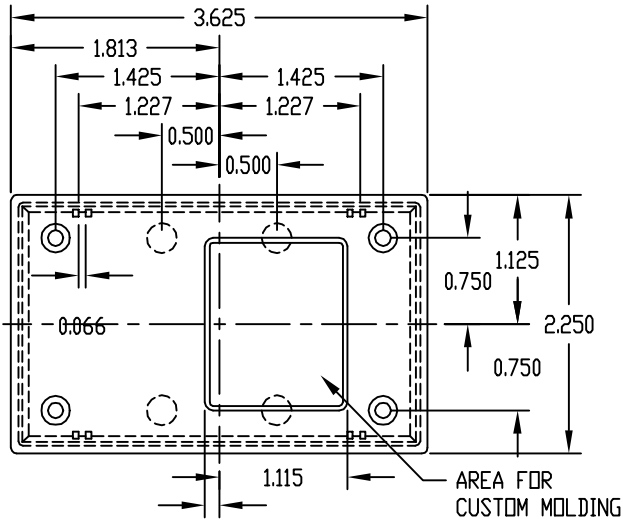
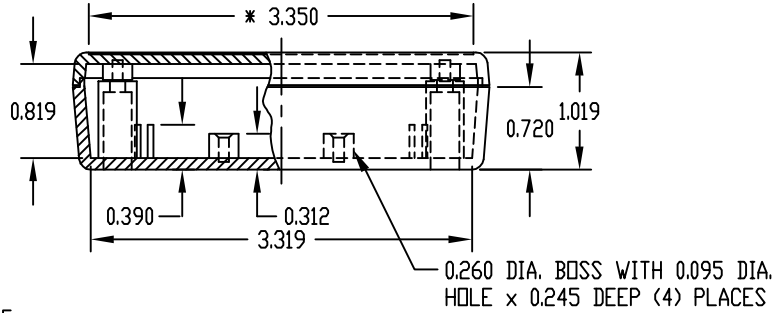
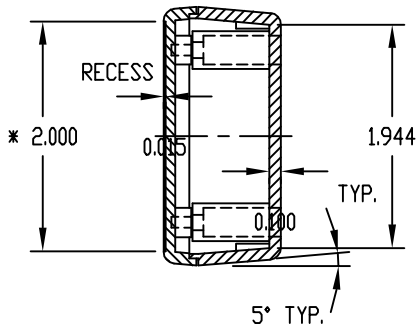
FOUR (4) #4 x 1/4 LG. SCREWS
SUPPLIED FOR ASSEMBLING TOP.

FOUR (4) NON-SKID PUSH-ON FEET SUPPLIED

*-USABLE AREA ON TOP ALSO
AVAILABLE FOR CUSTOM MOLDING.

NOTE: ALL DIMENSIONS HAVE ±0.015 TOLERANCE
UNLESS OTHERWISE SPECIFIED.

MOUNTING BOSSSES USE EITHER M2.5 METRIC
OR #4 STD. SHEET METAL SCREWS
x 3/16 LG. (NOT SUPPLIED)



PART NAME

PLASTIBOX (STYLE F) W/BATTERY COMPARTMENT

PART No.

0.125

PBS-11532

MATERIAL: HIGH-IMPACT ABS
COLOR: BLACK OR GRAY
FINISH: TEXTURED BODY WITH
SMOOTH TOP INSERT

9V BATTERY
COMPARTMENT

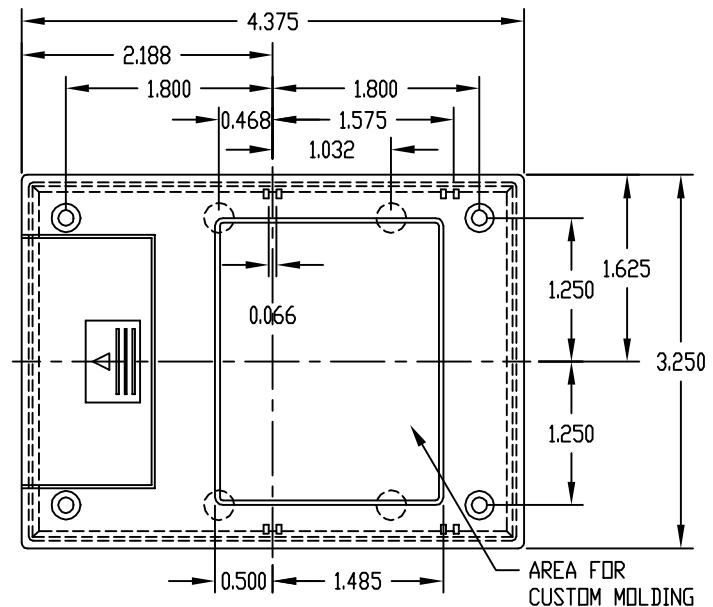
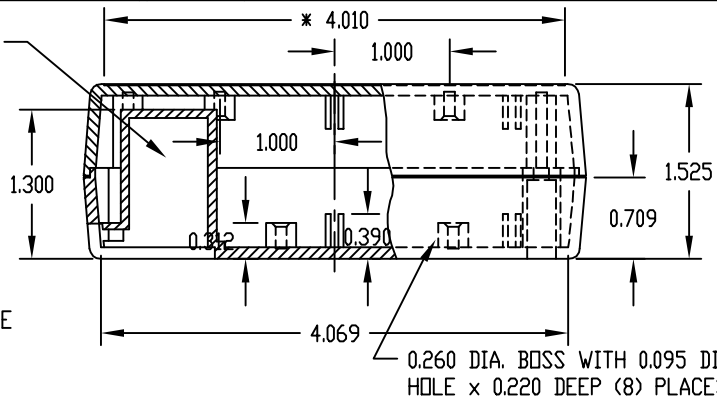
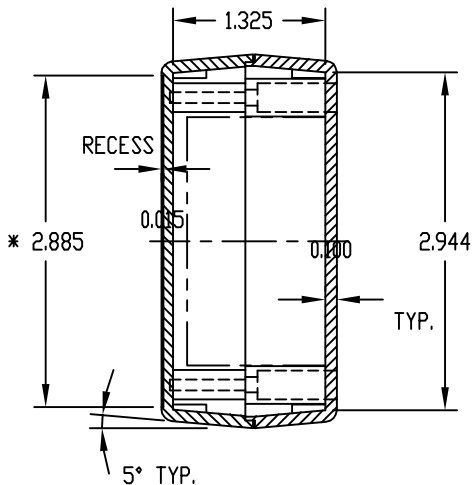
FOUR (4) M3 x 9.2mm LG. SCREWS
SUPPLIED FOR ASSEMBLING TOP.

FOUR (4) NON-SKID PUSH-ON FEET SUPPLIED

*-USABLE AREA ON TOP ALSO
AVAILABLE FOR CUSTOM MOLDING.

NOTE: ALL DIMENSIONS HAVE ±0.015 TOLERANCE
UNLESS OTHERWISE SPECIFIED.

MOUNTING BOSSSES USE EITHER M2.5 METRIC
OR #4 STD. SHEET METAL SCREWS
x 3/16 LG. (NOT SUPPLIED)



REVISED 1-21-09

Mouser Electronics

Authorized Distributor

Click to View Pricing, Inventory, Delivery & Lifecycle Information:

[Bud Industries:](#)

[PBS-11532-G](#) [PS-11521-G](#) [PS-11521-B](#)