

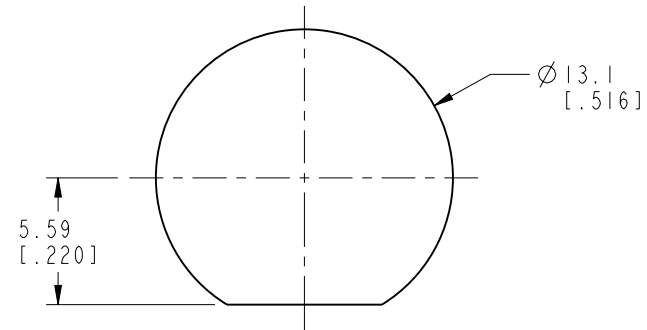
NOTES:

1. MATERIALS AND FINISHES:
 BODY - BRASS, NICKEL PLATING
 CONTACT - BERYLLIUM COPPER, SILVER PLATING
 INSULATOR - PTFE, NATURAL
2. ELECTRICAL:
 A. IMPEDANCE: 50 OHM
 B. DIELECTRIC WITHSTANDING VOLTAGE: 1500 VRMS, MIN.
3. MECHANICAL:
 A. DURABILITY: 500 CYCLES MIN.
 B. TEMPERATURE RANGE: -65° C TO +165° C
4. PACKAGING:
 A. QUANTITY: SINGLE PACK
 B. MARKING: BAG TO BE MARKED
 "AMPHENOL RF, 31-220H , AND DATE CODE"

THIRD ANGLE PROJ.

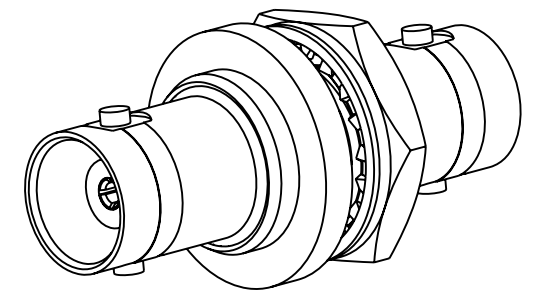
REVISIONS

REV	DESCRIPTION	DATE	ECO	APPR
A	OFFICIAL ENG. RELEASE	7/3/90	37256	DR
T	UPDATE PLATE CODES, NOTE 10 WAS SOFT SOLDER	1/20/06	45402	DR
U	REDRAWN IN PRO-E/RD-DM11021001R3/	16-Feb-11	48491	RM
V	STAMP "AMPHENOL" WAS "74868"\RD-DM1120601R3	26-Dec-11	48844	SH

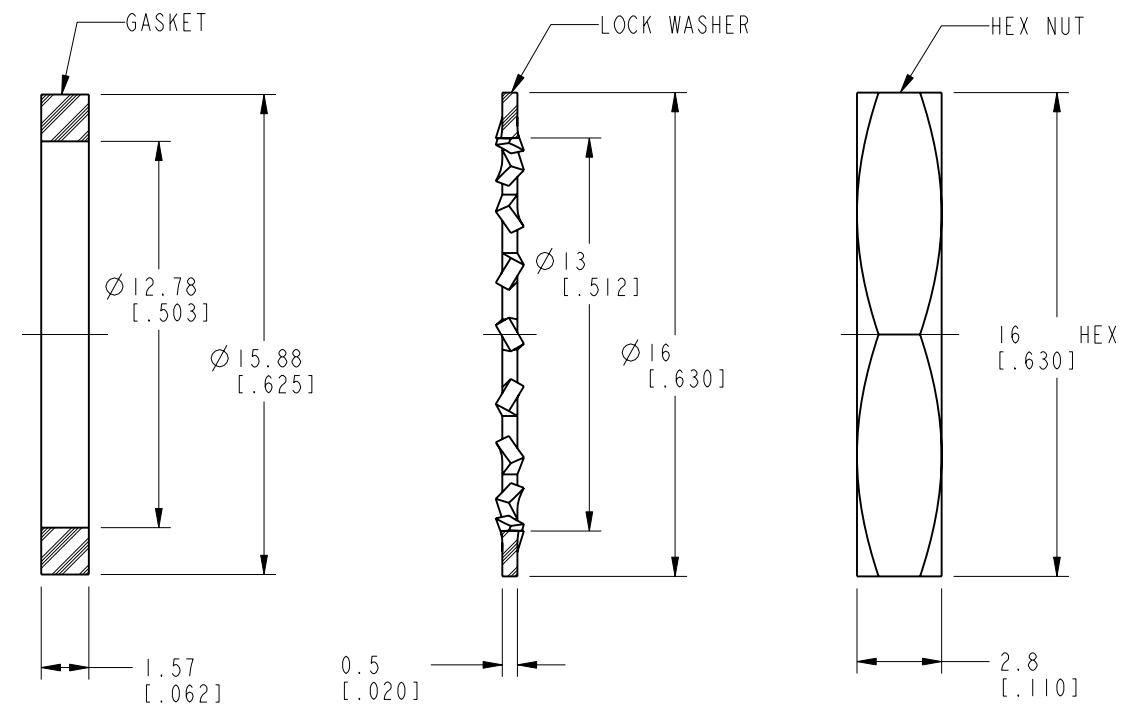
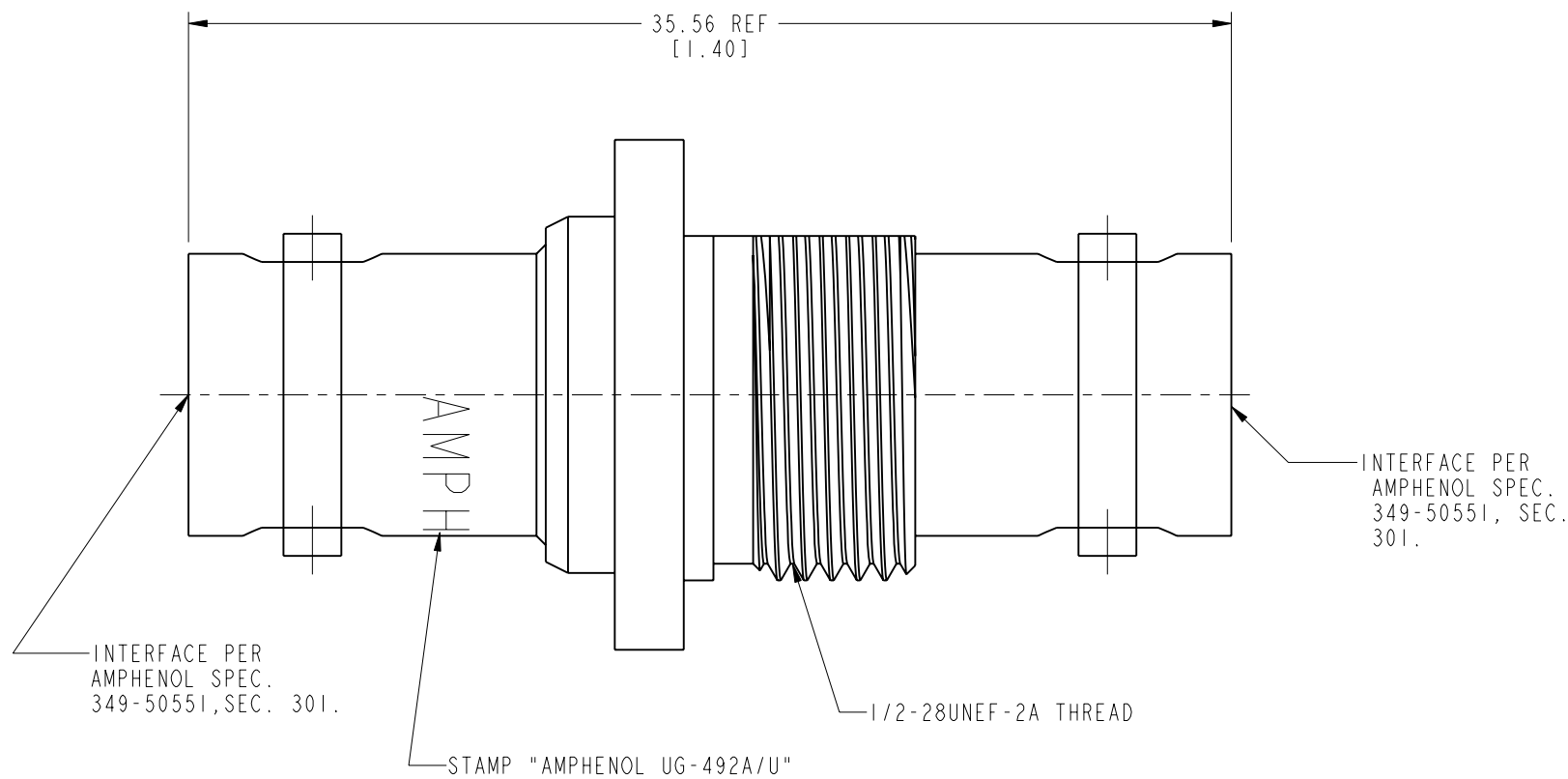


SCALE 3.000

RECOMMENDED MOUNTING HOLE DIMENSIONS



SCALE 2.000



CUSTOMER OUTLINE DRAWING

ALL OTHER SHEETS ARE FOR INTERNAL USE ONLY

UNLESS OTHERWISE SPECIFIED, DIMENSIONS ARE IN METRIC AND TOLERANCES ARE: <0.5mm ±0.05mm 0.5 - 6mm ±0.1mm 6 - 30mm ±0.2mm 30 - 120mm ±0.3mm ANGLES ±1°	MATERIAL	DRAWN R. MAO	DATE 12-Dec-11	TITLE BNC ADAPTOR PRESSURIZED UG-492A/U		Amphenol RF Danbury CT USA, Tainan, Taiwan, Shenzhen, China www.amphenolrf.com	
	REFERENCE EAR # AND CONFIGURATION LEVEL:	ENGINEER D. ROYCE	DATE 03-Jul-90				
NOTICE - These drawings, specifications, or other data (1) are, and remain the property of Amphenol corp. (2) must be returned upon request; and (3) are confidential and not to be disclosed to any person other than those to whom they are given by Amphenol Corp. the furnishing of these drawings, specifications, or other data by Amphenol Corp., or to any other person to anyone for any purpose is not to be regarded by implication or otherwise in any manner licensing, granting rights to permitting such holder or any other person to manufacture, use or sell any product, process or design, patented or otherwise, that may in any way be related to or disclosed by said drawings, specifications, or other data.	FINISH	CAD FILE		SCALE: 4.0:1.0	SHEET 2 OF 2	ITEM NO. 31-220H	PART NO. 31-220H
					DWG SIZE B	REV V	

Mouser Electronics

Authorized Distributor

Click to View Pricing, Inventory, Delivery & Lifecycle Information:

Amphenol:

[31-218](#) [31-220H](#) [31-220N-RFX](#) [31-4891-1](#) [031-9](#) [031-219-RFX](#) [031-220N](#) [000-47000](#) [031-4803](#) [031-70020](#) [031-209](#) [000-4525](#) [031-218](#) [031-4891-1](#) [031-220N-RFX](#) [031-9-RFX](#) [031-3220](#) [031-220N-75RFX](#) [031-9-75](#) [031-4803-RFX](#) [031-9-75RFX](#) [031-220H](#) [031-220G-RFX](#)