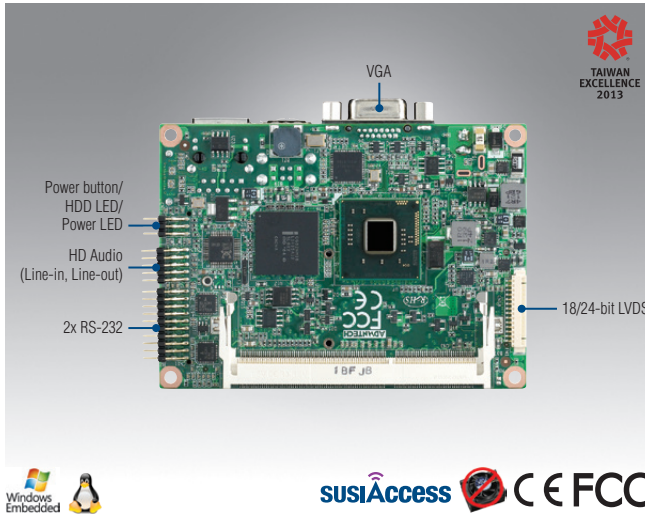


MIO-2261

Intel® Atom™ N2600/ N2800 Pico-ITX SBC, DDR3, 18/24-bit LVDS, VGA, 1 GbE, Half-size Mini PCIe, 4 USB, 2 COM, SMBus/I²C, mSATA & MIOe



Features

- Embedded Intel® Atom™ Dual-Core processor N2600/ N2800 + Intel NM10, 1 x DDR3 memory support up to 4 GB
- DirectX 9, Dual Independent display: 18/24-bit LVDS + VGA
- Flexible design using integrated multiple I/O: MIOe to approach vertical applications & keep domain knowhow
- Intel GbE support, Rich I/O interface with 2 COM, 1 SATA, 4 USB 2.0, GPIO, SMBus, mSATA, and MIOe expansion interface
- Supports SUSIAccess and Embedded Software APIs

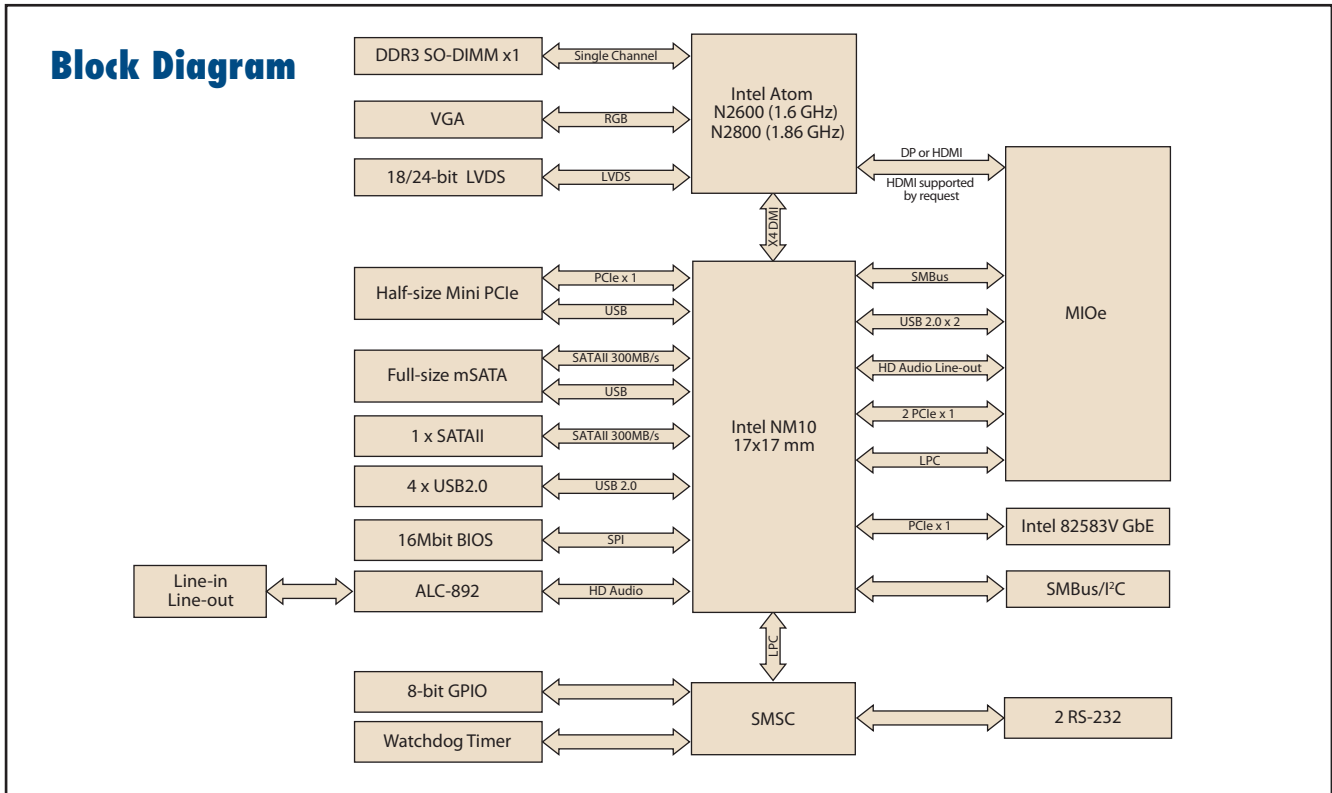
Software APIs:

Utilities:

Specifications

| | | |
|--------------------------|--------------------------------------|---|
| Processor System | CPU | Intel Atom Dual-Core N2600 1.6 GHz/ N2800 1.86 GHz |
| | Frequency | Dual Core 1.6 GHz/ 1.86 GHz |
| | L2 Cache | 1 MB |
| | System Chipset | Intel Atom N2600/ N2800 + Intel NM10 |
| Memory | BIOS | AMI EFI 16 Mbit |
| | Technology | DDR3 800 MHz (N2600), DDR3 1066 MHz (N2800) |
| | Max. Capacity | 4 GB |
| | Socket | 1 x 204-pin SODIMM |
| Display | Controller | Integrated Intel GMA 3600 Series |
| | Graphic Engine | DirectX 9 and OpenGL3.0 support HW Accelerated Decode: MPEG2, H.264, VC-1 |
| | LVDS | 18/24-bit LVDS1: up to 1366 x 768 |
| | VGA | Up to 1920 x 1200 |
| Ethernet | Dual Display | VGA+LVDS |
| | Speed | 10/100/1000Mbps |
| | Controller | Intel 82583V |
| Audio | Connector | RJ45 |
| | Chipset | Realtek ALC892, High Definition Audio (HD), Line-in, Line out |
| WatchDog Timer | | Output System reset, Programmable counter from 1 ~ 255 minutes/ seconds |
| Storage | mSATA | 1 (Integrates USB signal, supports either mSATA or USB interface module) |
| | SATA | 1, up to 3Gb/s (300MB/s) |
| Rear I/O | Ethernet | 1 |
| | VGA | 1 |
| | USB | 2 x USB 2.0 |
| | DC Power Jack* | 1 |
| Internal I/O | USB | 2 x USB 2.0 |
| | Serial | 2 x RS-232(ESD protection for RS-232: Air gap ±15kV, Contact ±8kV) |
| | I ² C* | 1 (Shares with SMBus pin, supported by request) |
| | SMBus | 1 |
| Expansion | GPIO | 8-bit general purpose input/output |
| | Mini PCI Express | 1 x Half-size |
| | MIOe | SMBus, 2 x USB2.0, LPC, 2 x PCIe x1, line out, DisplayPort/HDMI*, +5 Vsb/+12 Vsb power, Power On, Reset |
| Power | Power Type | Single 12V DC power input (Supports DC power hot plug) |
| | Power Supply Voltage | Supports single 12V input, ± 10% |
| | Total peripheral power supply output | 5V @ 3A for CPU board and MIOe module totally, 12V @ 2A for MIOe module |
| | Power Consumption (Typical) | N2600: 0.35 A @ 12 V (4.2 W) N2800: 0.46 A @ 12 V (5.52 W) |
| | Power Consumption (Max, test in HCT) | N2600: 0.76 A @ 12 V (9.12 W) N2800: 0.80 A @ 12 V (9.6 W) |
| Environment | Power Management | ACPI |
| | Battery | 3 V / 210 mA |
| | Operation | 0 ~ 60° C (32 ~ 140° F) (Operational humidity: 40° C @ 95% RH Non-Condensing) |
| Physical Characteristics | Non-Operation | -40° C ~ 85° C and 60° C @ 95% RH non-condensing |
| | Dimensions (L x W) | 100 x 72 mm (3.9" x 2.8") |
| | Weight | 0.48 kg (1.06 lb), weight of total package |
| | Total Height | Top Side: 15.65 mm (including heatsink); Bottom Side: 16.4 mm; PCB: 1.6 mm |

* The specification is supported by request



Ordering Information

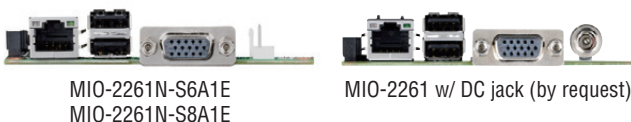
| Part No. | CPU | L2 Cache | Memory | LVDS | GbE | HD Audio | VGA | USB 2.0 | RS-232 | mSATA | SATAII | MIOe | Mini PCIe | Power Connector | Thermal Solution | Operational Temp |
|-------------------|------------------------|----------|------------|-----------|-----|----------|-----|---------|--------|-------|--------|------|-----------|-----------------|------------------|------------------|
| MIO-2261N-S6A1E | Intel Atom N2600 1.6G | 1MB | SO-DIMM | 18/24-bit | 1 | Yes | Yes | 4 | 2 | Yes | 1 | Yes | Half-size | 2x2 type | Passive | 0 ~ 60° C |
| MIO-2261N-S8A1E | Intel Atom N2800 1.86G | 1MB | SO-DIMM | 18/24-bit | 1 | Yes | Yes | 4 | 2 | Yes | 1 | Yes | Half-size | 2x2 type | Passive | 0 ~ 60° C |
| MIO-2261Z-2GS6A1E | Intel Atom N2600 1.6G | 1MB | 2GB bundle | 18/24-bit | 1 | Yes | Yes | 4 | 2 | Yes | 1 | Yes | Half-size | 2x2 type | Passive | -20 ~ 80° C |
| MIO-2261Z-2GS6A1E | Intel Atom N2600 1.6G | 1MB | 2GB bundle | 18/24-bit | 1 | Yes | Yes | 4 | 2 | Yes | 1 | Yes | Half-size | 2x2 type | Passive | -40 ~ 85° C |
| MIO-2261Z-2GS8A1E | Intel Atom N2800 1.86G | 1MB | 2GB bundle | 18/24-bit | 1 | Yes | Yes | 4 | 2 | Yes | 1 | Yes | Half-size | 2x2 type | Passive | -40 ~ 85° C |

Note: Passive = fanless; Active = with fan

Packing List

| Part No. | Description | Quantity |
|----------------|---|----------|
| | MIO-2261 SBC | 1 |
| | Startup Manual | 1 |
| | Utility CD | 1 |
| 1700006291 | SATA Cable 30cm | 1 |
| 1700019656 | SATA power cable 5P-1.25/5P-2.0+SATA 5P 15 cm | 1 |
| 1701200220 | RS-232 x 2 ports 2.0 mm pitch 22 cm | 1 |
| 1700019156 | Audio cable 2.0 mm pitch 20 cm (line in & line out) | 1 |
| 1700002172 | USB cable 2.0mm pitch USB-A(F) 17cm | 1 |
| 1700019705 | AT Power cable 12cm | 1 |
| 9666226000E | Screw and stud pack (1 screw for Mini PCIe, 4 M3 studs and screws for heatsink) | 1 |
| 1960055792T001 | Heatsink (99.5 x 70.5 x 15.7 mm) | 1 |

Rear I/O view



Optional Accessories

| Part No. | Description |
|----------------|--|
| 1960055791T001 | MIO-2261 Heat spreader (99.5 x 70.5 x 15.7 mm) |

Embedded OS/API

| Embedded OS/API | Part Number | Description |
|-----------------------------|-------------|---|
| WinCE 7.0 | 2070012214 | WEC7 V1.0 ENG |
| Windows Embedded Standard | | WES 2009 (graphic driver support by case) |
| Windows Embedded Standard 7 | 2070011558 | WES7E MIO-2261 V5.1.4 EN/DE/JP/TC |
| | 2070011559 | WES7P MIO-2261 V5.1.3 EN/TC/SC/RU/FR/DE/ES/IT/JP/KR |
| VxWorks | | 6.9.2 |
| Linux | | Ubuntu 12.04 (graphic driver support by case) |
| Software API | | SUSI V3.0 |

Mouser Electronics

Authorized Distributor

Click to View Pricing, Inventory, Delivery & Lifecycle Information:

[Advantech:](#)

[MIO-2261N-S6A1E](#) [MIO-2261Z2-2GS8A1E](#) [MIO-2261N-S8A1E](#) [MIO-2261Z-2GS6A1E](#) [MIO-2261Z2-2GS6A1E](#)